

# PRODUCT INFORMATION PACKET



Model No: CI42D17FT6C

Catalog No: 098065.00

...18KW-1/4HP..1800RPM.71.IP54.24V...S1.40C.1,0SF.SPECIAL.CI42D17FT6C.....

Metric Motors



Regal and Leeson are trademarks of Regal Beloit Corporation or one of its affiliated companies.

©2018 Regal Beloit Corporation, All Rights Reserved. MC017097E





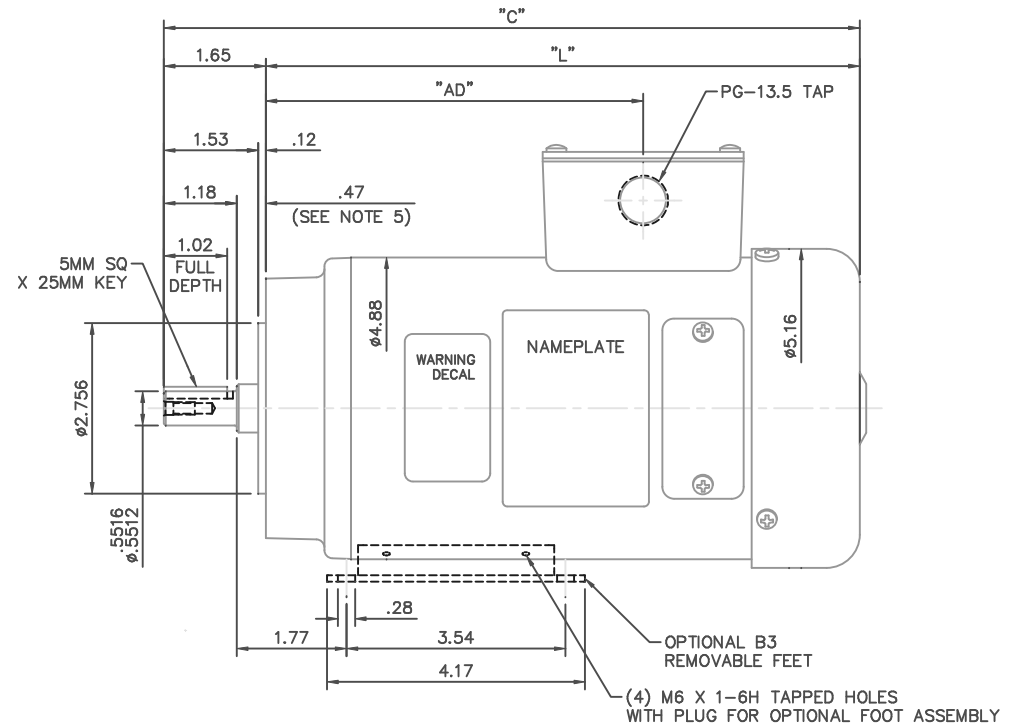
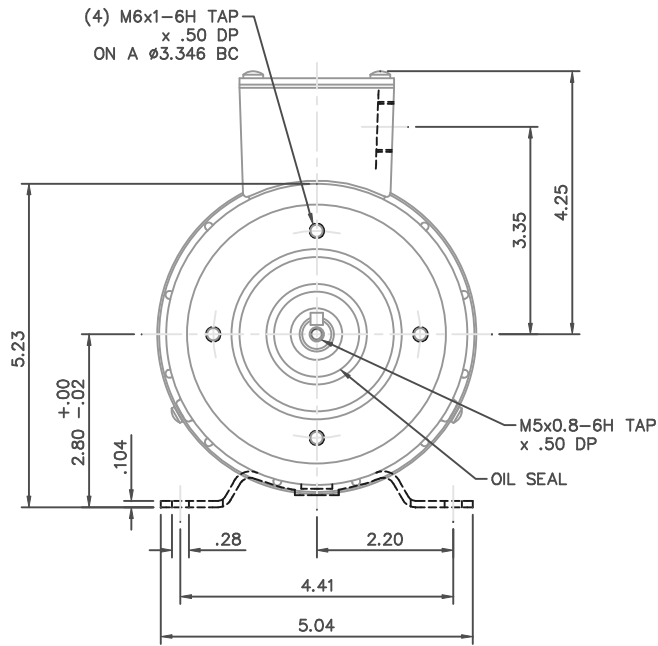
### Nameplate Specifications

Output KW	<b>0.18 kW</b>	Voltage	<b>24 V</b>
Current	<b>11.0 A</b>	Speed	<b>1800 rpm</b>
Service Factor	<b>1</b>	Efficiency	<b>67.5 %</b>
Duty	<b>S1</b>	Insulation Class	<b>F</b>
Frame	<b>71</b>	Enclosure	<b>IP54</b>
Overload Protector	<b>No</b>	Ambient Temperature	<b>40 °C</b>
Drive End Bearing Size	<b>6204</b>	Opp Drive End Bearing Size	<b>6203</b>
UL	<b>Recognized</b>	CSA	<b>Y</b>
CE	<b>N</b>		

### Technical Specifications

Rotation	<b>Reversible</b>	Mounting	<b>Special</b>
Overall Length	<b>10.77 in</b>	Frame Length	<b>6.00 in</b>
Shaft Diameter	<b>0.562 in</b>	Shaft Extension	<b>1.65 in</b>
Outline Drawing	<b>027790-K71</b>		

This is an uncontrolled document once printed or downloaded and is subject to change without notice. Date Created: 10/15/2018



NOTES:

1. MAXIMUM FACE RUNOUT TO BE .004 T.I.R.
2. MAXIMUM PILOT ECCENTRICITY .004 T.I.R
3. PERMISSIBLE SHAFT RUNOUT .002 T.I.R.
4. GASKETS THROUGHOUT.
5. DIMENSION IS SPACED PROVIDED FOR A BOLT-ON B5 OR B14 ADAPTER KIT FOR THE IEC 71 FRAME.

N71	12.27	10.62	7.12	W71	15.27	13.62	10.12
M71	11.77	10.12	6.62	V71	14.77	13.12	9.62
L71	11.27	9.62	6.12	U71	14.27	12.62	9.12
K71	10.77	9.12	5.62	T71	13.77	12.12	8.62
J71	10.27	8.62	5.12	R71	13.27	11.62	8.12
H71	9.77	8.12	4.62	P71	12.77	11.12	7.62
FRAME	"C"	"L"	"AD"	FRAME	"C"	"L"	"AD"

				TOLERANCES UNLESS SPECIFIED		ELECTRIC MOTORS GEARMOTORS AND DRIVES		DRAWN IPG 7/23/01	
				DEC.	INCHES	LEESON		CHK	
04	CHANGED TO MYLAR NAMEPLATE PER ISAAC 08-2461.	RPB	12/18/08	BC	.X	±.1	TITLE		APPD SAD 7/23/01
03	FIXED FAN SCREW ORIENTATION PER ECR 82153	BPW	04/21/03	SAD	.XX	±.03	OITLINE		SCALE 1=2
02	ADDED MILLIMETERS TO KEY DIM ECR 78384	SAD	11/9/01	IPG	.XXX	±.005	42 FRAME DC - IEC 71		REF 027543.00
01	REDRAWN AND DIM PER ECR 73376 EFF. IMMED.	CRK	9/12/01	CRK	.XXXX	±.0005	FINISH		FMF
NO.	REVISION	BY & DATE		CHK	ANG	±1/2'	PREV		
THIS DRAWING IN DESIGN AND DETAIL IS OUR PROPERTY AND MUST NOT BE USED EXCEPT IN CONNECTION WITH OUR WORK ALL RIGHTS OF DESIGN AND INVENTION ARE RESERVED THIS IS AN ELECTRONICALLY GENERATED DOCUMENT - DO NOT SCALE THIS PRINT				RFP	CAD FILE	027790	SIZE	DRAWING NO.	REV.
				DIST			B	027790.00	04