

PRODUCT INFORMATION PACKET



Model No: CI42D34FT7C

Catalog No: 098066.00

...37KW-1/2HP..3000RPM.71.IP54.24V...S1.40C.1,0SF.SPECIAL.CI42D34FT7C.....

Metric Motors



Regal and Leeson are trademarks of Regal Beloit Corporation or one of its affiliated companies.

©2018 Regal Beloit Corporation, All Rights Reserved. MC017097E





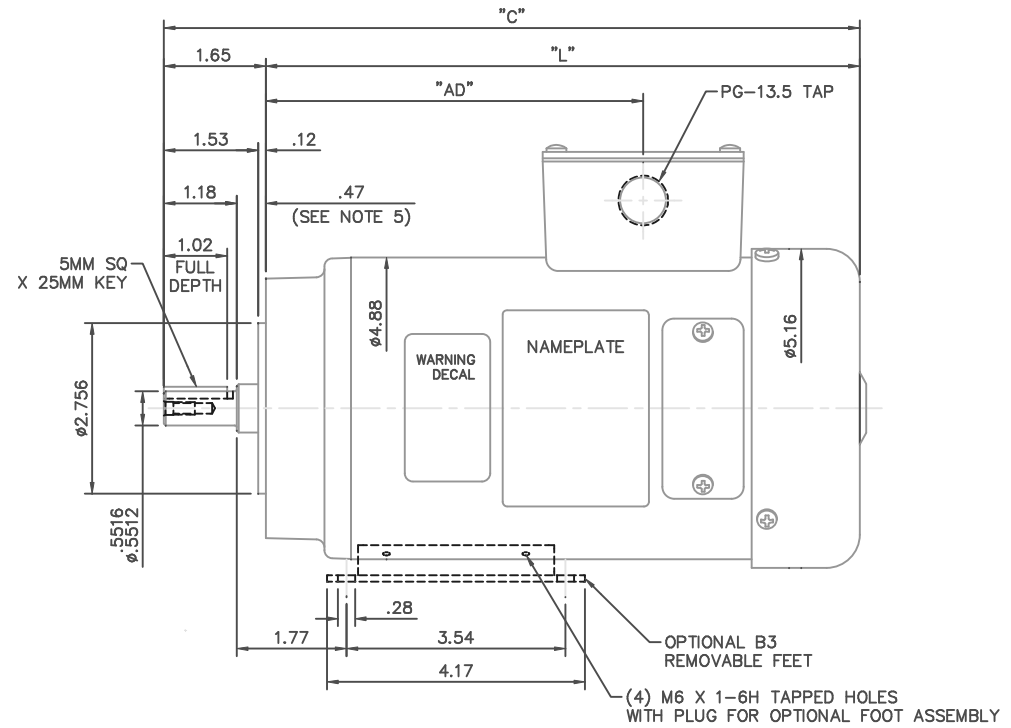
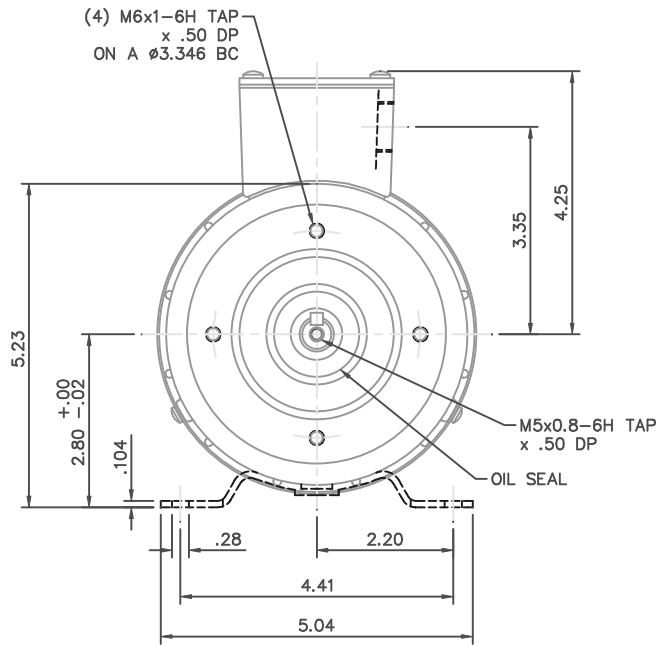
Nameplate Specifications

Output KW	0.37 kW	Voltage	24 V
Current	20.0 A	Speed	3000 rpm
Service Factor	1	Efficiency	72.2 %
Duty	S1	Insulation Class	F
Frame	71	Enclosure	IP54
Overload Protector	No	Ambient Temperature	40 °C
Drive End Bearing Size	6204	Opp Drive End Bearing Size	6203
UL	Recognized	CSA	Y
CE	N		

Technical Specifications

Rotation	Reversible	Mounting	Special
Overall Length	11.27 in	Frame Length	6.50 in
Shaft Diameter	0.562 in	Shaft Extension	1.65 in
Outline Drawing	027790-L71		

This is an uncontrolled document once printed or downloaded and is subject to change without notice. Date Created: 10/15/2018



- NOTES:
1. MAXIMUM FACE RUNOUT TO BE .004 T.I.R.
 2. MAXIMUM PILOT ECCENTRICITY .004 T.I.R
 3. PERMISSIBLE SHAFT RUNOUT .002 T.I.R.
 4. GASKETS THROUGHOUT.
 5. DIMENSION IS SPACED PROVIDED FOR A BOLT-ON B5 OR B14 ADAPTER KIT FOR THE IEC 71 FRAME.

N71	12.27	10.62	7.12	W71	15.27	13.62	10.12
M71	11.77	10.12	6.62	V71	14.77	13.12	9.62
L71	11.27	9.62	6.12	U71	14.27	12.62	9.12
K71	10.77	9.12	5.62	T71	13.77	12.12	8.62
J71	10.27	8.62	5.12	R71	13.27	11.62	8.12
H71	9.77	8.12	4.62	P71	12.77	11.12	7.62
FRAME	"C"	"L"	"AD"	FRAME	"C"	"L"	"AD"

NO.	REVISION	BY & DATE	CHK	ANG	FINISH	TOLERANCES UNLESS SPECIFIED			DRAWN		
						DEC.	INCHES				
04	CHANGED TO MYLAR NAMEPLATE PER ISAAC 08-2461.	RPB 12/18/08	BC	.X	±.1	ELECTRIC MOTORS GEARMOTORS AND DRIVES	IPG	7/23/01			
03	FIXED FAN SCREW ORIENTATION PER ECR 82153	BPW 04/21/03	SAD	.XX	±.03		CHK				
02	ADDED MILLIMETERS TO KEY DIM ECR 78384	SAD 11/9/01	IPG	.XXX	±.005		APPD	SAD 7/23/01			
01	REDRAWN AND DIM PER ECR 73376 EFF. IMMED.	CRK 9/12/01	CRK	.XXXX	±.0005		TITLE	SCALE 1=2			
							REF	027543.00			
						MAT'L	FMF				
							PREV				
THIS DRAWING IN DESIGN AND DETAIL IS OUR PROPERTY AND MUST NOT BE USED EXCEPT IN CONNECTION WITH OUR WORK ALL RIGHTS OF DESIGN AND INVENTION ARE RESERVED THIS IS AN ELECTRONICALLY GENERATED DOCUMENT - DO NOT SCALE THIS PRINT						RFP	CAD FILE	027790	SIZE	DRAWING NO.	REV.
						DIST			B	027790.00	04