

PRODUCT INFORMATION PACKET



Model No: C42D17VK1A

Catalog No: 098375.00

1/4HP.1750RPM.MSS56C.TENV.180V.CONT.40C.1.0SF.RIGID C.DC WASHGUARD.C42D17VK1A
White Epoxy



Regal and Leeson are trademarks of Regal Beloit Corporation or one of its affiliated companies.

©2018 Regal Beloit Corporation, All Rights Reserved. MC017097E





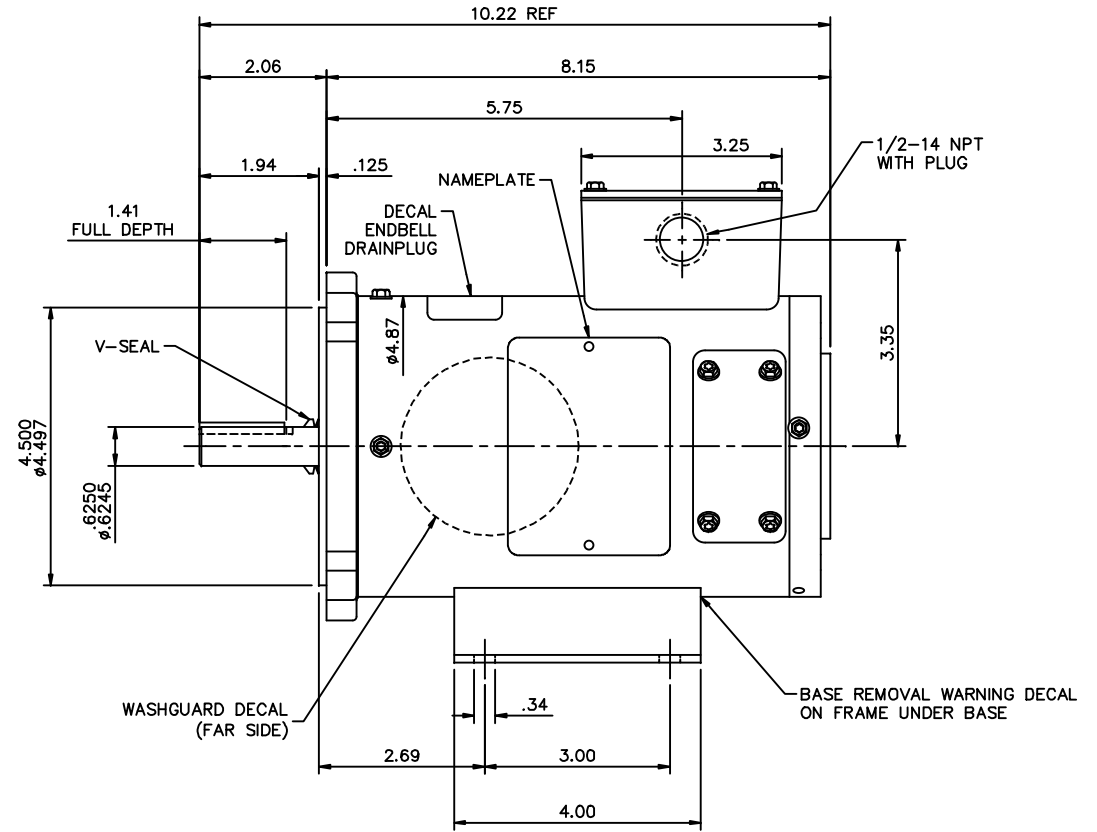
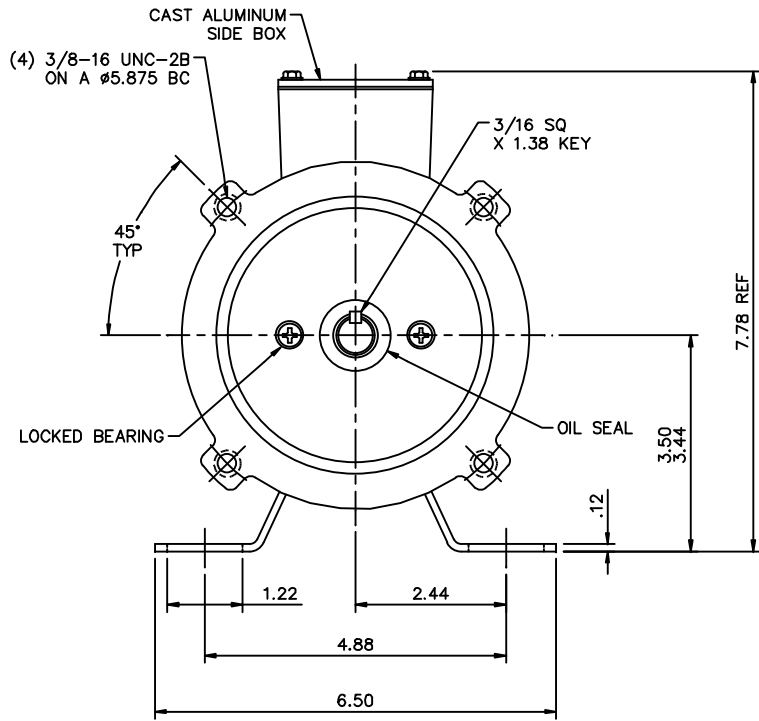
Nameplate Specifications

Output HP	0.25 Hp	Output KW	0.19 kW
Voltage	180 V	Current	1.4 A
Speed	1750 rpm	Service Factor	1
Efficiency	77.1 %	Duty	Continuous
Insulation Class	F	Frame	MSS56C
Enclosure	Totally Enclosed Non Ventilated	Overload Protector	No
Ambient Temperature	40 °C	Drive End Bearing Size	6203
Opp Drive End Bearing Size	6203	UL	Recognized
CSA	Y	CE	N

Technical Specifications

Rotation	Reversible	Mounting	Rigid C base
Overall Length	10.22 in	Frame Length	7.00 in
Shaft Diameter	0.625 in	Shaft Extension	2.06 in
Outline Drawing	027878-098375		

This is an uncontrolled document once printed or downloaded and is subject to change without notice. Date Created: 10/15/2018



NOTES:

- 1) MAXIMUM FACE RUNOUT TO BE .004 T.I.R.
- 2) MAXIMUM PILOT ECCENTRICITY TO BE .004 T.I.R.
- 3) PERMISSIBLE SHAFT RUNOUT TO BE .002 T.I.R.
- 4) GASKETS THROUGHOUT
- 5) DRAIN HOLES PLUGGED AT 3, 9 AND 12 O'CLOCK. HOLES AT 6 O'CLOCK ARE OPEN (BOTH ENDS)

		TOLERANCES UNLESS SPECIFIED		LEESON ELECTRIC MOTORS GEARMOTORS AND DRIVES		DRAWN IPG 7/11/05				
		DEC.	INCHES			CHK	SAD 7/11/05			
02	CORRECTED MOUNTING IN TITLE BLOCK ISAAC 12-4380	GWS	9/11/12	.X	±.1	APPD				
01	MOVED 12 O'CLOCK FRAME DRAIN HOLE ON SHAFT END	IPG	12/4/07	.XX	±.03	SCALE	1-2			
	10 DEGREES FROM THE TOP, ECR 91252			.XXX	±.005	REF	PRO40580			
00	RELEASED: REF. PRO40580	IPG	7/11/05	.XXXX	±.0005	MAT'L	FMF 098376.00			
NO.	REVISION	BY & DATE	CHK	ANG	±1/2'	FINISH	PREV			
THIS DRAWING IN DESIGN AND DETAIL IS OUR PROPERTY AND MUST NOT BE USED EXCEPT IN CONNECTION WITH OUR WORK ALL RIGHTS OF DESIGN AND INVENTION ARE RESERVED THIS IS AN ELECTRONICALLY GENERATED DOCUMENT - DO NOT SCALE THIS PRINT				RFP		CAD FILE	027878	SIZE	DRAWING NO.	REV.
				DIST		B	027878.00		02	