

# PRODUCT INFORMATION PACKET



Model No: A4P11NZ74A

Catalog No: 103713.00

..1/4HP..1200RPM.48Y.TEAO.115V.1PH.60HZ.CONT.40C.1.0SF.TOKE.....FAN.....

Pedestal Fan



Regal and Leeson are trademarks of Regal Beloit Corporation or one of its affiliated companies.

©2018 Regal Beloit Corporation, All Rights Reserved. MC017097E





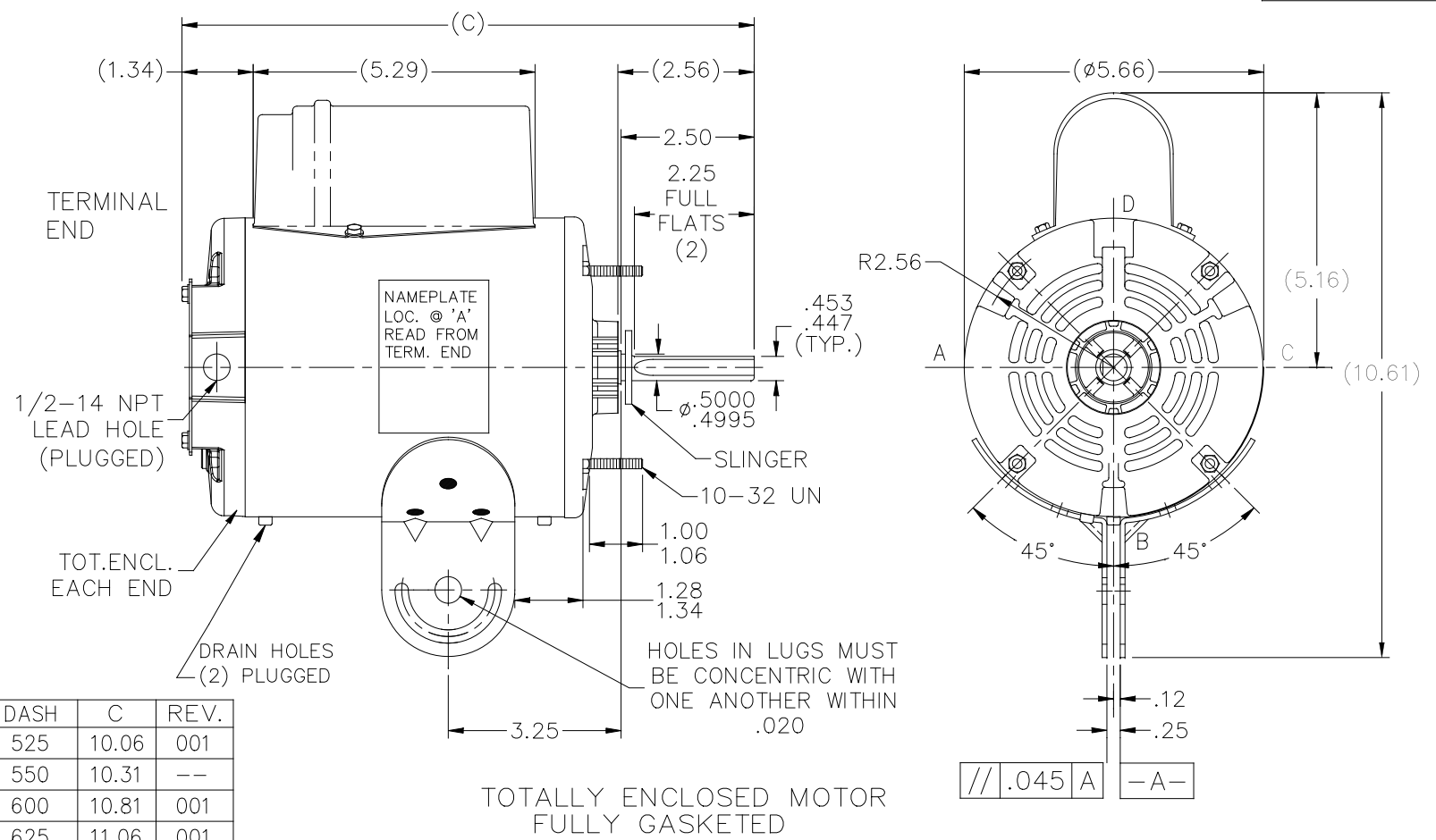
### Nameplate Specifications

Output HP	<b>0.25 Hp</b>	Output KW	<b>0.19 kW</b>
Frequency	<b>60 Hz</b>	Voltage	<b>115 V</b>
Current	<b>3.2 A</b>	Speed	<b>1075 rpm</b>
Service Factor	<b>1</b>	Phase	<b>1</b>
Efficiency	<b>59.5 %</b>	Duty	<b>Continuous</b>
Insulation Class	<b>B</b>	Design Code	<b>N</b>
KVA Code	<b>B</b>	Frame	<b>48YZ</b>
Enclosure	<b>Totally Enclosed Air Over</b>	Overload Protector	<b>Automatic Lock Rotor Only</b>
Ambient Temperature	<b>40 °C</b>	Drive End Bearing Size	<b>6203</b>
Opp Drive End Bearing Size	<b>6203</b>	UL	<b>Recognized</b>
CSA	<b>Y</b>	CE	<b>N</b>
IP Code	<b>43</b>		

### Technical Specifications


Electrical Type	<b>Permanent Split Capacitor</b>	Starting Method	<b>Across The Line</b>
Poles	<b>6</b>	Rotation	<b>Selective Counterclockwise</b>
Mounting	<b>Round - Swing Arm</b>	Motor Orientation	<b>HORIZONTAL</b>
Drive End Bearing	<b>BALL</b>	Opp Drive End Bearing	<b>BALL</b>
Frame Material	<b>Rolled Steel</b>	Shaft Type	<b>Single Special Extension</b>
Overall Length	<b>10.06 in</b>	Frame Length	<b>5.25 in</b>
Shaft Diameter	<b>0.625 in</b>	Shaft Extension	<b>2.56 in</b>
Assembly/Box Mounting	<b>F1 ONLY</b>		
Outline Drawing	<b>A-SS403994LE-525</b>	Connection Diagram	<b>A-005532-01</b>

SS403994LE



DASH	C	REV.
525	10.06	001
550	10.31	--
600	10.81	001
625	11.06	001

TOLERANCES UNLESS SPECIFIED	
DEC.	INCHES
.X	±
.XX	±.03
.XXX	±.005
.XXXX	±.0005
CHK ANG	±'30"

 <p>ELECTRIC MOTORS GEARMOTORS AND DRIVES</p>	DRAWN SVL 1-7-2012
	CHK
	APPD SVL 1-7-2012
	SCALE 3=8
TITLE OUTLINE 48 FR.	REF SS403014
MAT'L.	FMF MU111579
FINISH	PREV

THIS DRAWING IN DESIGN AND DETAIL IS OUR PROPERTY AND MUST NOT BE USED EXCEPT IN CONNECTION WITH OUR WORK ALL RIGHTS OF DESIGN AND INVENTION ARE RESERVED THIS IS AN ELECTRONICALLY GENERATED DOCUMENT - DO NOT SCALE THIS PRINT

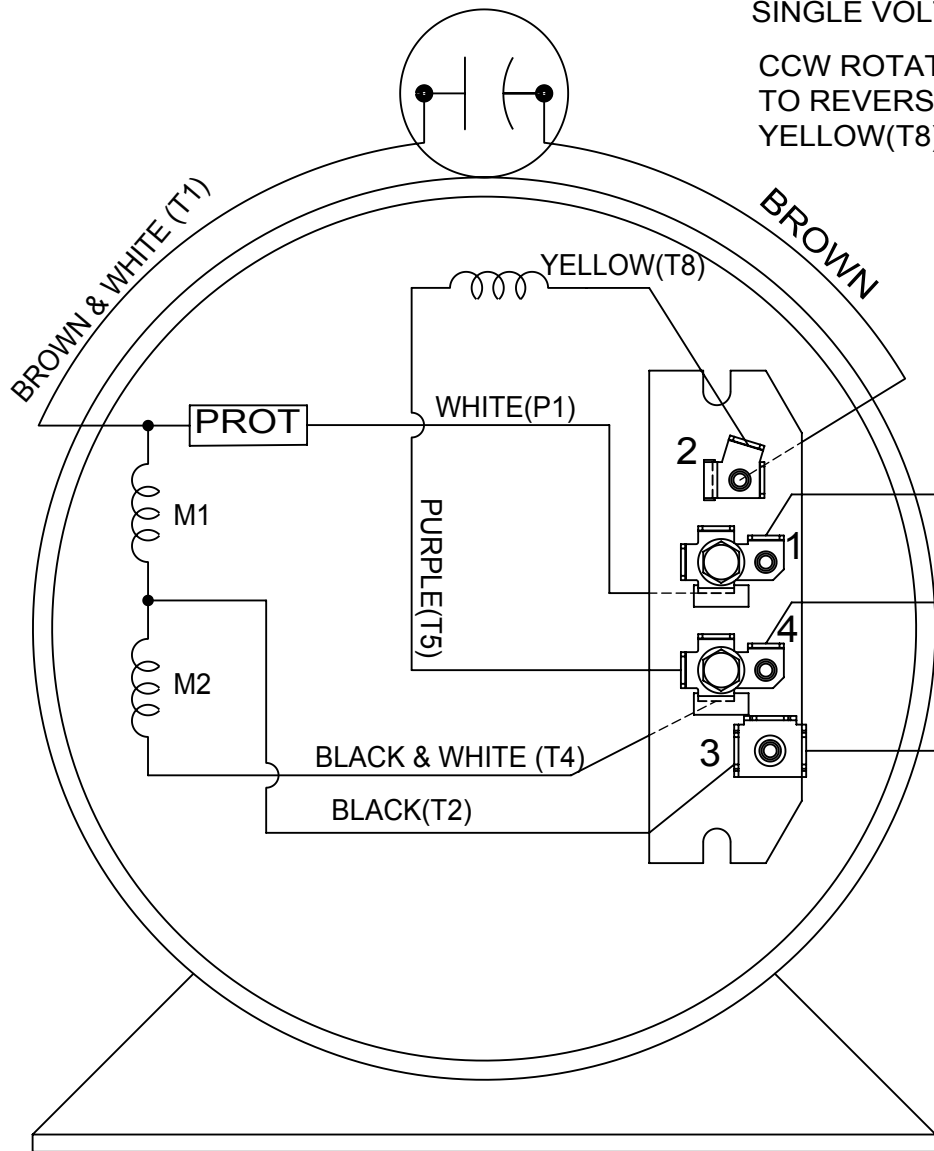
RFP 1-7-2012	CAD FILE SS403994LE
DIST WP	

SIZE A	DRAWING NO. SS403994LE	PAGE 1 OF 1	REV. D
--------	------------------------	-------------	--------

# Uncontrolled Copy

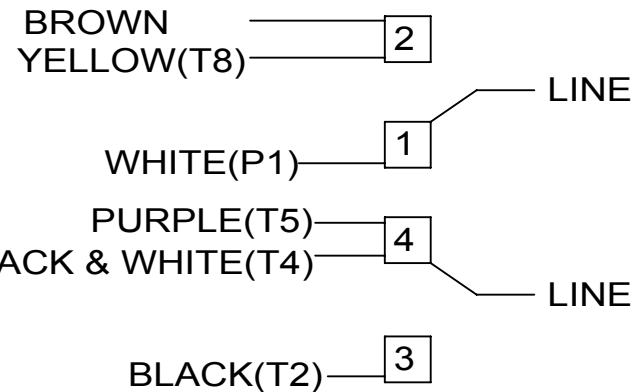
SINGLE VOLTAGE DUAL SPEED

CCW ROTATION, LEAD END, SHOWN  
TO REVERSE INTERCHANGE  
YELLOW(T8) AND PURPLE(T5) LEADS.

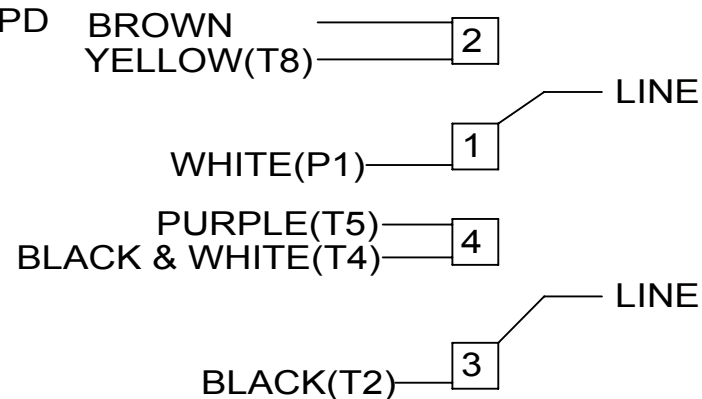


VIEW OF TERMINAL END

## LOW SPEED



## HIGH SPEED



NOTE: USE T & P MARKINGS WHEN CALLED IN BOM

DRAWING REVISION E	REVISION BY PST	DATE 06/09/2014	TOLERANCES UNLESS OTHERWISE SPECIFIED:		DRAWN BY VJB	Regal Beloit America, Inc.
ECO ECO-0053118	APPROVED BY SKM	DATE 06/09/2014	DEC.	INCH	mm	
ECO DESCRIPTION ADDED T & P MARKINGS			.X	±0.1	[±2.5]	±0.5°
COPYRIGHT REGAL BELOIT AMERICA, INC. ALL RIGHTS RESERVED. PROPRIETARY AND CONFIDENTIAL INFORMATION - THIS DOCUMENT IS THE PROPERTY OF REGAL BELOIT AMERICA, INC. ("OWNER") AND CONTAINS OWNER'S PROPRIETARY INFORMATION. ANY PERSON, CORPORATION OR OTHER FIRM RECEIVING IT IS DEEMED, BY RECEIVING IT, TO AGREE THAT IT, AND/OR ANY PART OF IT, SHALL NOT BE DISCLOSED TO ANY PERSON, CORPORATION OR OTHER ENTITY, DUPLICATED, AND/OR USED, EXCEPT AS EXPRESSLY APPROVED IN WRITING IN ADVANCE BY OWNER. THIS DOCUMENT SHALL BE RETURNED TO OWNER UPON REQUEST. IT MAY BE SUBJECT TO CERTAIN RESTRICTIONS UNDER APPLICABLE EXPORT CONTROL LAWS AND REGULATIONS.			.XX	±0.01	[±0.25]	
			.XXX	±0.005	[±0.127]	
			.XXXX	±0.0005	[±0.0127]	
			REMOVE BURRS & BREAK SHARP			
			EDGES: .003/.015 [.076/.381]			
			CORNER FILLETS: .02 [.51]			
			MACHINED SURFACES: 125 / mm 3.2 / INCH			
			mm SHOWN IN [BRACKETS]			
			THIRD ANGLE PROJECTION			SIZE A
			REFERENCE		MATERIAL	PROCESS/FINISH
			DATE 01/16/13		DESCRIPTION <b>CONN DIAGRAM-EXTERNAL</b> C TYPE WITH PROTECTOR	
			APPROVED BY		DRAWING NUMBER 00553201	
			DATE		SHEET 1 OF 1	

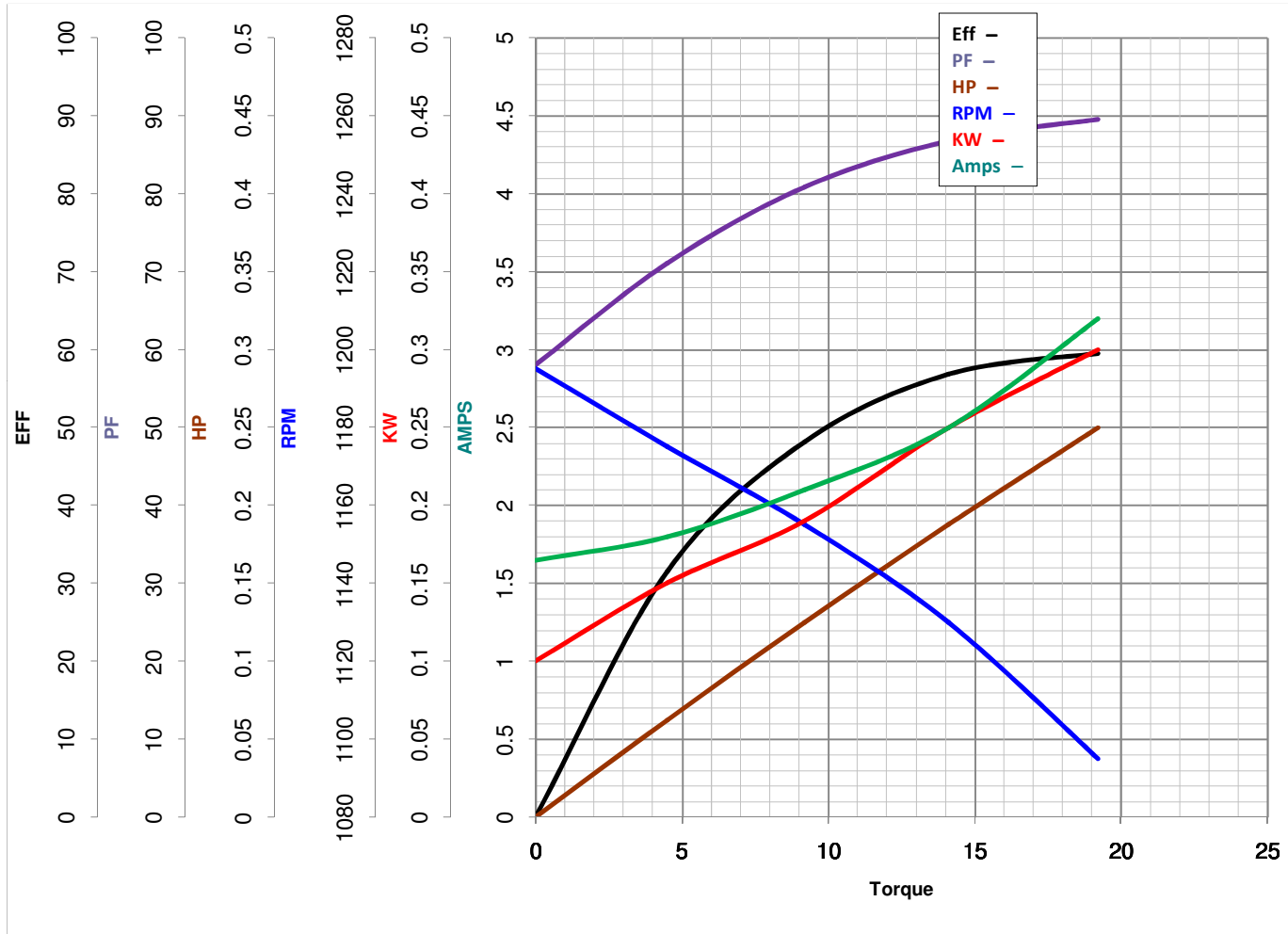


**LEESON ELECTRIC CORPORATION**  
TYPICAL PERFORMANCE CURVE for AC MOTOR

Model No 103713.00

Catalog No 103713.00

Curve at 115 Volts      HP 0.26      PHASE 1  
60 HZ  
0.25 HP      VOLTS 115  
   HZ 60      RPM 1075



Torque in Oz.Ft

FL TORQUE 19.2 Oz.Ft  
 BD TORQUE 26.7 Oz.Ft  
 LR TORQUE 7.9 Oz.Ft

FL AMPS 3.2  
 PU TORQUE 7.1 Oz.Ft  
 LR AMPS 7.3

WINDING PE4861979-1

Date 3/13/2018