

PRODUCT INFORMATION PACKET



Model No: A4P11NZ79A

Catalog No: 103722.00

..1/2HP..1200RPM.48Y.TEAO.115V.1PH.60HZ.CONT.40C.1.0SF.YOKE.....FAN.....

Pedestal Fan



Regal and Leeson are trademarks of Regal Beloit Corporation or one of its affiliated companies.

©2018 Regal Beloit Corporation, All Rights Reserved. MC017097E





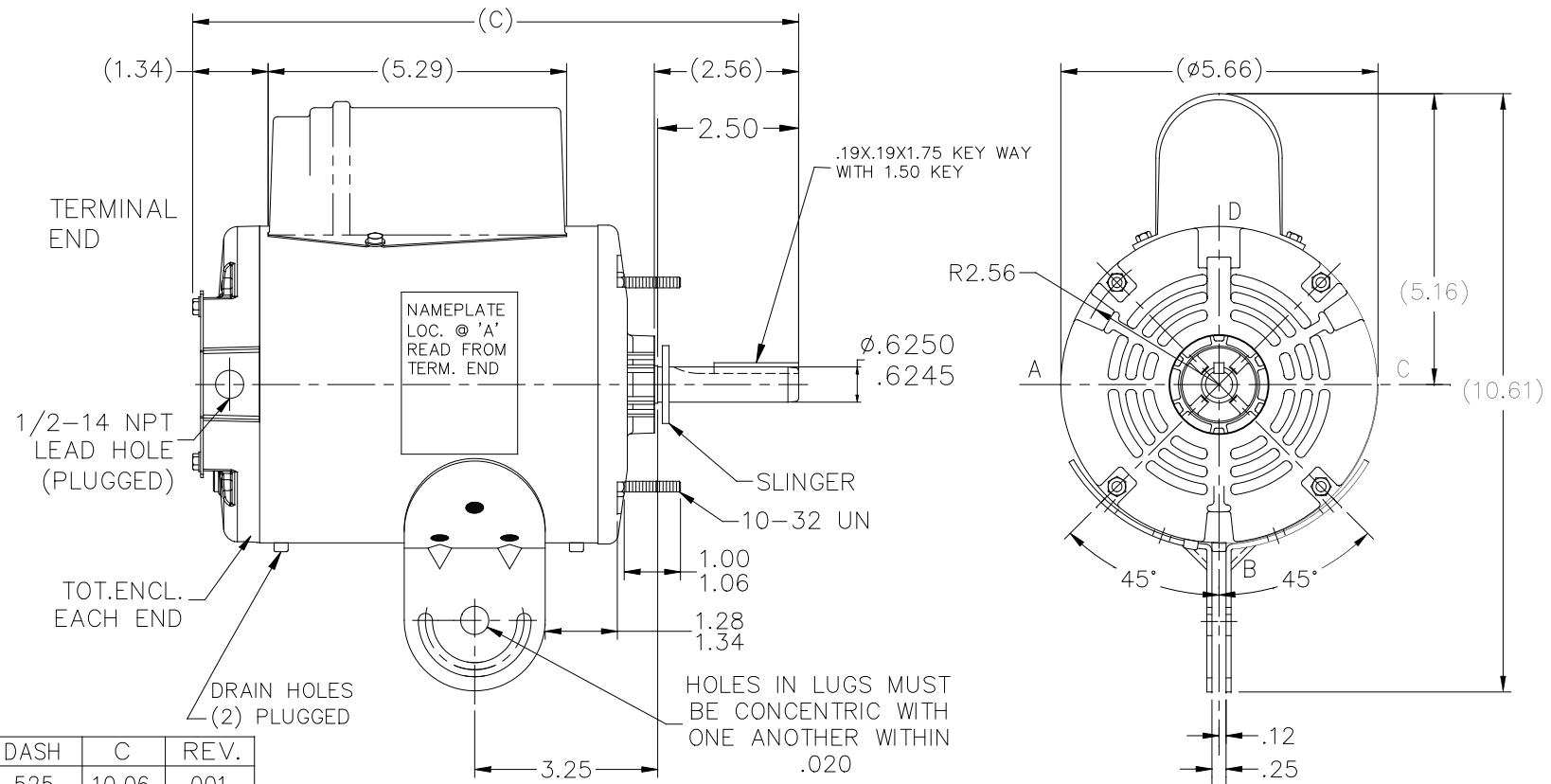
Nameplate Specifications

Output HP	0.50 Hp	Output KW	0.37 kW
Frequency	60 Hz	Voltage	115 V
Current	5.7 A	Speed	1075 rpm
Service Factor	1	Phase	1
Efficiency	64 %	Duty	Continuous
Insulation Class	B	Design Code	N
KVA Code	C	Frame	48Y
Enclosure	Totally Enclosed Air Over	Overload Protector	Automatic Lock Rotor Only
Ambient Temperature	40 °C	Drive End Bearing Size	6203
Opp Drive End Bearing Size	6203	UL	Recognized
CSA	Y	CE	N
IP Code	43		

Technical Specifications

Electrical Type	Permanent Split Capacitor	Starting Method	Across The Line
Poles	6	Rotation	Selective Counterclockwise
Mounting	Round - Swing Arm	Motor Orientation	HORIZONTAL
Drive End Bearing	BALL	Opp Drive End Bearing	BALL
Frame Material	Rolled Steel	Shaft Type	Single Special Extension
Overall Length	11.06 in	Frame Length	6.25 in
Shaft Diameter	0.625 in	Shaft Extension	2.56 in
Assembly/Box Mounting	F1 ONLY		
Outline Drawing	A-SS403995LE-625	Connection Diagram	A-005532-01

SS403995LE



TOTALLY ENCLOSED MOTOR FULLY GASKETED

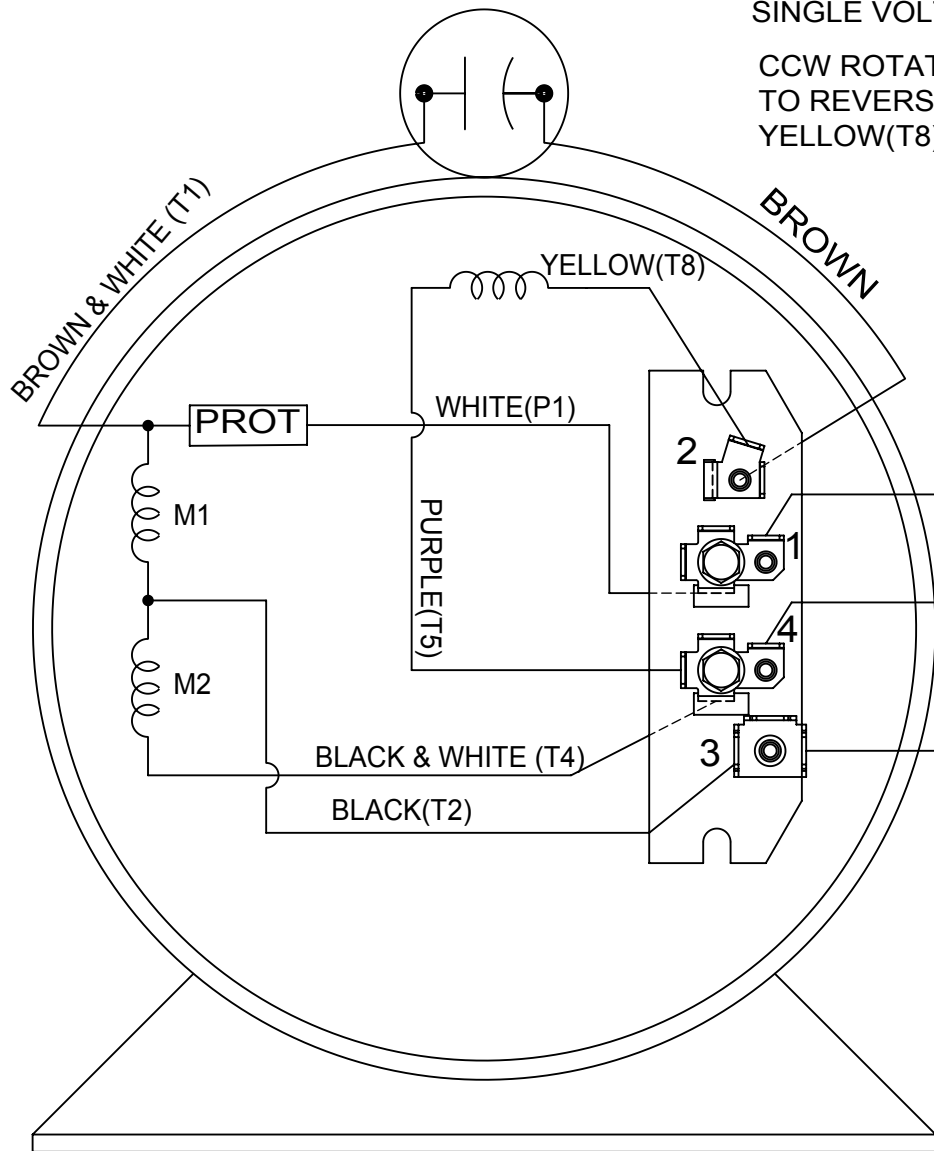
DASH	C	REV.
525	10.06	001
550	10.31	--
600	10.81	001
625	11.06	001

		TOLERANCES UNLESS SPECIFIED		LEESON	ELECTRIC MOTORS GEARMOTORS AND DRIVES	DRAWN SVL 1-11-2012	
		DEC.	INCHES			CHK	APPD SVL 1-11-2012
		.X	±			SCALE	3=8
		.XX	±.03		TITLE OUTLINE	REF	SS403994LE
		.XXX	±.005		48 FR.	FMF	MU111579
		.XXXX	±.0005		MAT'L.	PREV	
C	1.00/1.06 WAS .94/1.00 ECR 0107818	GWS	8/16/16				
NO.	REVISION	BY & DATE	CHK	ANG	±'30"		
THIS DRAWING IN DESIGN AND DETAIL IS OUR PROPERTY AND MUST NOT BE USED EXCEPT IN CONNECTION WITH OUR WORK ALL RIGHTS OF DESIGN AND INVENTION ARE RESERVED THIS IS AN ELECTRONICALLY GENERATED DOCUMENT - DO NOT SCALE THIS PRINT				RFP	1-11-2012	CAD FILE	SS403995LE
				DIST	WP	SIZE	A
						DRAWING NO.	SS403995LE
						PAGE	1 OF 1
						REV.	C

Uncontrolled Copy

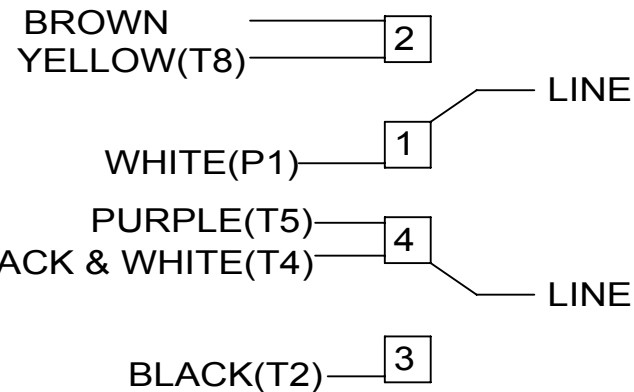
SINGLE VOLTAGE DUAL SPEED

CCW ROTATION, LEAD END, SHOWN
TO REVERSE INTERCHANGE
YELLOW(T8) AND PURPLE(T5) LEADS.

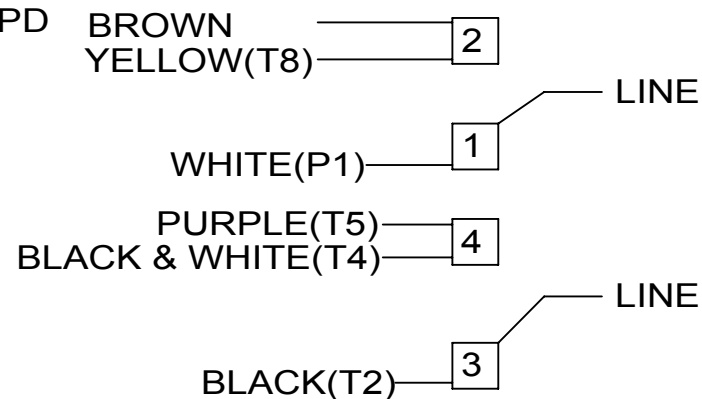


VIEW OF TERMINAL END

LOW SPEED



HIGH SPEED



NOTE: USE T & P MARKINGS WHEN CALLED IN BOM

DRAWING REVISION E	REVISION BY PST	DATE 06/09/2014	TOLERANCES UNLESS OTHERWISE SPECIFIED:		DRAWN BY VJB	Regal Beloit America, Inc.
ECO ECO-0053118	APPROVED BY SKM	DATE 06/09/2014	DEC.	INCH	mm	
ECO DESCRIPTION ADDED T & P MARKINGS			.X	±0.1	[±2.5]	±0.5°
COPYRIGHT REGAL BELOIT AMERICA, INC. ALL RIGHTS RESERVED. PROPRIETARY AND CONFIDENTIAL INFORMATION - THIS DOCUMENT IS THE PROPERTY OF REGAL BELOIT AMERICA, INC. ("OWNER") AND CONTAINS OWNER'S PROPRIETARY INFORMATION. ANY PERSON, CORPORATION OR OTHER FIRM RECEIVING IT IS DEEMED, BY RECEIVING IT, TO AGREE THAT IT, AND/OR ANY PART OF IT, SHALL NOT BE DISCLOSED TO ANY PERSON, CORPORATION OR OTHER ENTITY, DUPLICATED, AND/OR USED, EXCEPT AS EXPRESSLY APPROVED IN WRITING IN ADVANCE BY OWNER. THIS DOCUMENT SHALL BE RETURNED TO OWNER UPON REQUEST. IT MAY BE SUBJECT TO CERTAIN RESTRICTIONS UNDER APPLICABLE EXPORT CONTROL LAWS AND REGULATIONS.			.XX	±0.01	[±0.25]	
			.XXX	±0.005	[±0.127]	
			.XXXX	±0.0005	[±0.0127]	
			REMOVE BURRS & BREAK SHARP			
			EDGES: .003/.015 [.076/.381]			
			CORNER FILLETS: .02 [.51]			
			MACHINED SURFACES: 125 / mm 3.2 / INCH			
			mm SHOWN IN [BRACKETS]			
			THIRD ANGLE PROJECTION			SIZE A
			REFERENCE		MATERIAL	PROCESS/FINISH
			DATE 01/16/13		DESCRIPTION CONN DIAGRAM-EXTERNAL C TYPE WITH PROTECTOR	
			APPROVED BY		DRAWING NUMBER 00553201	
			DATE		SHEET 1 OF 1	

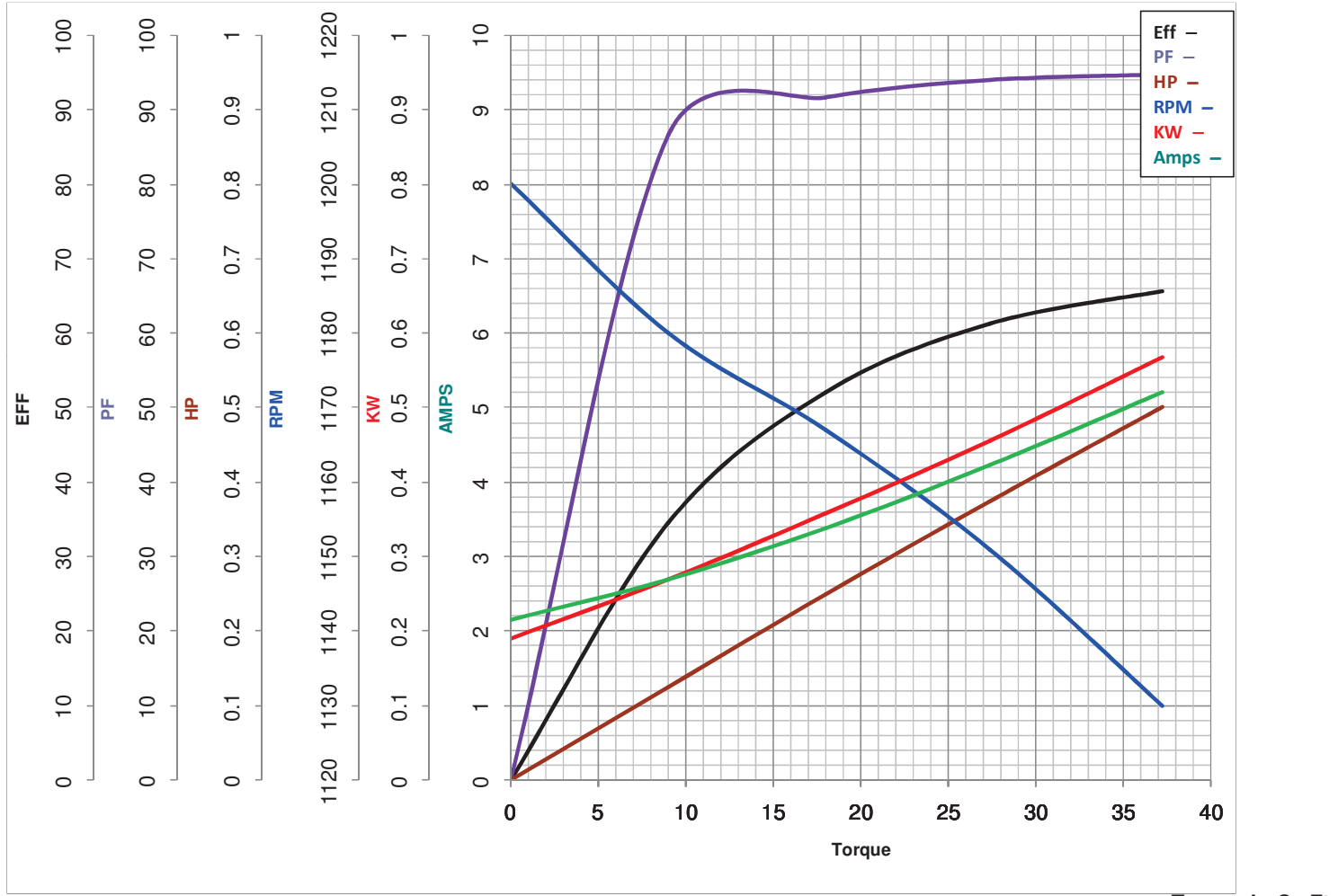


Model No 103722.00

Catalog No 103722.00

LEESON ELECTRIC CORPORATION
 TYPICAL PERFORMANCE CURVE for AC MOTOR

Curve at 115 Volts HP 0.50 PHASE 1
60 HZ
0.5 HP VOLTS 115
 HZ 60 RPM 1075



FL TORQUE	<u>37.2</u> Oz.Ft	FL AMPS	<u>5.7</u>
BD TORQUE	<u>66.6</u> Oz.Ft	PU TORQUE	<u>15.0</u> Oz.Ft
LR TORQUE	<u>0</u> Oz.Ft	LR AMPS	<u>17</u>
WINDING	PE4861981-1	Date	4/23/2018

Uncontrolled Copy