

PRODUCT INFORMATION PACKET



Model No: A4P17NZ132A

Catalog No: 103783.00

..1/3 HP..1625 RPM.48YZ.TEAO.115/230V.1PH.60HZ.CONT.40C.1.0SF.THROUGH BOLT.....AG-FAN.....
Direct Drive



Regal and Leeson are trademarks of Regal Beloit Corporation or one of its affiliated companies.

©2018 Regal Beloit Corporation, All Rights Reserved. MC017097E



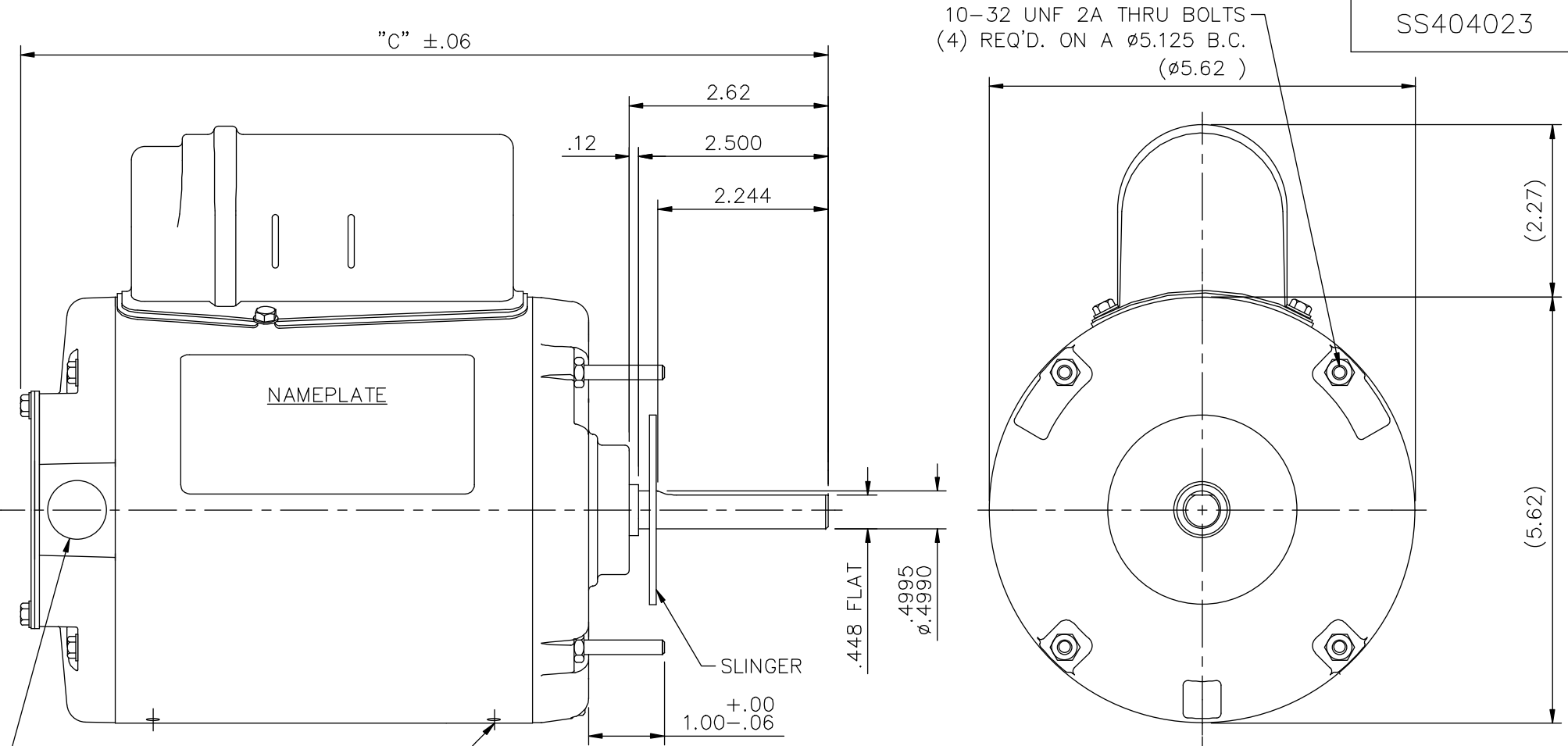


Nameplate Specifications


Output HP	0.33 Hp	Output KW	0.25 kW
Frequency	60 Hz	Voltage	115/230 V
Current	3.3/1.7 A	Speed	1625 rpm
Service Factor	1	Phase	1
Efficiency	68 %	Duty	Continuous
Insulation Class	B	Design Code	N
KVA Code	D	Frame	48YZ
Enclosure	Totally Enclosed Air Over	Overload Protector	Automatic Lock Rotor Only
Ambient Temperature	40 °C	Drive End Bearing Size	6203
Opp Drive End Bearing Size	6203	UL	Recognized
CSA	Y	CE	N
IP Code	43		

Technical Specifications

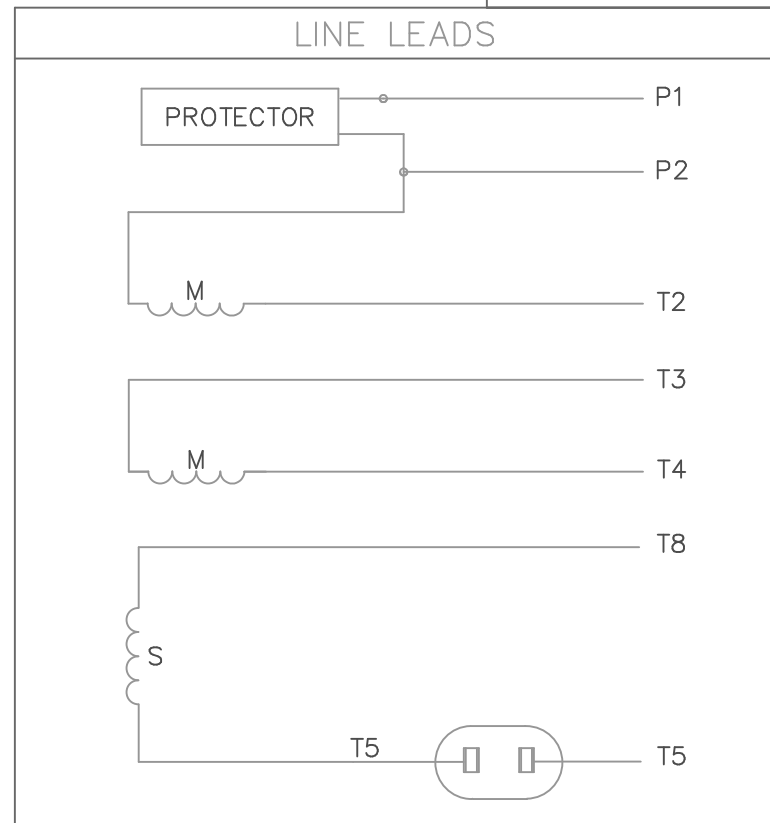
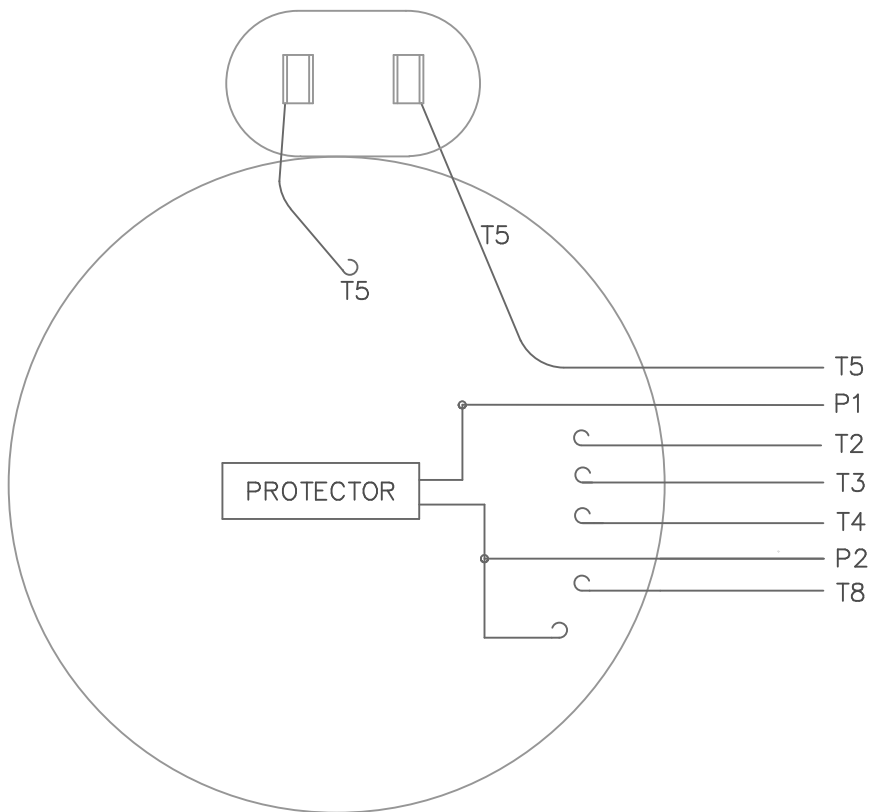
Electrical Type	Permanent Split Capacitor	Starting Method	Across The Line
Poles	4	Rotation	Selective Counterclockwise
Mounting	Round - Extended Studs	Motor Orientation	HORIZONTAL
Drive End Bearing	BALL	Opp Drive End Bearing	BALL
Frame Material	Rolled Steel	Shaft Type	Single Special Extension
Overall Length	10.93 in	Frame Length	5.75 in
Shaft Diameter	0.500 in	Shaft Extension	2.5 in
Assembly/Box Mounting	F1 ONLY		
Outline Drawing	A-SS404023-575	Connection Diagram	A-005109-15




DASH NO.	"C"
550	10.68
575	10.93
600	11.18
625	11.43
650	11.68
675	11.93
725	12.43

		TOLERANCES UNLESS SPECIFIED		 ELECTRIC MOTORS GEARMOTORS AND DRIVES	DRAWN PST 05-15-2013	
		DEC.	INCHES		CHK SM 05-15-2013	
		.X	± 1		APPD	
		.XX	± 0.03		SCALE 1:1	
		.XXX	± 0.005		REF 031707	
		.XXXX	± 0.0005	MAT'L.	FMF MU114086	
NO.	REVISION	BY & DATE	CHK ANG $\pm 1/2'$	FINISH	PREV	
THIS DRAWING IN DESIGN AND DETAIL IS OUR PROPERTY AND MUST NOT BE USED EXCEPT IN CONNECTION WITH OUR WORK ALL RIGHTS OF DESIGN AND INVENTION ARE RESERVED THIS IS AN ELECTRONICALLY GENERATED DOCUMENT - DO NOT SCALE THIS PRINT			RFP	CAD FILE SS404023	SIZE A	DRAWING NO. SS404023
			DIST			REV.

VIEW FROM OUTSIDE OF MOTOR AT SWITCH END.



	ROTATION FACING LEAD END	L1	L2	JOIN	INSULATE SEPARATELY
HIGH VOLT	C.C.W.	P1	T4 T5	T2, T3 T8	P2
	C.W.	P1	T4 T8	T2, T3 T5	P2
LOW VOLT	C.C.W.	P1	T2, T4 T5	P2, T3 T8	--
	C.W.	P1	T2, T4 T8	P2, T3 T5	--

		TOLERANCES UNLESS SPECIFIED		 ELECTRIC MOTORS GEARMOTORS AND DRIVES	DRAWN PG 3/4/02		
		DEC.	INCHES		CHK		
		.X	±.1		APPD		
		.XX	±.01		SCALE 1=1		
		.XXX	±.005		REF 005109-01		
		.XXXX	±.0005	MAT'L. DECAL - 004011	FMF 102675		
NO.	REVISION	BY & DATE	CHK	ANG ±1/2'	FINISH	PREV	
THIS DRAWING IN DESIGN AND DETAIL IS OUR PROPERTY AND MUST NOT BE USED EXCEPT IN CONNECTION WITH OUR WORK ALL RIGHTS OF DESIGN AND INVENTION ARE RESERVED THIS IS AN ELECTRONICALLY GENERATED DOCUMENT - DO NOT SCALE THIS PRINT			RFP	CAD FILE 00510915	SIZE A	DRAWING NO. 005109-15	REV.
			DIST				

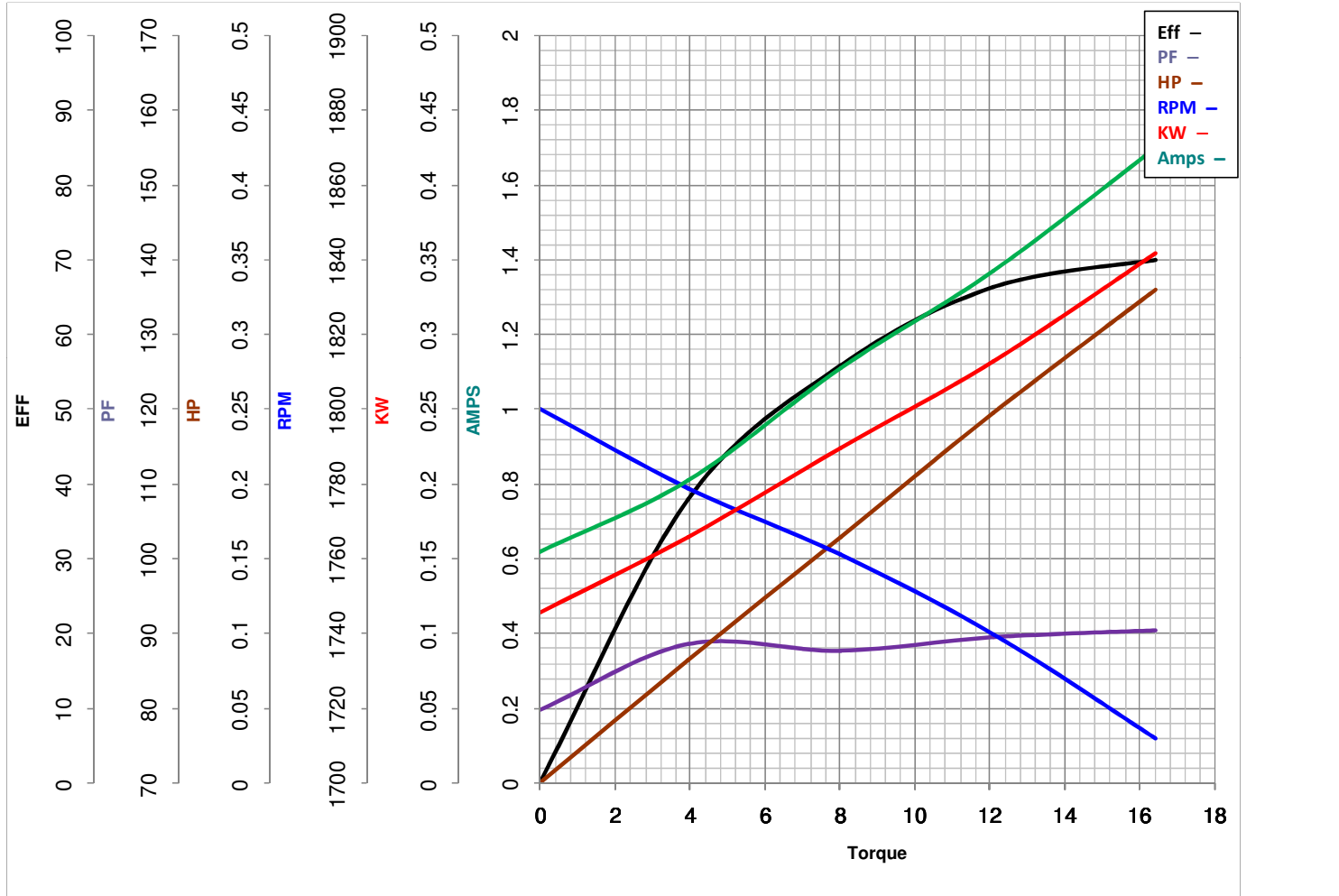


LEESON ELECTRIC CORPORATION
 TYPICAL PERFORMANCE CURVE for AC MOTOR

Model No 103783.00

Catalog No 103783.00

Curve at 230 Volts HP 0.34 PHASE 1
60 HZ
0.33 HP VOLTS 115/230
 HZ 60 RPM 1625



FL TORQUE	<u>16.4</u>	Oz.Ft	FL AMPS	<u>3.25/1.65</u>
BD TORQUE	<u>35.3</u>	Oz.Ft	PU TORQUE	<u>7.5</u> Oz.Ft
LR TORQUE	<u>9.63</u>	Oz.Ft	LR AMPS	<u>6.74</u>
WINDING	PE484280-3		Date	3/13/2018