

# PRODUCT INFORMATION PACKET



Model No: M4P17DJ33A

Catalog No: 103821.00

..1/2HP..1625RPM.S56.ODP.115V.1PH.60/50HZ.60MIN.40C.1.0SF.RESILIENT BASE.....Instant Reversing.....  
Instant Reversing



Regal and Leeson are trademarks of Regal Beloit Corporation or one of its affiliated companies.

©2018 Regal Beloit Corporation, All Rights Reserved. MC017097E





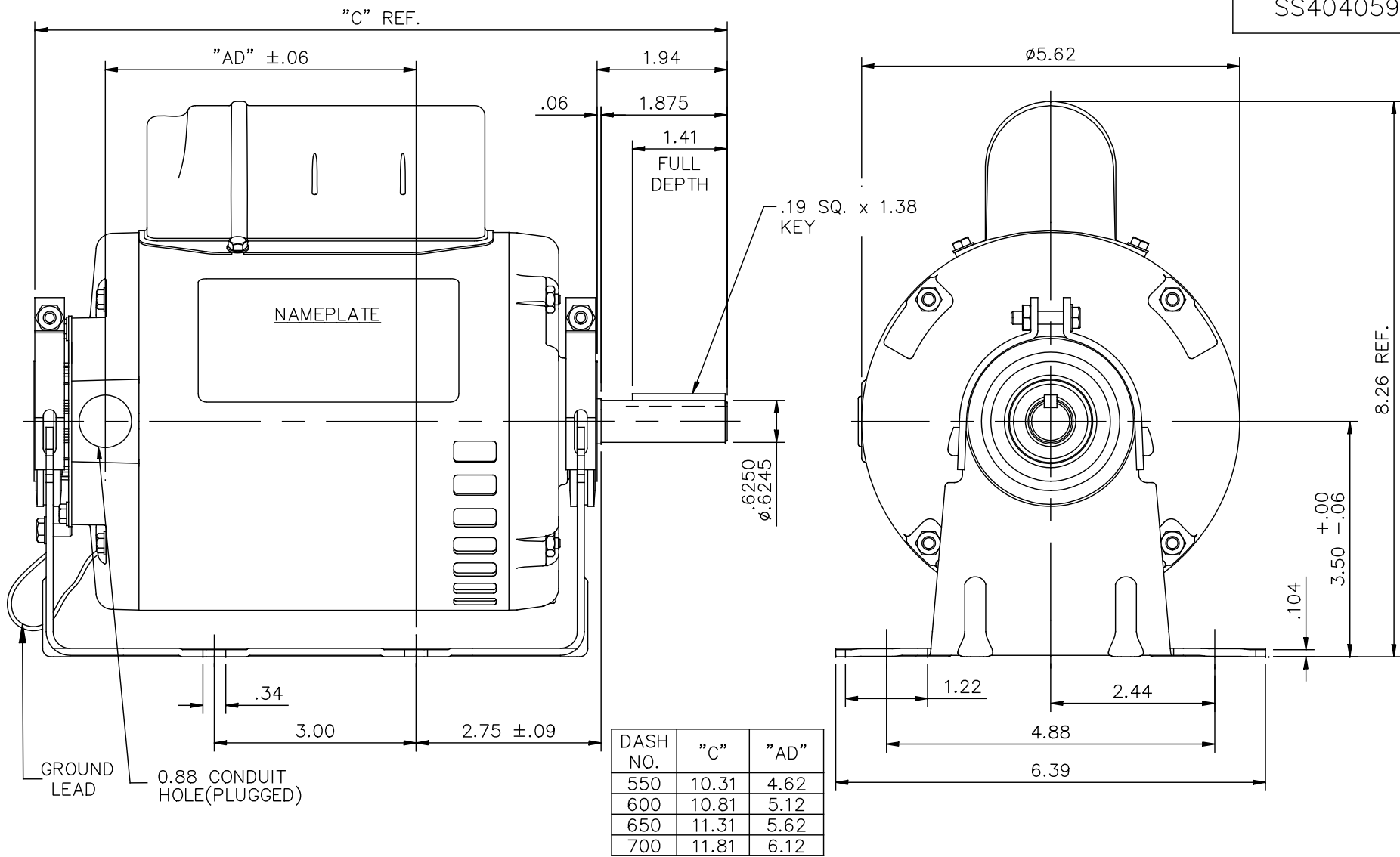
### Nameplate Specifications


Output HP	<b>0.50 Hp</b>	Output KW	<b>0.37 kW</b>
Frequency	<b>60 Hz</b>	Voltage	<b>115 V</b>
Current	<b>5.1 A</b>	Speed	<b>1535 rpm</b>
Service Factor	<b>1</b>	Phase	<b>1</b>
Efficiency	<b>57.7 %</b>	Duty	<b>60 Minute</b>
Insulation Class	<b>B</b>	Design Code	<b>N</b>
KVA Code	<b>A</b>	Frame	<b>S56Z</b>
Enclosure	<b>Drip Proof</b>	Overload Protector	<b>Manual</b>
Ambient Temperature	<b>40 °C</b>	Drive End Bearing Size	<b>6203</b>
Opp Drive End Bearing Size	<b>6203</b>	UL	<b>Recognized</b>
CSA	<b>Y</b>	CE	<b>N</b>
IP Code	<b>12</b>		

### Technical Specifications

Electrical Type	<b>Permanent Split Capacitor</b>	Starting Method	<b>Across The Line</b>
Poles	<b>4</b>	Rotation	<b>Selective Counterclockwise</b>
Mounting	<b>Resilient Base</b>	Motor Orientation	<b>HORIZONTAL</b>
Drive End Bearing	<b>BALL</b>	Opp Drive End Bearing	<b>BALL</b>
Frame Material	<b>Rolled Steel</b>	Shaft Type	<b>Single Special Extension</b>
Overall Length	<b>10.81 in</b>	Frame Length	<b>6.00 in</b>
Shaft Diameter	<b>0.625 in</b>	Shaft Extension	<b>3.12 in</b>
Assembly/Box Mounting	<b>F1 ONLY</b>		
Outline Drawing	<b>SS404059-600</b>	Connection Diagram	<b>A005024-08</b>

SS404059



				TOLERANCES UNLESS SPECIFIED		 <b>Regal Beloit America, Inc.</b>		DRAWN PST 02/03/2014		
				DEC.	INCHES			CHK VS 02/03/2014		
				.X	±.1	TITLE OUTLINE – S56 FRAME RESILIENT MOUNT – DRIP PROOF		APPD		
				.XX	±.03			SCALE 1:1		
				.XXX	±.005			REF 031775		
B	ADDED GROUND LEAD	SL 04/19/2016	SM	.XXXX	±.0005	MAT'L. 1 PHASE		FMF 103821.00		
NO.	REVISION	BY & DATE	CHK	ANG	±1/2'	FINISH STANDARD		PREV		
THIS DRAWING IN DESIGN AND DETAIL IS OUR PROPERTY AND MUST NOT BE USED EXCEPT IN CONNECTION WITH OUR WORK ALL RIGHTS OF DESIGN AND INVENTION ARE RESERVED THIS IS AN ELECTRONICALLY GENERATED DOCUMENT – DO NOT SCALE THIS PRINT				RFP		CAD FILE SS404059		SIZE A	DRAWING NO. SS404059	REV. B
				DIST						

