

PRODUCT INFORMATION PACKET



Model No: C4D17VK3F

Catalog No: 108228.00

3/4HP.1750RPM.S56C.TENV.90V.CONT.40C.1.0SF.RIGID C.WASHGUARD.C4D17VK3F
White Epoxy



Regal and Leeson are trademarks of Regal Beloit Corporation or one of its affiliated companies.

©2018 Regal Beloit Corporation, All Rights Reserved. MC017097E





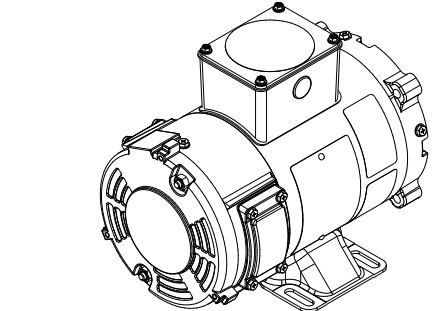
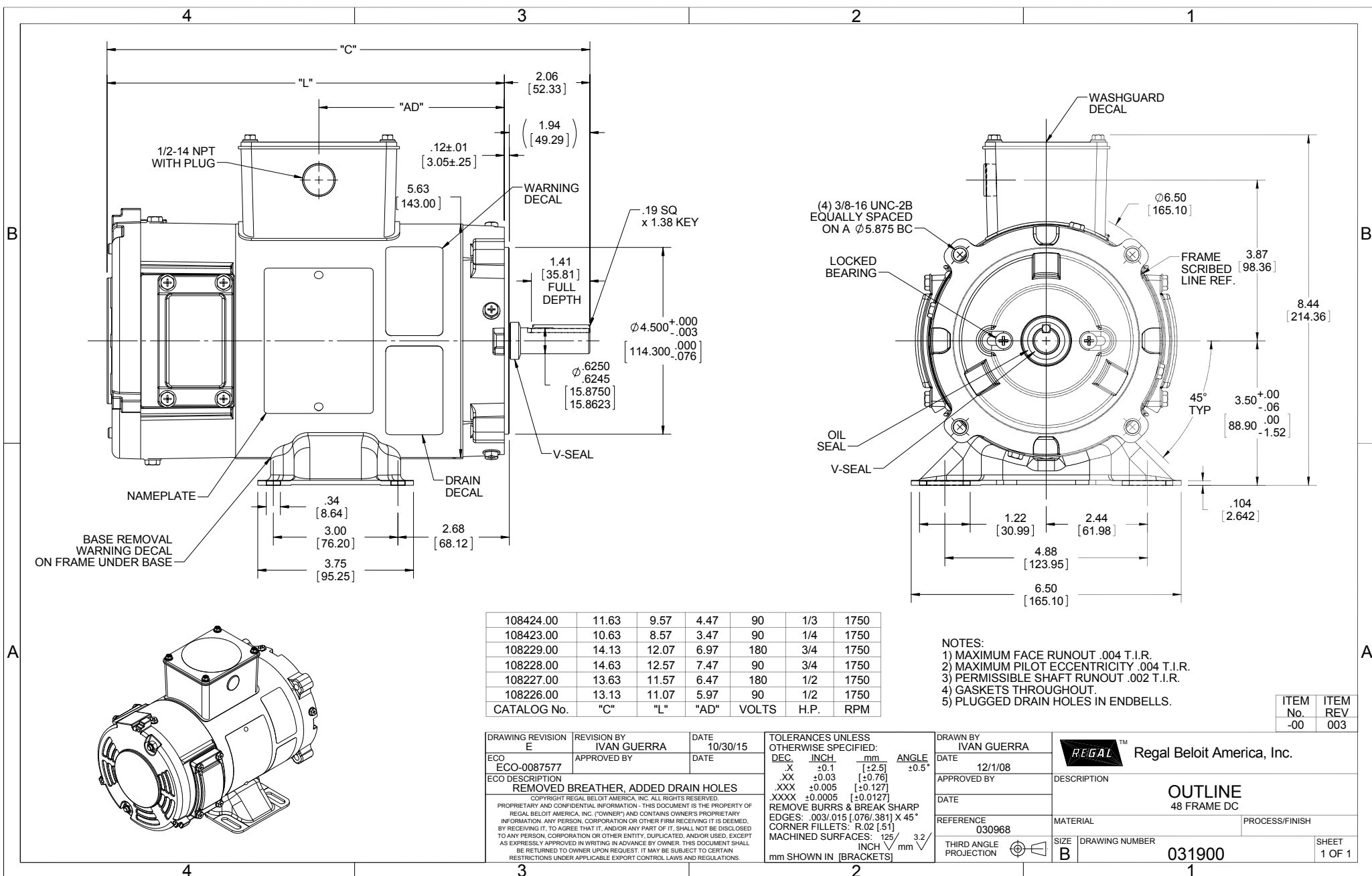
Nameplate Specifications

Output HP	0.75 Hp	Output KW	0.56 kW
Voltage	90 V	Current	7.0 A
Speed	1750 rpm	Service Factor	1
Efficiency	85.2 %	Duty	Continuous
Insulation Class	F	Frame	S56C
Enclosure	Totally Enclosed Non Ventilated	Overload Protector	No
Ambient Temperature	40 °C	Drive End Bearing Size	6203
Opp Drive End Bearing Size	6203	UL	Recognized
CSA	Y	CE	N

Technical Specifications

Rotation	Reversible	Mounting	Rigid C base
Overall Length	14.63 in	Frame Length	8.47 in
Shaft Diameter	0.625 in	Shaft Extension	2.06 in
Outline Drawing	031900-108228		

This is an uncontrolled document once printed or downloaded and is subject to change without notice. Date Created: 10/15/2018



108424.00	11.63	9.57	4.47	90	1/3	1750
108423.00	10.63	8.57	3.47	90	1/4	1750
108229.00	14.13	12.07	6.97	180	3/4	1750
108228.00	14.63	12.57	7.47	90	3/4	1750
108227.00	13.63	11.57	6.47	180	1/2	1750
108226.00	13.13	11.07	5.97	90	1/2	1750
CATALOG No.	"C"	"L"	"AD"	VOLTS	H.P.	RPM

- NOTES:
 1) MAXIMUM FACE RUNOUT .004 T.I.R.
 2) MAXIMUM PILOT ECCENTRICITY .004 T.I.R.
 3) PERMISSIBLE SHAFT RUNOUT .002 T.I.R.
 4) GASKETS THROUGHOUT.
 5) PLUGGED DRAIN HOLES IN ENDBELLS.

ITEM No.	ITEM REV
-00	003

DRAWING REVISION E	REVISION BY IVAN GUERRA	DATE 10/30/15	TOLERANCES UNLESS OTHERWISE SPECIFIED: DEC. INCH. mm ANGLE ±0.5° -X ±0.1 [+2.5] .XX ±0.03 [+0.76] .XXX ±0.005 [+0.127] .XXXX ±0.0005 [+0.0127] REMOVE BURRS & BREAK SHARP EDGES: .003/.015 [.076/.381] X 45° CORNER FILLETS: R.02 [.51] MACHINED SURFACES: 125 3.2 INCH mm mm SHOWN IN [BRACKETS]	DRAWN BY IVAN GUERRA	DATE 12/1/08	DESCRIPTION OUTLINE 48 FRAME DC
ECO-0087577	APPROVED BY	DATE	REGAL Regal Beloit America, Inc.	APPROVED BY	REFERENCE 030968	MATERIAL
ECO DESCRIPTION REMOVED BREATHER, ADDED DRAIN HOLES COPYRIGHT REGAL BELOIT AMERICA, INC. ALL RIGHTS RESERVED. PROPRIETARY AND CONFIDENTIAL INFORMATION - THIS DOCUMENT IS THE PROPERTY OF REGAL BELOIT AMERICA, INC. (OWNER) AND CONTAINS OWNER'S PROPRIETARY INFORMATION. ANY PERSON, CORPORATION OR OTHER FIRM RECEIVING IT IS DEEMED, BY RECEIVING IT, TO AGREE THAT IT, AND/OR ANY PART OF IT, SHALL NOT BE DISCLOSED TO ANY PERSON, CORPORATION OR OTHER ENTITY, DUPLICATED, AND/OR USED, EXCEPT AS EXPRESSLY APPROVED IN WRITING IN ADVANCE BY OWNER. THIS DOCUMENT SHALL BE RETURNED TO OWNER UPON REQUEST. IT MAY BE SUBJECT TO CERTAIN RESTRICTIONS UNDER APPLICABLE EXPORT CONTROL LAWS AND REGULATIONS.			THIRD ANGLE PROJECTION	SIZE B	DRAWING NUMBER 031900	PROCESS/FINISH
						SHEET 1 OF 1