

PRODUCT INFORMATION PACKET



Model No: C4D17NZ21C

Catalog No: 108704.00

..1/4HP..60RPM.P1102-48.TENV.90V..DC.....C4D17NZ21C.P1100...29:1.DC GEARMOTORS
FHP..238LBIN..DOUBLE....

P1100 Series



Regal and Leeson are trademarks of Regal Beloit Corporation or one of its affiliated companies.

©2018 Regal Beloit Corporation, All Rights Reserved. MC017097E





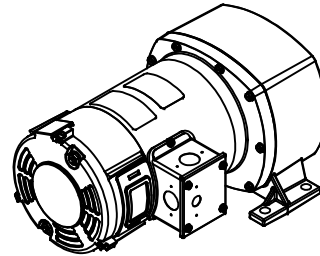
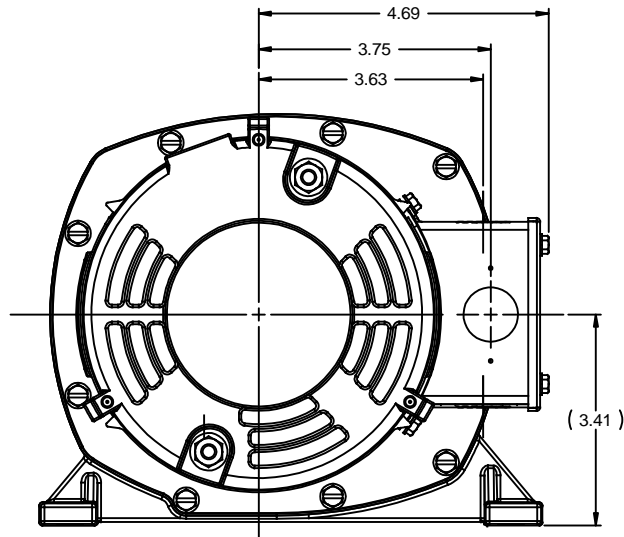
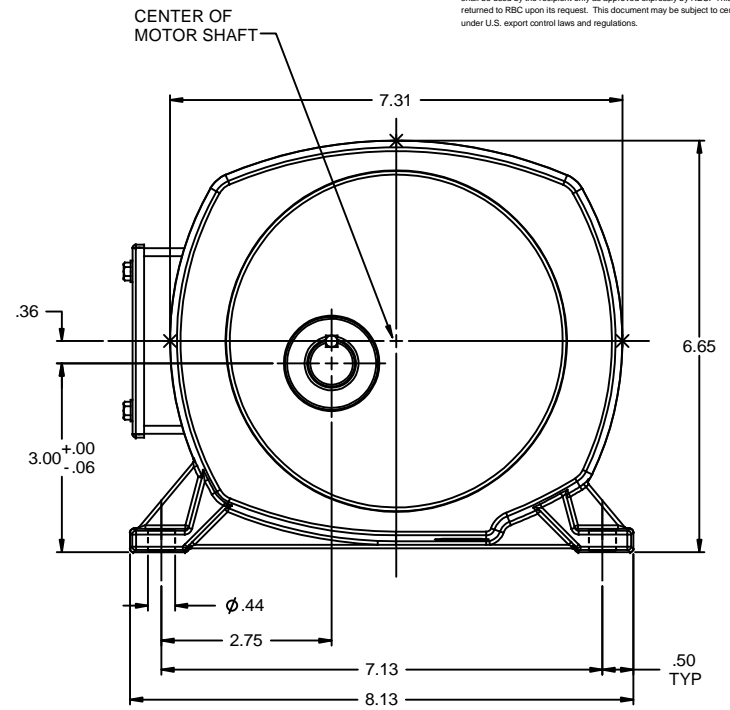
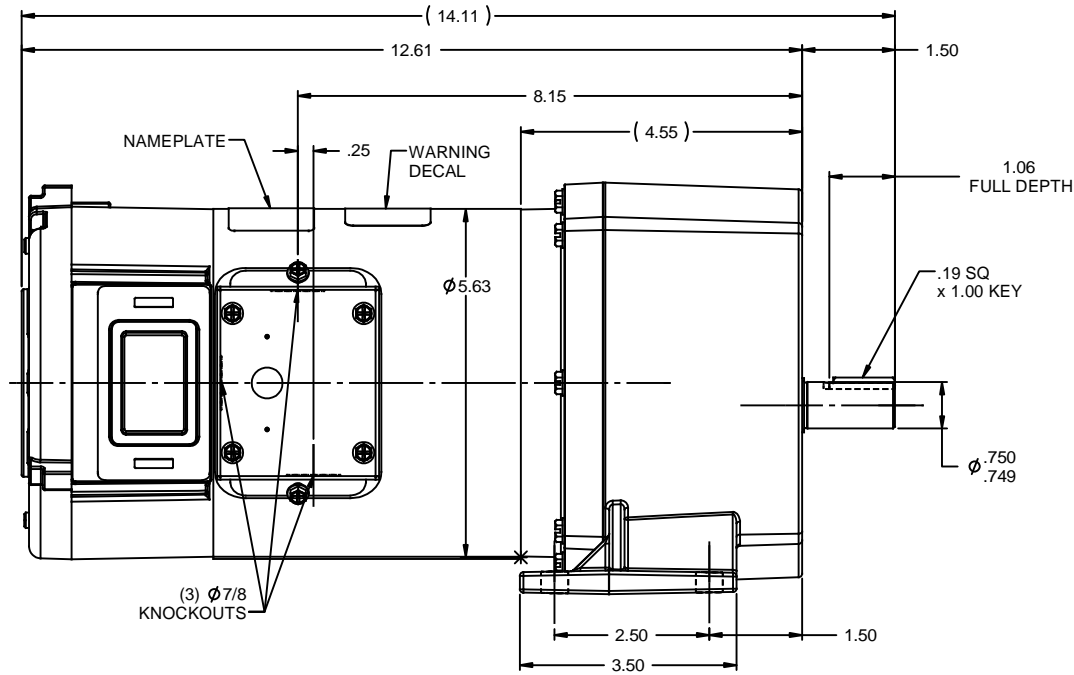
Nameplate Specifications

Output HP	0.25 Hp	Output KW	0.19 kW
Voltage	90 V	Current	2.7 A
Speed	60 rpm	Service Factor	1
Efficiency	64.7 %	Duty	Continuous
Insulation Class	F	Frame	48Y
Enclosure	Totally Enclosed Non Ventilated	Overload Protector	No
Ambient Temperature	40 °C	Drive End Bearing Size	6203
Opp Drive End Bearing Size	6203	UL	Recognized
CSA	Y	CE	N

Technical Specifications

Rotation	Reversible	Mounting	Special
Shaft Type	Parallel	Overall Length	14.11 in
Frame Length	4.97 in	Shaft Diameter	0.750 in
Shaft Extension	1.5 in		
Outline Drawing	032033-108704	Connection Diagram	NONE

This is an uncontrolled document once printed or downloaded and is subject to change without notice. Date Created: 10/15/2018



NOTES:
 1) GEARBOX OIL: MOBIL-MOBIL GEAR 600XP-320

CATALOG No.	VOLTS	INPUT HP	GEAR RATIO	RPM	F.L. TORQUE (LB-IN)
108706.00	90	1/4	13:1	135	105
108705.00	90	1/4	19:1	92	160
108704.00	90	1/4	29:1	60	238
108703.00	90	1/4	42:1	42	353
108702.00	90	1/4	95:1	18	750
108701.00	90	1/4	143:1	12	1030
108700.00	90	1/4	212:1	8	1087

TOLERANCES UNLESS SPECIFIED		LEESON	ELECTRIC MOTORS GEARMOTORS AND DRIVES	DRAWN IPG 6/9/10						
DEC	INCHES				CHK					
x	±.1		APPR							
.xx	±.03	TITLE	SCALE	1:2						
.xxx	±.005	48 FRAME DC - P1100 GEARBOX	REF	031210						
.xxxx	±.0005	MATL	FMF	108700.00						
RELEASED: REF. 031210 & 032031	IPG 6/9/2010	FINISH	PAGE	OF						
NO	REVISION	BY & DATE	CHK	ANG	±1/2°	FINISH	PREV	SIZE	DRAWING NO	REV
			RFP					B	032033	
	THIRD ANGLE PROJECTION		NETWORK FILE NAME	032033						