

PRODUCT INFORMATION PACKET



Model No: C4D17FZ24C

Catalog No: 108708.00

..1/2HP..33RPM.P1103-48.TEFC.90V..DC.....C4D17FZ24C.P1100...53:1.DC GEARMOTORS
FHP..822LBIN..TRIPLE....

P1100 Series



Regal and Leeson are trademarks of Regal Beloit Corporation or one of its affiliated companies.

©2018 Regal Beloit Corporation, All Rights Reserved. MC017097E





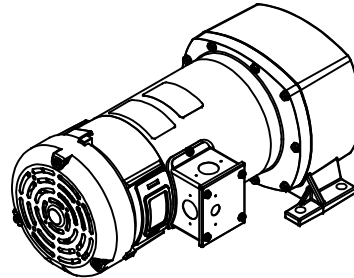
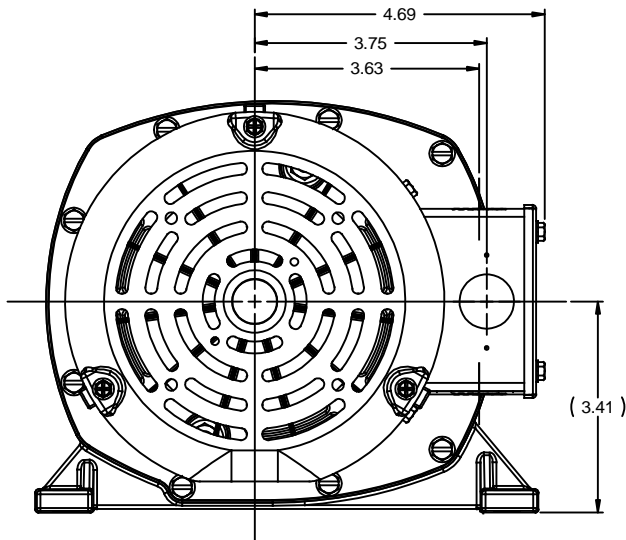
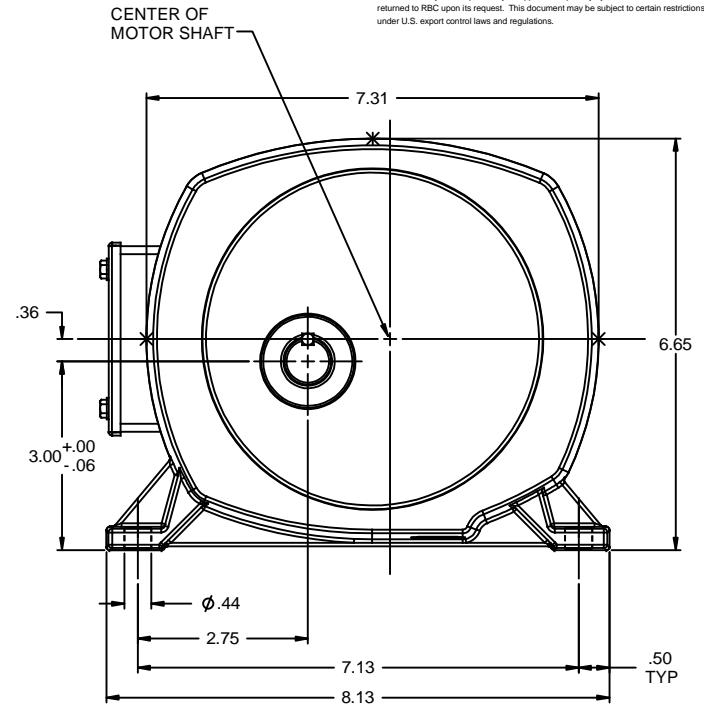
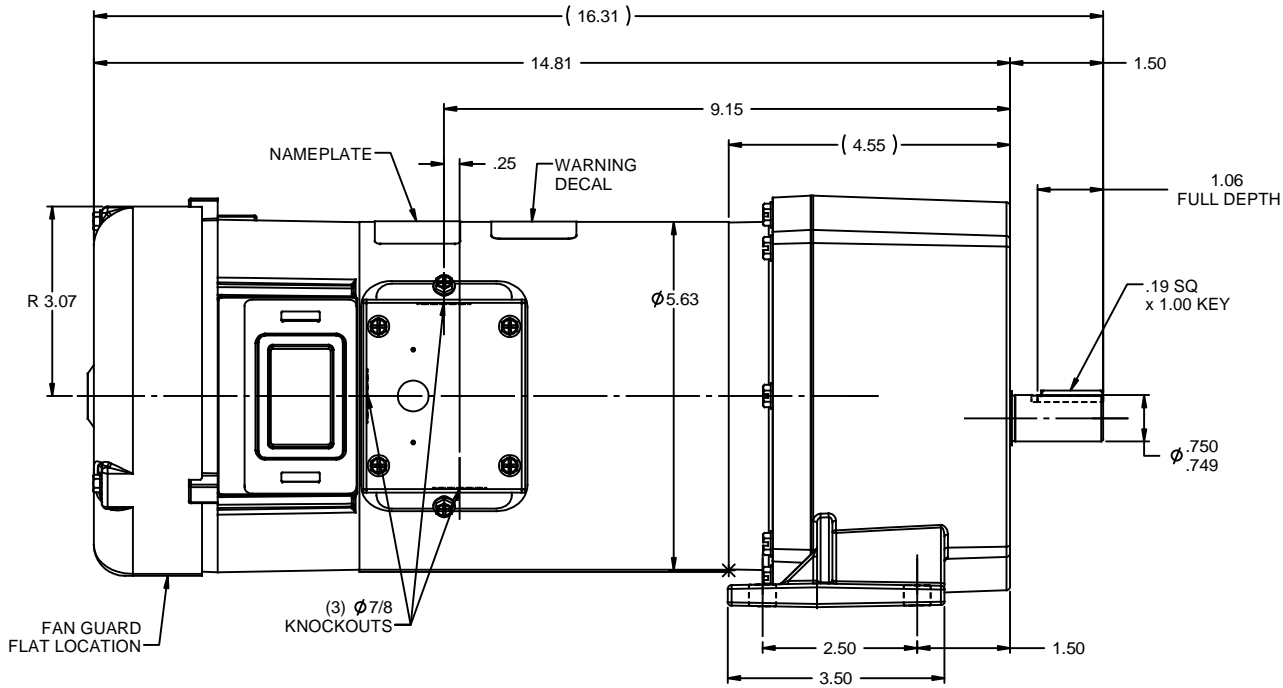
Nameplate Specifications

Output HP	0.50 Hp	Output KW	0.37 kW
Voltage	90 V	Current	5.0 A
Speed	33 rpm	Service Factor	1
Efficiency	68.3 %	Duty	Continuous
Insulation Class	F	Frame	48Y
Enclosure	Totally Enclosed Fan Cooled	Overload Protector	No
Ambient Temperature	40 °C	Drive End Bearing Size	6203
Opp Drive End Bearing Size	6203	UL	Recognized
CSA	Y	CE	N

Technical Specifications

Rotation	Reversible	Mounting	Special
Shaft Type	Parallel	Overall Length	16.31 in
Frame Length	5.97 in	Shaft Diameter	0.750 in
Shaft Extension	1.5 in		
Outline Drawing	032031-108708	Connection Diagram	NONE

This is an uncontrolled document once printed or downloaded and is subject to change without notice. Date Created: 10/15/2018



NOTES:
 1) GEARBOX OIL: MOBIL-MOBIL GEAR 600XP-320

108712.00	90	1/2	13:1	135	210
108711.00	90	1/2	19:1	92	320
108710.00	90	1/2	29:1	60	476
108709.00	90	1/2	42:1	42	705
108708.00	90	1/2	53:1	33	822
108707.00	90	1/2	95:1	18	1112
CATALOG No.	VOLTS	INPUT HP	GEAR RATIO	RPM	F.L. TORQUE (LB-IN)

TOLERANCES UNLESS SPECIFIED			ELECTRIC MOTORS GEARMOTORS AND DRIVES		DRAWN
DEC	INCHES				IPG 6/2/10
X	$\pm .1$				CHK
.XX	$\pm .03$	TITLE	OUTLINE		APPR
.XXX	$\pm .005$		48 FRAME DC - P1100 GEARBOX		SCALE
00	RELEASED: REF. 031211 & 031879	IPG	6/2/2010	PG	XXX
NO	REVISION	BY & DATE	CHK	ANG	$\pm 1/2^\circ$
			RFP	PREV	
			NETWORK FILE NAME		032031
			SIZE	DRAWING NO	REV
			B	032031	00