

# PRODUCT INFORMATION PACKET



Model No: C4D17NZ44B

Catalog No: 108730.00

P1100...29:1.60RPM.238LBIN.1/4HP.P1102-48..DOUBLE..12V..TENV.C4D17NZ44B

P1100 Series



Regal and Leeson are trademarks of Regal Beloit Corporation or one of its affiliated companies.

©2018 Regal Beloit Corporation, All Rights Reserved. MC017097E





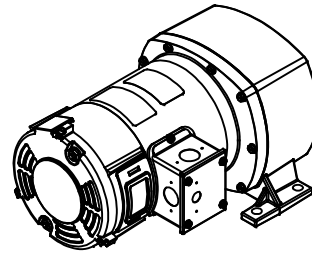
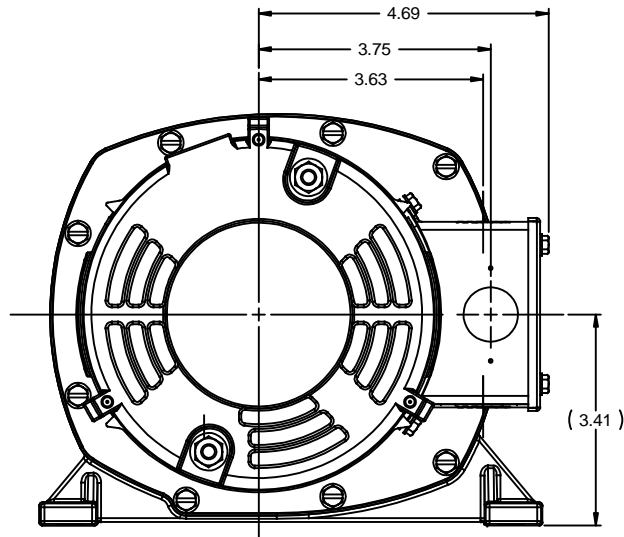
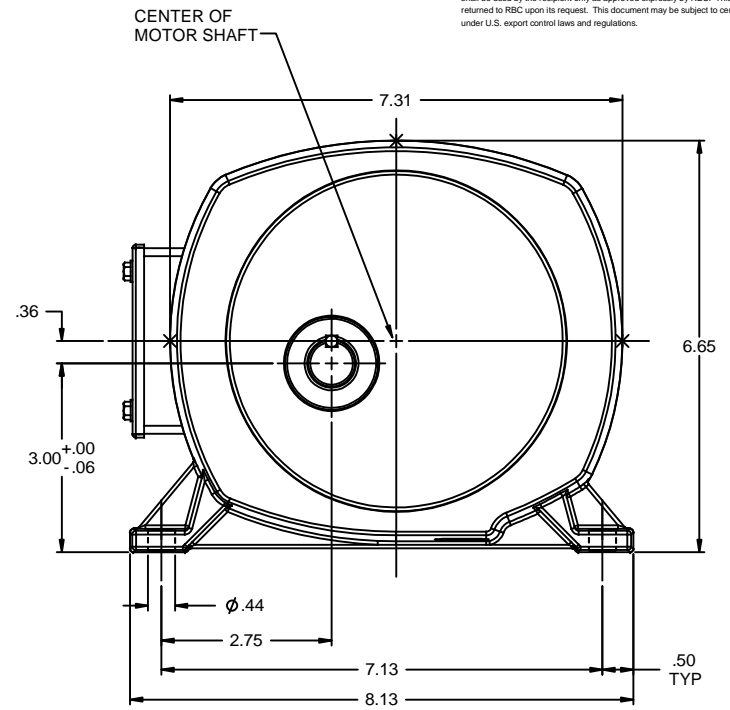
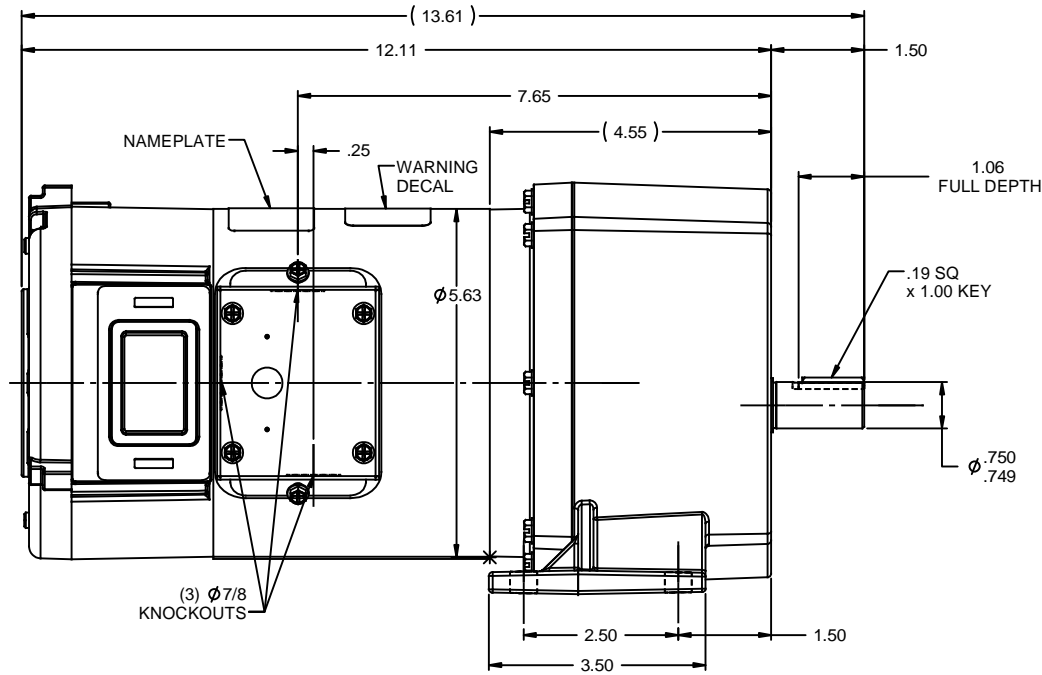
### Nameplate Specifications

Output HP	0.25 Hp	Output KW	0.19 kW
Voltage	12 V	Current	21.0 A
Speed	60 rpm	Service Factor	1
Efficiency	62.4 %	Duty	Continuous
Insulation Class	F	Frame	48Y
Enclosure	Totally Enclosed Non Ventilated	Overload Protector	No
Ambient Temperature	40 °C	Drive End Bearing Size	6203
Opp Drive End Bearing Size	6203	UL	Recognized
CSA	Y	CE	N

### Technical Specifications

Rotation	Reversible	Mounting	Special
Shaft Type	Parallel	Overall Length	13.61 in
Frame Length	4.47 in	Shaft Diameter	0.750 in
Shaft Extension	1.5 in		
Outline Drawing	032034-108730	Connection Diagram	NONE

This is an uncontrolled document once printed or downloaded and is subject to change without notice. Date Created: 10/15/2018



NOTES:  
 1) GEARBOX OIL: MOBIL-MOBIL GEAR 600XP-320

108730.00	12	1/4	29:1	60	238
108729.00	12	1/4	212:1	8	1087
CATALOG No.	VOLTS	INPUT HP	GEAR RATIO	RPM	F.L. TORQUE (LB-IN)

			TOLERANCES UNLESS SPECIFIED		ELECTRIC MOTORS GEARMOTORS AND DRIVES		DRAWN IPG 6/15/10	
			DEC INCHES				CHK	
			X ±.1		APPR		SCALE 1:2	
			.XX ±.03		TITLE OUTLINE		REF 031612	
			.XXX ±.005		48 FRAME DC - P1100 GEARBOX		FMF 108729.00	
RELEASED: REF. 031612 & 032033			IPG 6/15/2010		MATL		PAGE OF	
NO			REVISION		BY & DATE		RFP	
THIRD ANGLE PROJECTION			CHK ANG ±1/2°		FINISH		PREV	
			RFP		PREV		SIZE DRAWING NO	
			NETWORK FILE NAME 032034		B		032034	
							REV	