

PRODUCT INFORMATION PACKET



Model No: P6K17DK12G

Catalog No: 113281.00

2HP..1725RPM.56H.DP./V.1PH.60HZ.CONT.MANUAL.40C.1.15SF.RIGID C.GENERAL
PURPOSE.P6K17DK12G

Pressure Washers



Regal and Leeson are trademarks of Regal Beloit Corporation or one of its affiliated companies.

©2018 Regal Beloit Corporation, All Rights Reserved. MC017097E



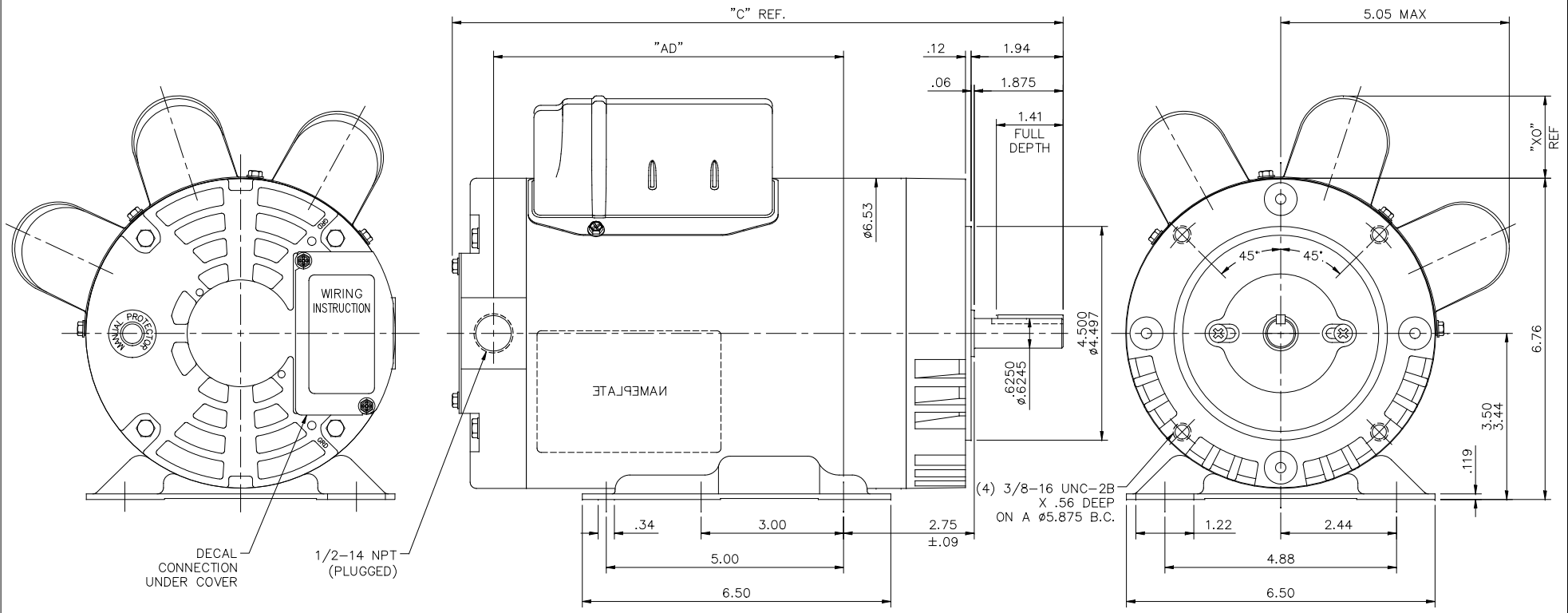


Nameplate Specifications

Output HP	2 Hp	Output KW	1.5 kW
Frequency	60 Hz	Voltage	115/208-230 V
Current	17.2/8.6 A	Speed	1725 rpm
Service Factor	1.15	Phase	1
Efficiency	79 %	Duty	Continuous
Insulation Class	B	Design Code	L
KVA Code	J	Frame	56HC
Enclosure	Drip Proof	Overload Protector	Manual
Ambient Temperature	40 °C	Drive End Bearing Size	6203
Opp Drive End Bearing Size	6203	UL	Recognized (Not Protector)
CSA	Y	CE	N
IP Code	22		

Technical Specifications

Electrical Type	Capacitor Start Capacitor Run	Starting Method	Across The Line
Poles	4	Rotation	Selective Counterclockwise
Mounting	Rigid base	Motor Orientation	HORIZONTAL
Drive End Bearing	BALL	Opp Drive End Bearing	BALL
Frame Material	Rolled Steel	Shaft Type	NEMA 56
Overall Length	12.87 in	Frame Length	8.00 in
Shaft Diameter	0.625 in	Shaft Extension	1.88 in
Assembly/Box Mounting	F1 ONLY		
Outline Drawing	028756-800B	Connection Diagram	005053.11

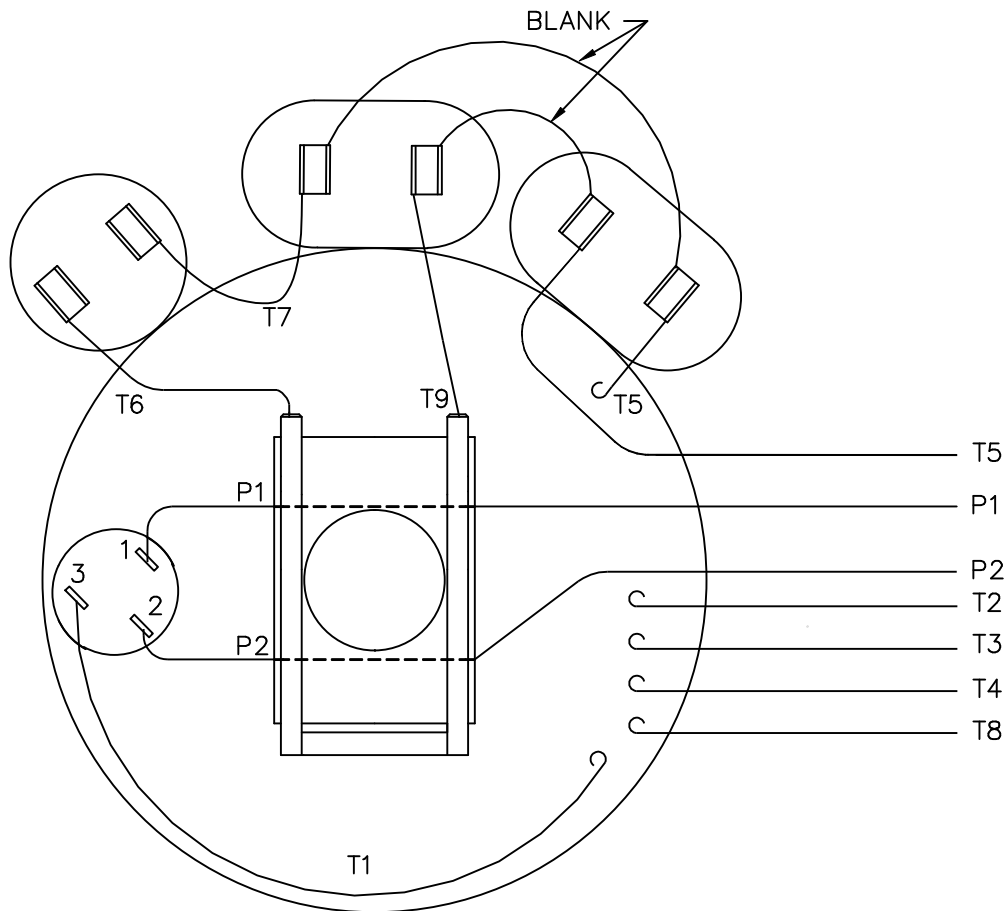


DASH NO.	"C"	"AD"	CAP. DASH	"XO"
700	11.87	6.38	A	1.25
750	12.37	6.88	B	1.75
800	12.87	7.38	C	2.00
850	13.37	7.88		

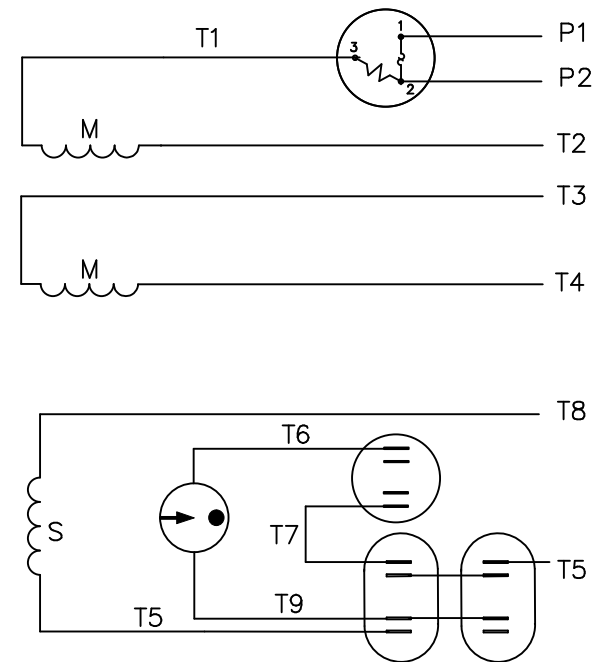
MAXIMUM FACE RUNOUT .004 T.I.R.
 MAXIMUM PILOT ECCENTRICITY .004 T.I.R.
 PERMISSIBLE SHAFT RUNOUT .002 T.I.R.

				TOLERANCES UNLESS SPECIFIED		TITLE	ELECTRIC MOTORS GEARMOTORS AND DRIVES	DRAWN	RDW	8/4/06	
				DEC.	INCHES			CHK	APPD	SW	8/4/06
				.X	±.1	OUTLINE- 56HC FRAME DRIP PROOF - RIGID "C"	GENERAL PURPOSE	SCALE	1=2		
				.XX	±.03			REF	034030		
				.XXX	±.005			FMF	113281		
01	ADDED MYLAR NAMEPLATE AS PER ECR-0151946	DS	04/24/18	SN	.XXX	±.0005	MAT'L.				
NO.	REVISION	BY & DATE	CHK	ANG	±1/2'	FINISH		PREV			
THIS DRAWING IN DESIGN AND DETAIL IS OUR PROPERTY AND MUST NOT BE USED EXCEPT IN CONNECTION WITH OUR WORK ALL RIGHTS OF DESIGN AND INVENTION ARE RESERVED THIS IS AN ELECTRONICALLY GENERATED DOCUMENT - DO NOT SCALE THIS PRINT							CAD FILE	028756	SIZE	B	
							DRAWING NO.	028756	REV.	01	

VIEW FROM OUTSIDE OF MOTOR AT SWITCH END.



LINE LEADS



	ROTATION FACING LEAD END	L1	L2	JOIN	INSULATE SEPARATELY
HIGH VOLT	C.C.W.	P1	T4 T5	T2, T3 T8	P2
	C.W.	P1	T4 T8	T2, T3 T5	P2
LOW VOLT	C.C.W.	P1	T2, T4 T5	P2, T3 T8	----
	C.W.	P1	T2, T4 T8	P2, T3 T5	----

				TOLERANCES UNLESS OTHERWISE SPECIFIED		LEESON ELECTRIC CORPORATION					
				DECIMALS							
				.00	± .01	DRAWN	TEM	TITLE EXT. WIRING DIAGRAMS TYPE "K" W/PROTECTOR			
02	REMOVED P2 FROM WDG	DWF	RDW	09/24/99	.000	± .005	CH'K'D.				
01	REDRAWN ON CAD, PROT. WAS IN SIDE BOX		DBT	08/13/97	.0000	± .0005	APPR. 04/20/88	MAT'L. DECAL - 004011			
NO.	REVISION		BY	DATE	FRACTIONS	± 1/64	SCALE 1=1				BRF
THIS DRAWING IN DESIGN AND DETAIL IS OUR PROPERTY AND MUST NOT BE USED EXCEPT IN CONNECTION WITH OUR WORK ALL RIGHTS OF DESIGN AND INVENTION ARE RESERVED				ANGLES	± 1/2*	REF.	PG.11	FINISH	QUINTON	SIZE	
				INCH/MM		FMF	W-K63466-4		A	005053-11	