

# PRODUCT INFORMATION PACKET



Model No: M6K17DK15G

Catalog No: 113700.00

1 1/2HP..1725RPM.56H.DP.115/208-230V.1PH.60HZ.CONT.40C.1.15SF.RIGID  
C.M6K17DK15G.....GENERAL PURPOSE.MANUAL.....

Pressure Washers



Regal and Leeson are trademarks of Regal Beloit Corporation or one of its affiliated companies.

©2018 Regal Beloit Corporation, All Rights Reserved. MC017097E



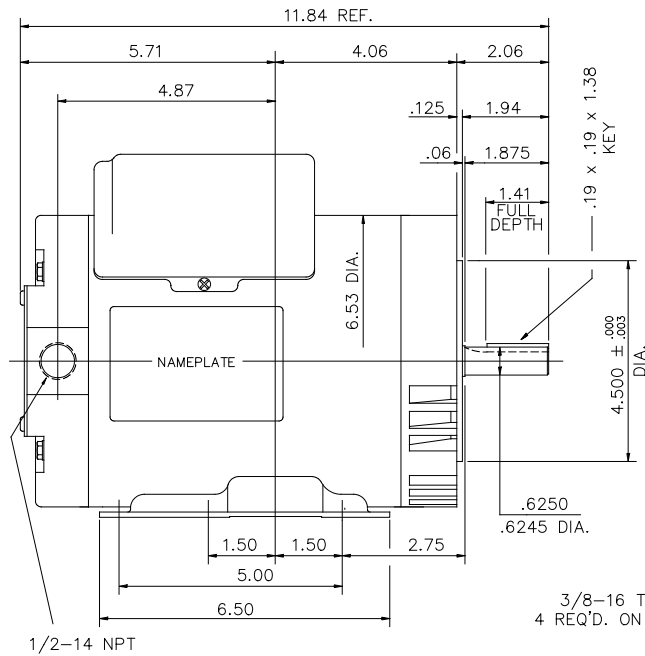
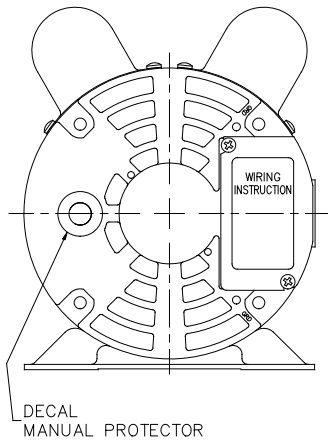


**Nameplate Specifications**

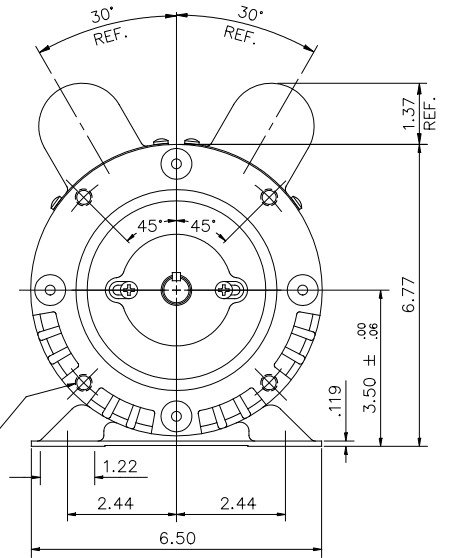
Output HP	<b>1.50 Hp</b>	Output KW	<b>1.1 kW</b>
Frequency	<b>60 Hz</b>	Voltage	<b>115/208-230 V</b>
Current	<b>14.4/7.7-7.2 A</b>	Speed	<b>1725 rpm</b>
Service Factor	<b>1.15</b>	Phase	<b>1</b>
Efficiency	<b>81 %</b>	Duty	<b>Continuous</b>
Insulation Class	<b>B</b>	Design Code	<b>M</b>
KVA Code	<b>G</b>	Frame	<b>56HC</b>
Enclosure	<b>Drip Proof</b>	Overload Protector	<b>Manual</b>
Ambient Temperature	<b>40 °C</b>	Drive End Bearing Size	<b>6203</b>
Opp Drive End Bearing Size	<b>6203</b>	UL	<b>Recognized</b>
CSA	<b>Y</b>	CE	<b>N</b>
IP Code	<b>22</b>		

**Technical Specifications**

Electrical Type	<b>Capacitor Start Capacitor Run</b>	Starting Method	<b>Across The Line</b>
Poles	<b>4</b>	Rotation	<b>Selective Counterclockwise</b>
Mounting	<b>Rigid base</b>	Motor Orientation	<b>HORIZONTAL</b>
Drive End Bearing	<b>BALL</b>	Opp Drive End Bearing	<b>BALL</b>
Frame Material	<b>Rolled Steel</b>	Shaft Type	<b>NEMA 56</b>
Overall Length	<b>11.84 in</b>	Frame Length	<b>7.00 in</b>
Shaft Diameter	<b>0.625 in</b>	Shaft Extension	<b>1.88 in</b>
Assembly/Box Mounting	<b>F1 ONLY</b>		
Outline Drawing	<b>OL113700</b>	Connection Diagram	<b>005053.01</b>



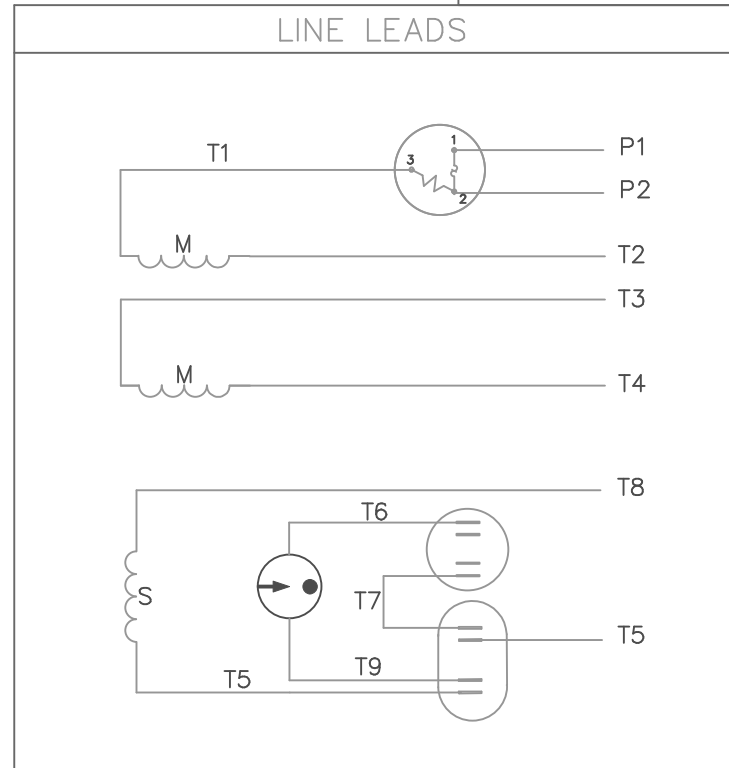
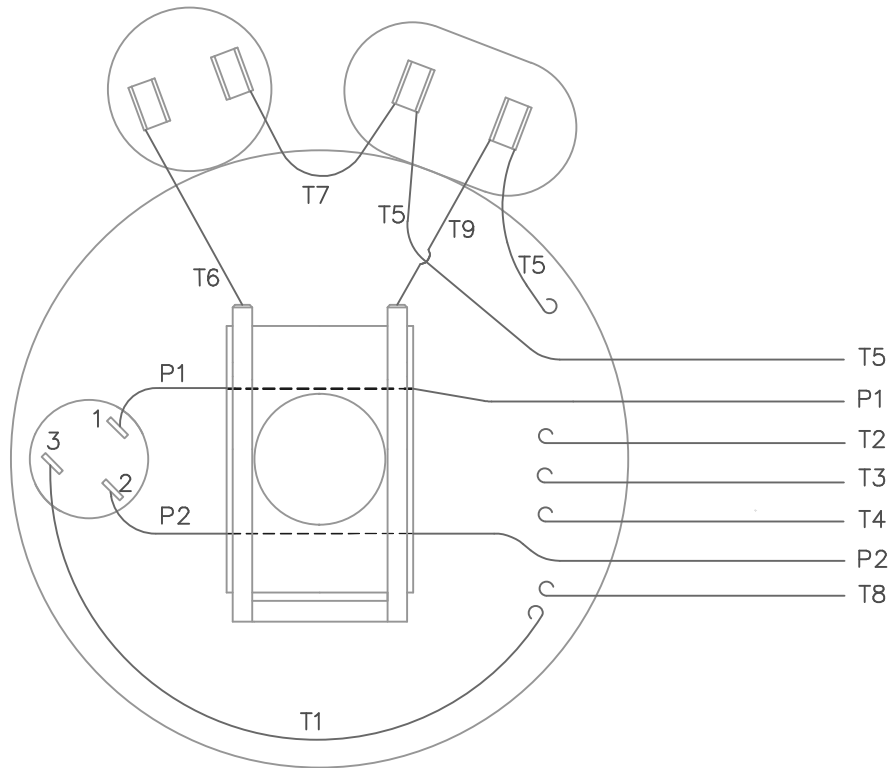
3/8-16 TAP - .56 DEEP  
4 REQ'D. ON A 5.875 D.I.A. B.C.



MAXIMUM FACE RUNOUT TO BE .004 T.I.R.  
MAXIMUM PILOT ECCENTRICITY .004 T.I.R.  
PERMISSIBLE SHAFT RUNOUT .002 T.I.R.

				TOLERANCES UNLESS OTHERWISE SPECIFIED			<b>LEESON ELECTRIC CORPORATION</b>					
				DEC.	INCHES	METRIC						
03	ADDED MYLAR NAMEPLATE AS PER ECR-0151946	DS	04/24/18	SN	.X	±.1	±2.5	DRAWN	BPW 01/06/00	TITLE	OUTLINE -- G56HC FRAME OPEN DRIP PROOF	
02	UPDATED C-FACE ENDBELL		ARV 10/18/05		.XX	±.03	±.76	APPR.				
01	ADDED DECLALS		RLW 8/31/01		.XXX	±.005	±.127	R.F.P.		MAT'L		
NO.	REVISION	BY & DATE	CH'K'D.		.XXXX	±.0005	±.0127	SCALE	3=8			
THIS DRAWING IN DESIGN AND DETAIL IS OUR PROPERTY AND MUST NOT BE USED EXCEPT IN CONNECTION WITH OUR WORK ALL RIGHTS OF DESIGN AND INVENTION ARE RESERVED THIS IS AN ELECTRONICALLY GENERATED DOCUMENT - DO NOT SCALE THIS PRINT					FRACTIONS	±1/64	REF.	033936	FINISH		REV.	DRAWING NO.
					ANGLES	± -	FMF		STANDARD	03	OL113700	

VIEW FROM OUTSIDE OF MOTOR AT SWITCH END.



	ROTATION FACING LEAD END	L1	L2	JOIN	INSULATE SEPARATELY
HIGH VOLT	C.C.W.	P1	T4 T5	T2,T3 T8	P2
	C.W.	P1	T4 T8	T2,T3 T5	P2
LOW VOLT	C.C.W.	P1	T2,T4 T5	P2,T3 T8	---
	C.W.	P1	T2,T4 T8	P2,T3 T5	---

				TOLERANCES UNLESS OTHERWISE SPECIFIED	
				DECIMALS	
				.00	± .01
				.000	± .005
18	REDRAWN ON CAD	DBT	05/27/97	.0000	± .0005
NO.	REVISION	BY	DATE	FRACTIONS	± 1/64
				ANGLES	± 1/2°
				INCH/MM	

**LEESON** ELECTRIC CORPORATION

DRAWN JRW 09/26/74	TITLE	EXTERNAL WIRING DIAGRAM TYPE "K" W/PROTECTOR	
CH'K'D.	MAT'L.	DECAL 004011	
APPR. TEM	<b>BRF</b>		
SCALE 1=1	FINISH	SIZE	DRAWING NO.
REF. 005004		A	005053-01
FMF W-K 6341			

THIS DRAWING IN DESIGN AND DETAIL IS OUR PROPERTY AND MUST NOT BE USED EXCEPT IN CONNECTION WITH OUR WORK ALL RIGHTS OF DESIGN AND INVENTION ARE RESERVED

