

# PRODUCT INFORMATION PACKET



Model No: M6K34DK8B

Catalog No: 114214.00

1 1/2HP..3450RPM.56.DP.115/208-230V.1PH.60HZ.CONT.40C.1.15SF.RIGID C.M6K34DK8B.....GENERAL  
PURPOSE.MANUAL.....

Pressure Washers



Regal and Leeson are trademarks of Regal Beloit Corporation or one of its affiliated companies.

©2018 Regal Beloit Corporation, All Rights Reserved. MC017097E



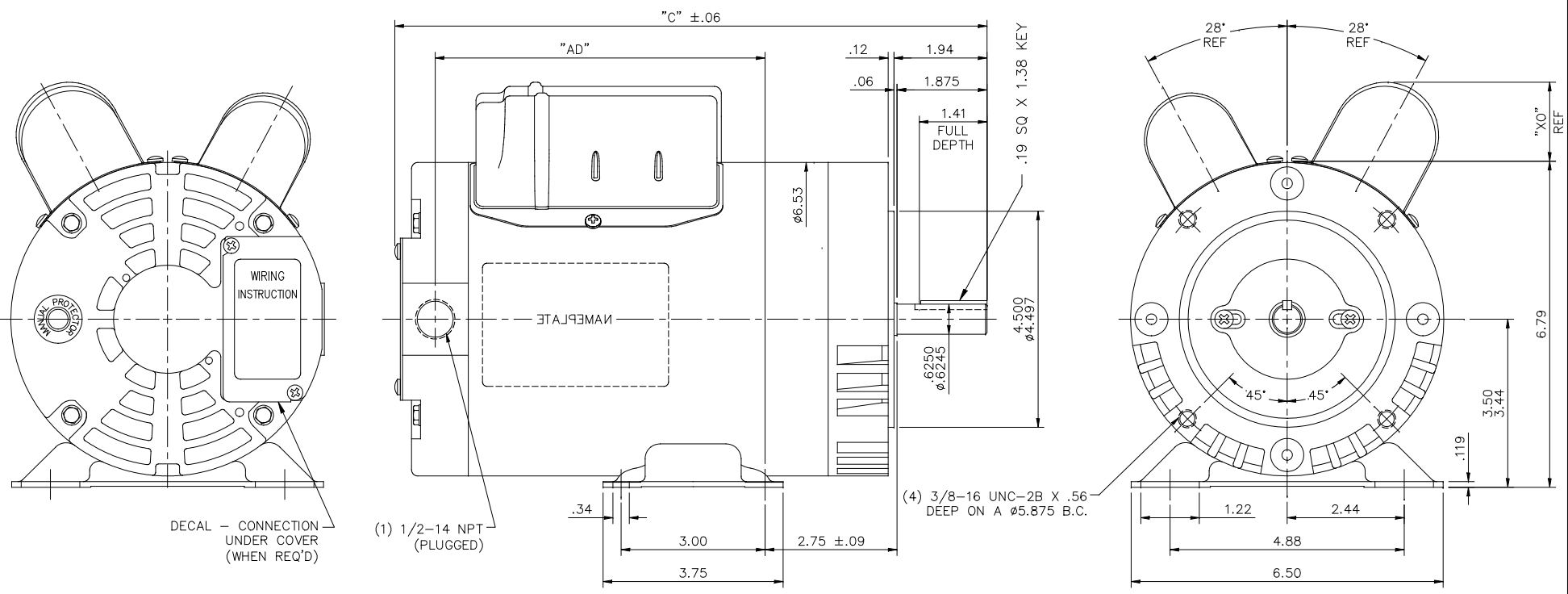


### Nameplate Specifications

Output HP	1.50 Hp	Output KW	1.1 kW
Frequency	60 Hz	Voltage	115/208-230 V
Current	12.4/6.8-6.2 A	Speed	3450 rpm
Service Factor	1.15	Phase	1
Efficiency	82.5 %	Duty	Continuous
Insulation Class	B	Design Code	L
KVA Code	H	Frame	56C
Enclosure	Drip Proof	Overload Protector	Manual
Ambient Temperature	40 °C	Drive End Bearing Size	6203
Opp Drive End Bearing Size	6203	UL	Recognized
CSA	Y	CE	N
IP Code	22		

### Technical Specifications

Electrical Type	Capacitor Start Capacitor Run	Starting Method	Across The Line
Poles	2	Rotation	Selective Counterclockwise
Mounting	Rigid base	Motor Orientation	HORIZONTAL
Drive End Bearing	BALL	Opp Drive End Bearing	BALL
Frame Material	Rolled Steel	Shaft Type	NEMA 56
Overall Length	11.34 in	Frame Length	6.50 in
Shaft Diameter	0.625 in	Shaft Extension	1.88 in
Assembly/Box Mounting	F1 ONLY		
Outline Drawing	028629-650B	Connection Diagram	005053.01

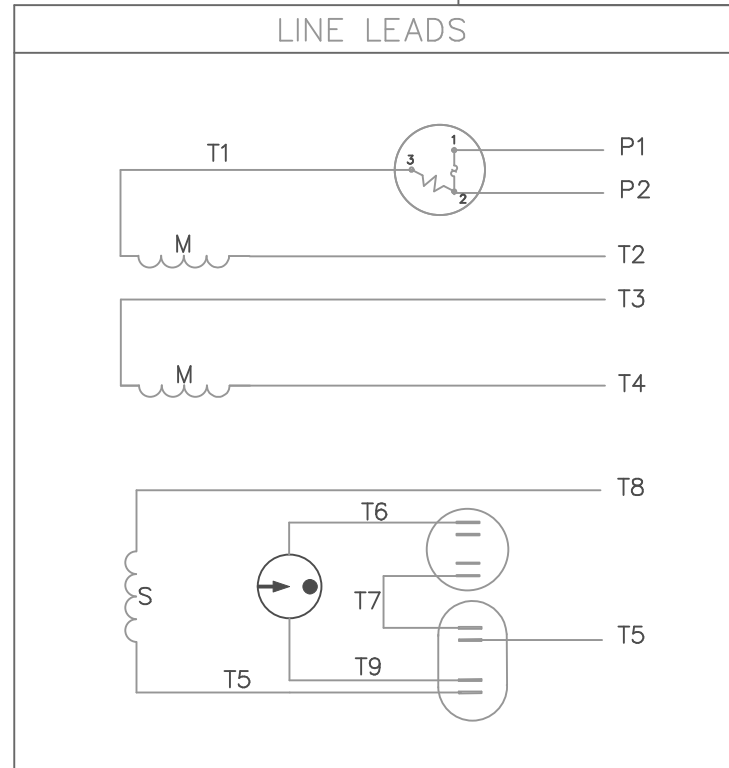
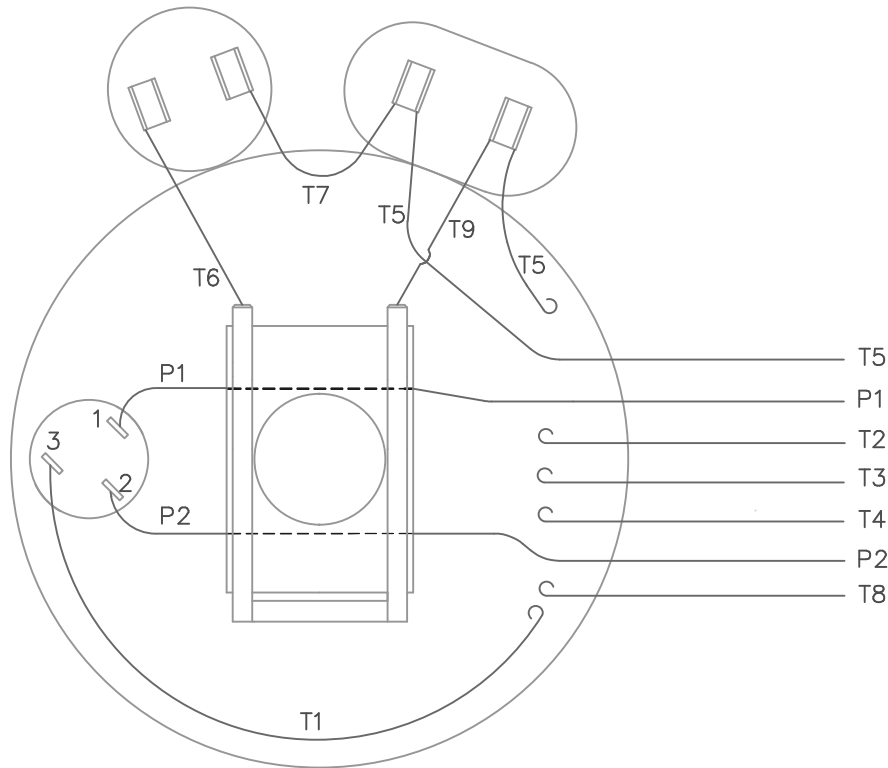


MAXIMUM FACE RUNOUT .004 T.I.R.  
 MAXIMUM PILOT ECCENTRICITY .004 T.I.R.  
 PERMISSIBLE SHAFT RUNOUT .002 T.I.R.

DASH NO.	"C"	"AD"	CAP. DASH	"XO"
650	11.34	6.32	A	1.08
700	11.84	6.82	B	1.42
750	12.34	7.32	C	1.69
800	12.84	7.82		
850	13.34	8.32		

				TOLERANCES UNLESS SPECIFIED		LEESON	ELECTRIC MOTORS GEARMOTORS AND DRIVES	DRAWN	RDW 9/30/04	
				DEC.	INCHES			CHK		
				.X	±.1			APPD	SW 9/30/04	
				.XX	±.03	TITLE		SCALE	1=2	
02	ADDED MYLAR NAMEPLATE AS PER ECR-0151946	DS	04/23/18	SN	.XXX	±.005	OUTLINE- 56 FRAME DRIP PROOF- RIGID "C"	REF	032684	
01	ADDED RUNOUT NOTES & TAPPED HOLE CALLOUT	RDW	10/19/05	SW	.XXXX	±.0005	MAT'L.	GENERAL PURPOSE	FMF	113631
NO.	REVISION	BY & DATE	CHK	ANG	±1/2"	FINISH	PREV			
THIS DRAWING IN DESIGN AND DETAIL IS OUR PROPERTY AND MUST NOT BE USED EXCEPT IN CONNECTION WITH OUR WORK ALL RIGHTS OF DESIGN AND INVENTION ARE RESERVED THIS IS AN ELECTRONICALLY GENERATED DOCUMENT - DO NOT SCALE THIS PRINT				RFP	9/30/04	CAD FILE	028629	SIZE	DRAWING NO.	
				DIST				B	028629	
									REV.	
									02	

VIEW FROM OUTSIDE OF MOTOR AT SWITCH END.



	ROTATION FACING LEAD END	L1	L2	JOIN	INSULATE SEPARATELY
HIGH VOLT	C.C.W.	P1	T4 T5	T2,T3 T8	P2
	C.W.	P1	T4 T8	T2,T3 T5	P2
LOW VOLT	C.C.W.	P1	T2,T4 T5	P2,T3 T8	---
	C.W.	P1	T2,T4 T8	P2,T3 T5	---

				TOLERANCES UNLESS OTHERWISE SPECIFIED	
				DECIMALS	
				.00	± .01
				.000	± .005
18	REDRAWN ON CAD	DBT	05/27/97	.0000	± .0005
NO.	REVISION	BY	DATE	FRACTIONS	± 1/64
				ANGLES	± 1/2°
				INCH/MM	

**LEESON** ELECTRIC CORPORATION

DRAWN JRW 09/26/74	TITLE	EXTERNAL WIRING DIAGRAM TYPE "K" W/PROTECTOR	
CH'K'D.	MAT'L.	DECAL 004011	
APPR. TEM	<b>BRF</b>		
SCALE 1=1			
REF. 005004	FINISH	SIZE	DRAWING NO.
FMF W-K 6341		A	005053-01

THIS DRAWING IN DESIGN AND DETAIL IS OUR PROPERTY AND MUST NOT BE USED EXCEPT IN CONNECTION WITH OUR WORK ALL RIGHTS OF DESIGN AND INVENTION ARE RESERVED

