

PRODUCT INFORMATION PACKET



Model No: P6K34FK15E
Catalog No: 114995.00
2HP..3450RPM.56H.TEFC./V.1PH.60HZ.CONT.MANUAL.40C.1.15SF.RIGID C.PRESSURE
WASHER.P6K34FK15E
Totally Enclosed Fan Cooled (TEFC)



Regal and Leeson are trademarks of Regal Beloit Corporation or one of its affiliated companies.
©2018 Regal Beloit Corporation, All Rights Reserved. MC017097E



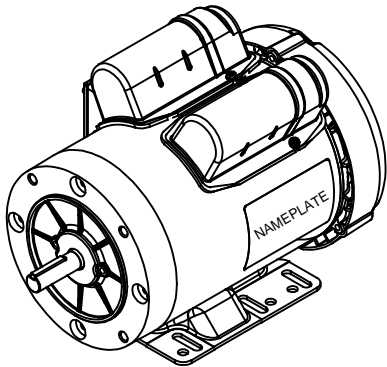
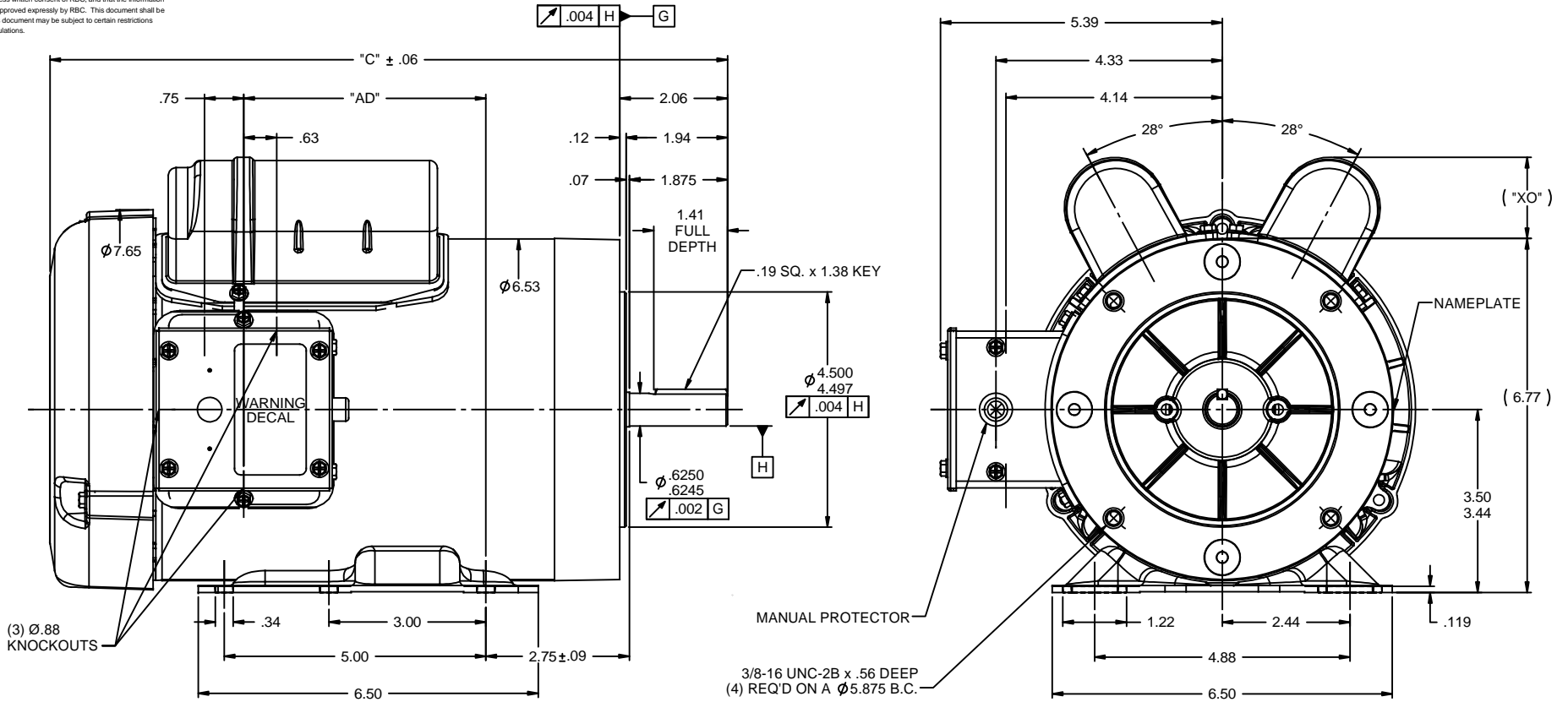


Nameplate Specifications

Output HP	2 Hp	Output KW	1.5 kW
Frequency	60 Hz	Voltage	115/230 V
Current	17.0/8.5 A	Speed	3450 rpm
Service Factor	1.15	Phase	1
Efficiency	78.5 %	Duty	Continuous
Insulation Class	F	Design Code	L
KVA Code	H	Frame	56HC
Enclosure	Totally Enclosed Fan Cooled	Overload Protector	Manual
Ambient Temperature	40 °C	Drive End Bearing Size	6203
Opp Drive End Bearing Size	6203	UL	Recognized
CSA	Y	CE	N
IP Code	43		

Technical Specifications

Electrical Type	Capacitor Start Capacitor Run	Starting Method	Across The Line
Poles	2	Rotation	Selective Counterclockwise
Mounting	Rigid base	Motor Orientation	HORIZONTAL
Drive End Bearing	BALL	Opp Drive End Bearing	BALL
Frame Material	Rolled Steel	Shaft Type	NEMA 56
Overall Length	12.84 in	Frame Length	8.00 in
Shaft Diameter	0.625 in	Shaft Extension	1.88 in
Assembly/Box Mounting	F1 ONLY		
Outline Drawing	028882-800C	Connection Diagram	005053.02



DASH NO.	"C"	"AD"	CAP. DASH	"XO"
700	12.48	4.13	A	1.06
750	12.98	4.63	B	1.51
800	13.48	5.13	C	1.73
850	13.98	5.63		

NOTES:
 1) GASKETS THROUGHOUT.

REVISION		BY & DATE	CHK	ANG	FINISH	SCALE	DRAWING NO	REV
THIRD ANGLE PROJECTION			RFP	09/16/08	PREV	1:2	028882	
			CHK	ANG	FINISH			
			DEC	INCHES				
			X	±.1				
			.XX	±.03				
			.XXX	±.005				
			.XXX.X	±.0005				
			TOLERANCES UNLESS SPECIFIED					
			TITLE		OUTLINE - G56HC FRAME			
					T.E.F.C. - RIGID "C"			
			MATL					
			DRAWN		GRB 09/16/08			
			CHK		DJ 09/16/08			
			APPR					
			REF		028861			
			FMF		115048.00			
			PAGE		1 OF 1			
			SIZE		B			
			DRAWING NO		028882			
			NETWORK FILE NAME					



**ELECTRIC MOTORS
 GEARMOTORS
 AND DRIVES**

DRAWN GRB 09/16/08

CHK DJ 09/16/08

APPR

SCALE 1:2

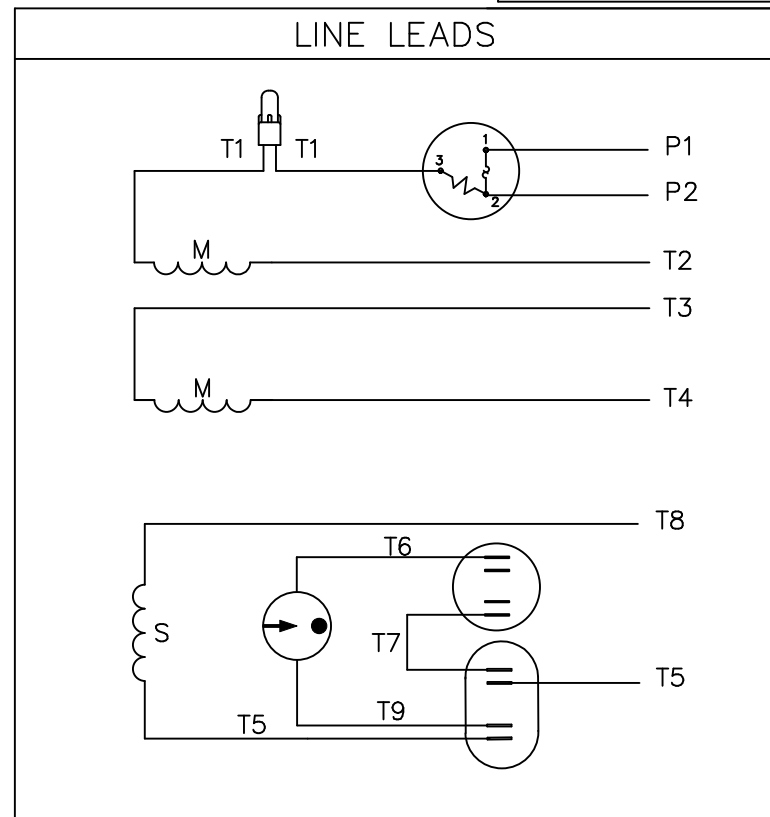
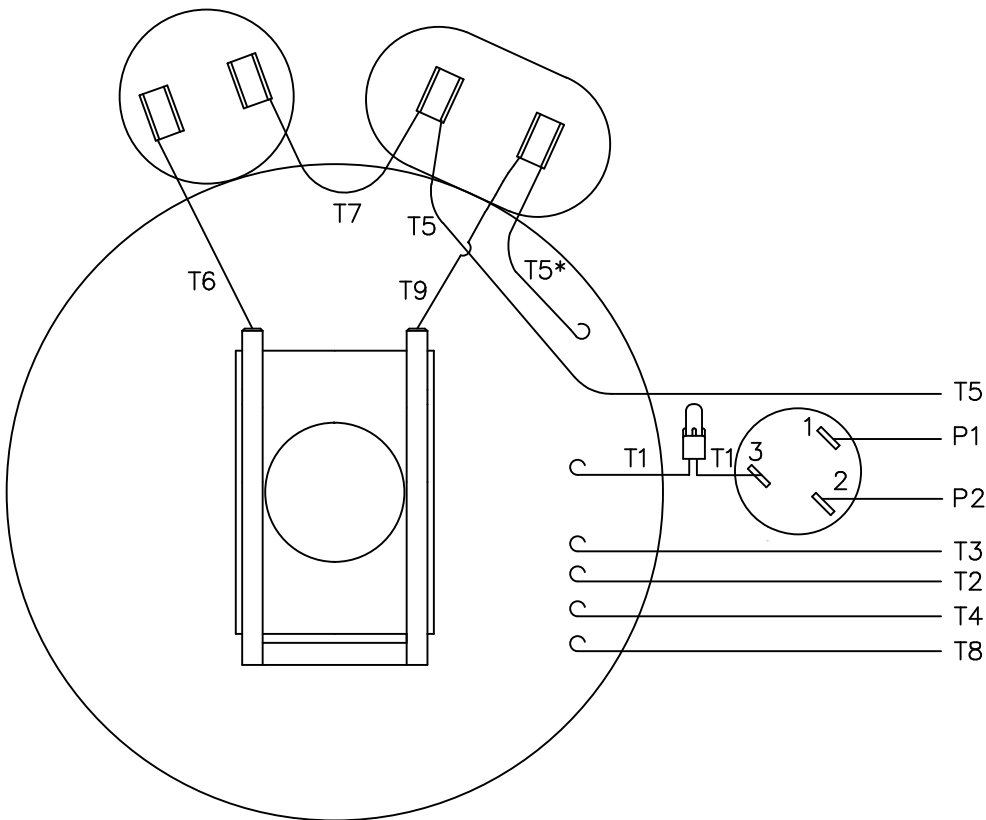
REF 028861

FMF 115048.00

PAGE 1 OF 1

SIZE B DRAWING NO 028882 REV

VIEW FROM OUTSIDE OF MOTOR AT SWITCH END.



	ROTATION FACING LEAD END	L1	L2	JOIN	INSULATE SEPARATELY
HIGH VOLT	C.C.W.	P1	T4 T5	T2,T3 T8	P2
	C.W.	P1	T4 T8	T2,T3 T5	P2
LOW VOLT	C.C.W.	P1	T2,T4 T5	P2,T3 T8	-----
	C.W.	P1	T2,T4 T8	P2,T3 T5	-----

* THIS LEAD MAY BE WHITE

		TOLERANCES UNLESS SPECIFIED	
		DEC.	INCHES
		.X	±.1
		.XX	±.01
04	ADDED "*" TO T5	RLW 7/22/02	.XXX ±.005
03	REDRAWN ON CAD	DBT 05/27/97	.XXXX ±.0005
NO.	REVISION	BY & DATE	CHK ANG ±1/2"

REGAL-BELOIT Motor Technologies Group

REGAL-BELOIT Motor Technologies Group

EXTERNAL WIRING DIAGRAM TYPE "K" W/PROTECTOR

DECAL 004011

FINISH	CAD FILE	00505302	SIZE	DRAWING NO.	REV.
RFP	DIST		A	005053-02	04

DRAWN ADH 06/16/76
CHK WRK 06/30/76
APPD
SCALE 1=1
REF
FMF 6K17FB8A
PREV

