

PRODUCT INFORMATION PACKET



Model No: P6K34FK17E

Catalog No: 115048.00

3HP..3450RPM.56H.TEFC./V.1PH.60HZ.CONT.MANUAL.40C.1.0SF.RIGID C.PRESSURE
WASHER.P6K34FK17E

Totally Enclosed Fan Cooled (TEFC)



Regal and Leeson are trademarks of Regal Beloit Corporation or one of its affiliated companies.

©2018 Regal Beloit Corporation, All Rights Reserved. MC017097E



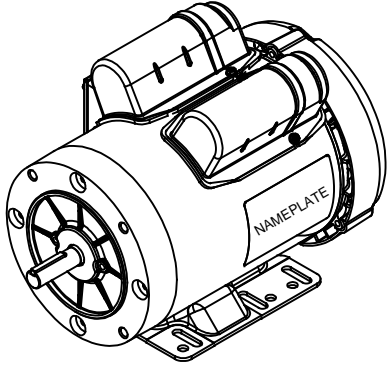
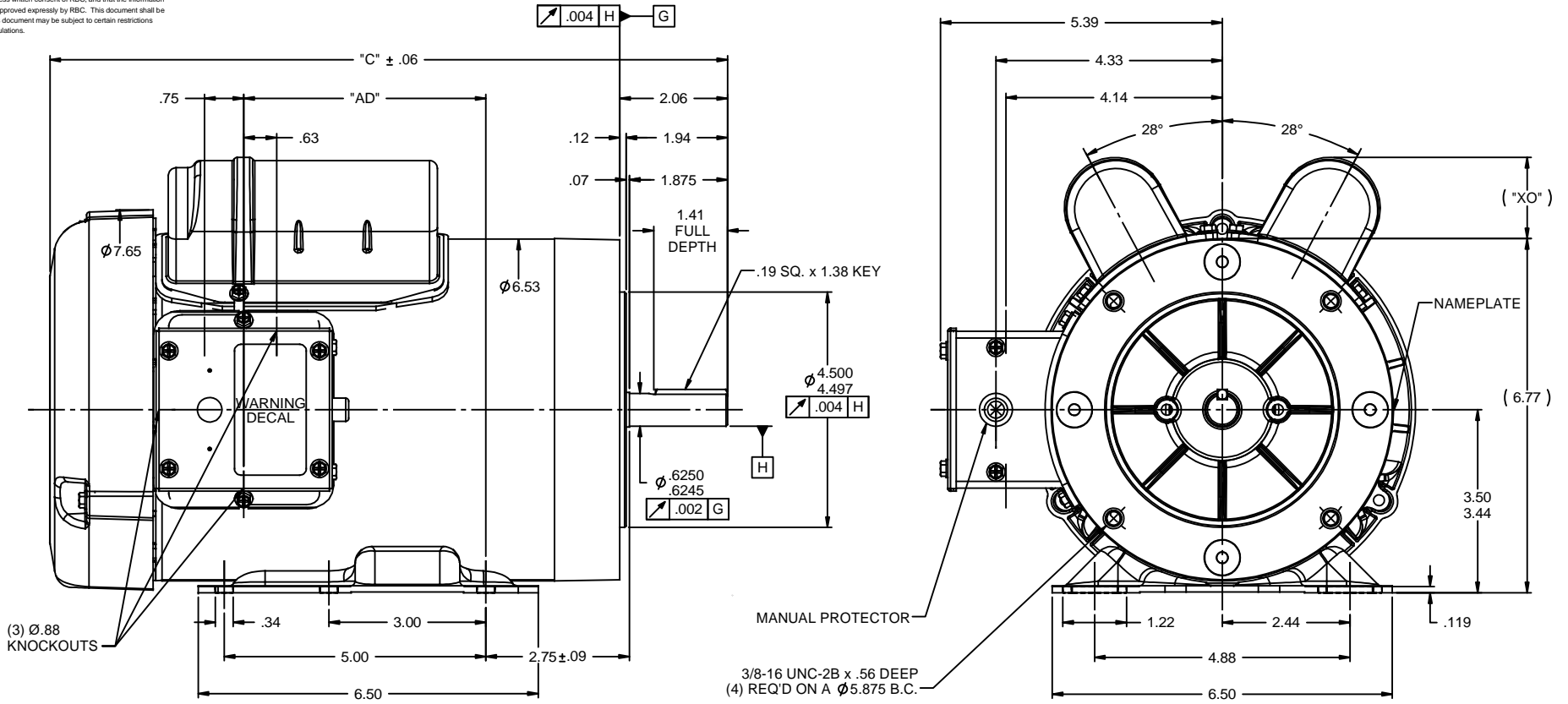


Nameplate Specifications

Output HP	3 Hp	Output KW	2.2 kW
Frequency	60 Hz	Voltage	208-230 V
Current	14.0-13.0 A	Speed	3450 rpm
Service Factor	1	Phase	1
Efficiency	81.5 %	Duty	Continuous
Insulation Class	F	Design Code	L
KVA Code	J	Frame	56HC
Enclosure	Totally Enclosed Fan Cooled	Overload Protector	Manual
Ambient Temperature	40 °C	Drive End Bearing Size	6203
Opp Drive End Bearing Size	6203	UL	Recognized
CSA	Y	CE	N
IP Code	43		

Technical Specifications

Electrical Type	Capacitor Start Capacitor Run	Starting Method	Across The Line
Poles	2	Rotation	Selective Counterclockwise
Mounting	Rigid base	Motor Orientation	HORIZONTAL
Drive End Bearing	BALL	Opp Drive End Bearing	BALL
Frame Material	Rolled Steel	Shaft Type	NEMA 56
Overall Length	13.98 in	Frame Length	8.50 in
Shaft Diameter	0.625 in	Shaft Extension	1.88 in
Assembly/Box Mounting	F1 ONLY		
Outline Drawing	028882-850C	Connection Diagram	005056.03



DASH NO.	"C"	"AD"	CAP. DASH	"XO"
700	12.48	4.13	A	1.06
750	12.98	4.63	B	1.51
800	13.48	5.13	C	1.73
850	13.98	5.63		

NOTES:
 1) GASKETS THROUGHOUT.

REVISION		BY & DATE	CHK	ANG	±1/2°	FINISH	SIZE	DRAWING NO	REV
NO			RFP	09/16/08	PREV		B	028882	

TOLERANCES UNLESS SPECIFIED	DEC	INCHES
x	±.1	
.xx	±.03	
.xxx	±.005	
.xxxx	±.0005	

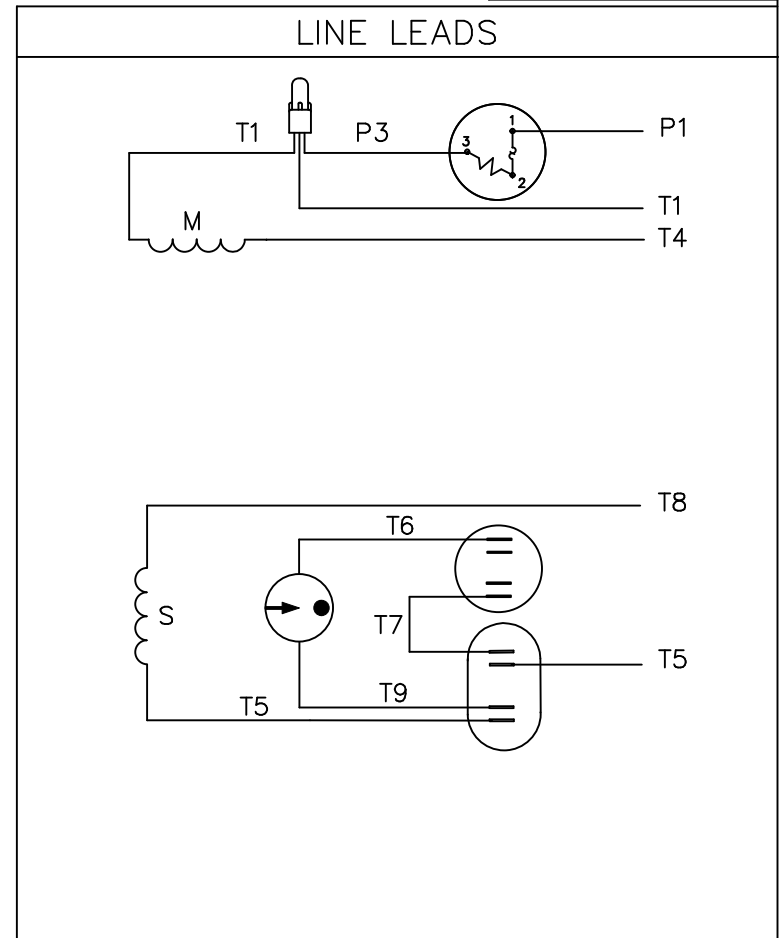
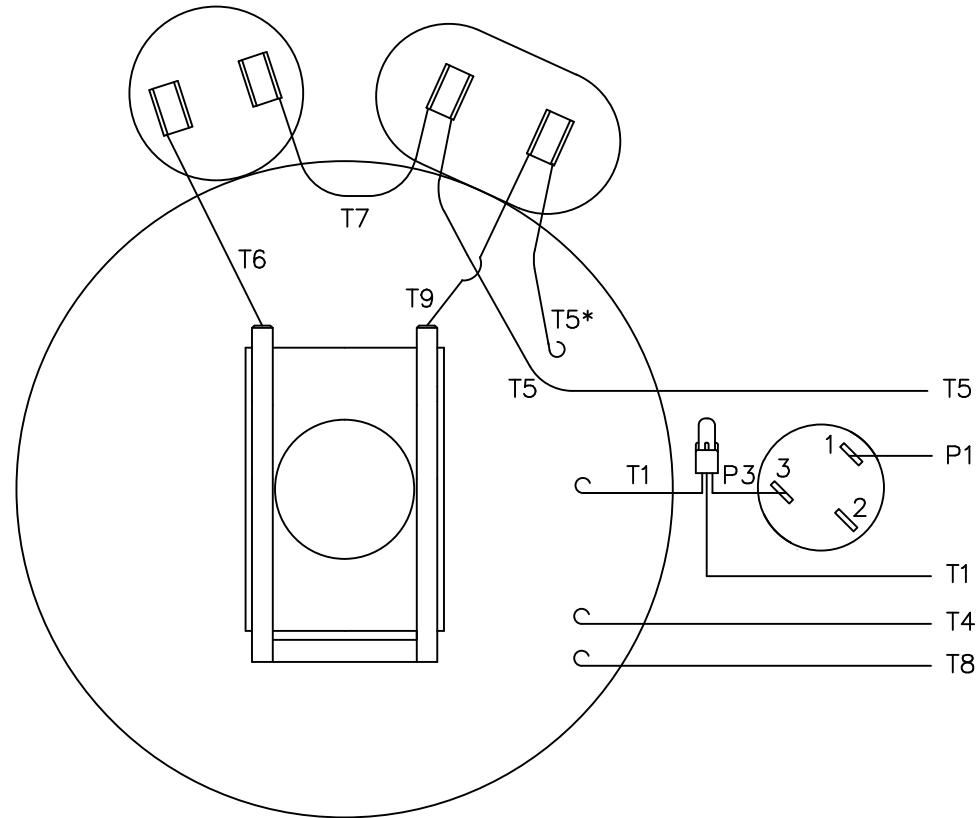
TITLE	OUTLINE - G56HC FRAME
T.E.F.C. - RIGID "C"	
MAT'L	
DRAWN	GRB 09/16/08
CHK	DJ 09/16/08
APPR	
SCALE	1:2
REF	028861
FMF	115048.00
PAGE	1 OF 1

THIRD ANGLE PROJECTION




ELECTRIC MOTORS
 GEARMOTORS
 AND DRIVES

VIEW FROM OUTSIDE OF MOTOR AT SWITCH END.



ROTATION	L1	L2	JOIN
FACING			
LEAD END			
C.C.W.	P1	T4, T5	T1, T8
C.W.	P1	T4, T8	T1, T5

* THIS LEAD MAY BE WHITE

			TOLERANCES UNLESS SPECIFIED		 ELECTRIC MOTORS GEARMOTORS AND DRIVES	DRAWN WLW 08/30/76 CHK WRK 09/24/76 APPD
			DEC.	INCHES		SCALE 1=1
			.X	±.1		REF
08	ALTERNATE T5 LEAD MARKING WAS RED	RLW 8/6/02	.XX	±.01	TITLE	EXTERNAL WIRING DIAGRAM TYPE "K" W/ PROTECTOR
07	ADDED ALTERNATE T5 LEAD MARKING	RLW 5/31/02	KH	±.005	MAT'L.	DECAL - 004015
06	REDRAWN TO CAD	DBT 5/31/02		±.0005	FINISH	
NO.	REVISION	BY & DATE	CHK	ANG	±1/2°	PREV
THIS DRAWING IN DESIGN AND DETAIL IS OUR PROPERTY AND MUST NOT BE USED EXCEPT IN CONNECTION WITH OUR WORK ALL RIGHTS OF DESIGN AND INVENTION ARE RESERVED THIS IS AN ELECTRONICALLY GENERATED DOCUMENT - DO NOT SCALE THIS PRINT			RFP	CAD FILE 00505603		SIZE A
			DIST	BRF-NLV	DRAWING NO. 005056-03	
					REV. 08	



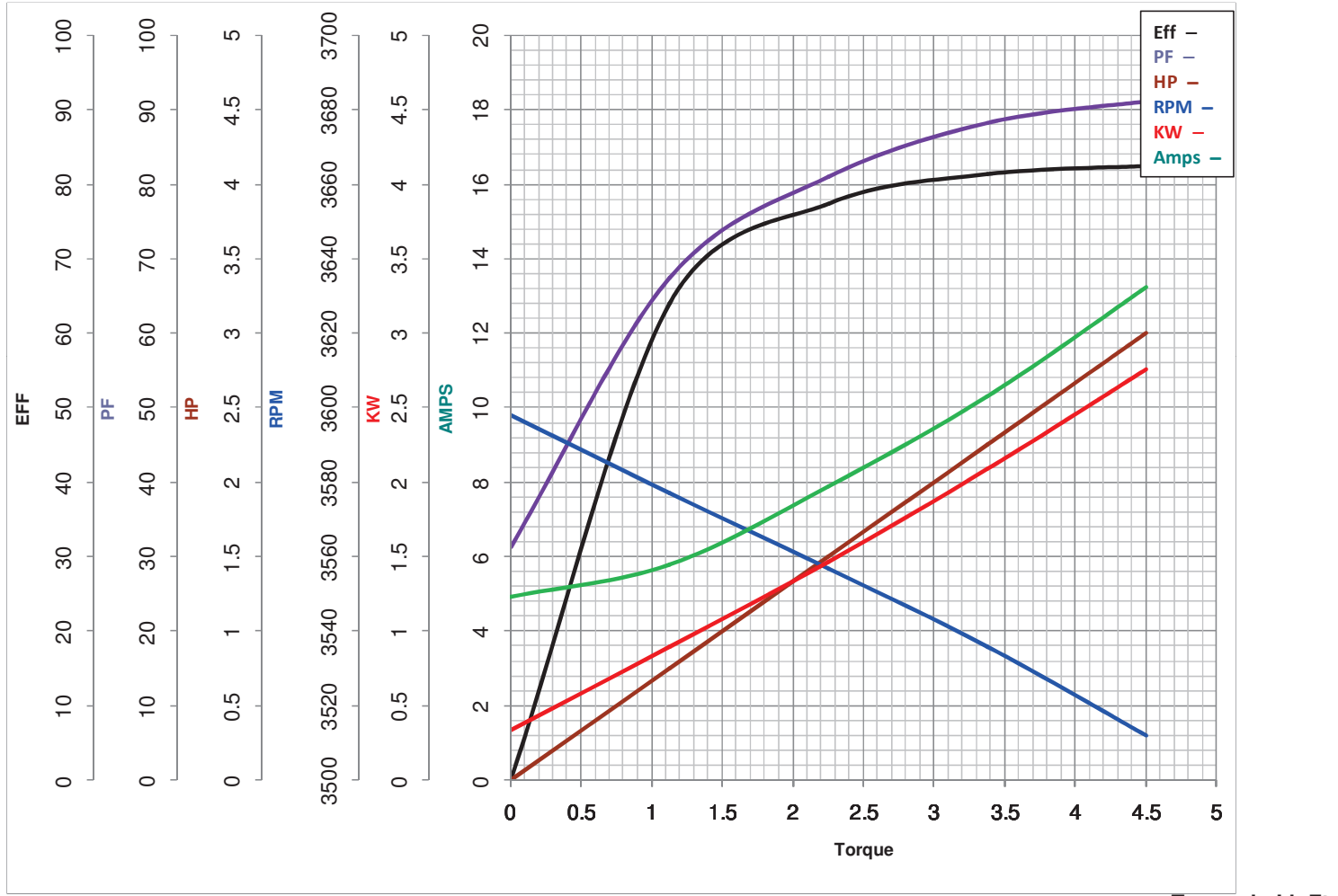
LEESON ELECTRIC CORPORATION
 TYPICAL PERFORMANCE CURVE for AC MOTOR

Model No 115048.00

Catalog No 115048.00

Curve at 230 Volts HP 3.00 PHASE 1
60 HZ
3 HP VOLTS 208-230

HZ 60 RPM 3450



Torque in Lb.Ft

FL TORQUE	<u>4.5</u>	Lb.Ft	FL AMPS	<u>14-13</u>	
BD TORQUE	<u>13.5</u>	Lb.Ft	PU TORQUE	<u>12.0</u>	Lb.Ft
LR TORQUE	<u>12.5</u>	Lb.Ft	LR AMPS	<u>100</u>	
WINDING	K632129-2		Date	<u>4/23/2018</u>	

Uncontrolled Copy