

PRODUCT INFORMATION PACKET



Model No: M6C17FK79E

Catalog No: 116487.00

3/4HP..1725RPM.56.TEFC./V.1PH.60HZ.CONT.MANUAL.40C.1.15SF.RIGID C.Farm Duty.M6C17FK79E
Totally Enclosed Fan Cooled (TEFC)



Regal and Leeson are trademarks of Regal Beloit Corporation or one of its affiliated companies.

©2018 Regal Beloit Corporation, All Rights Reserved. MC017097E



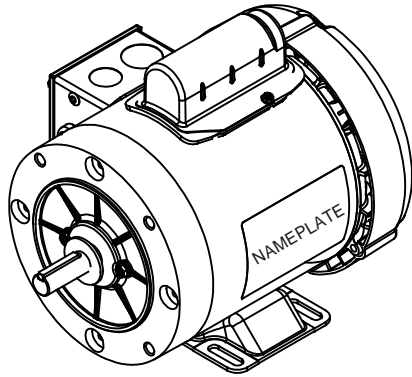
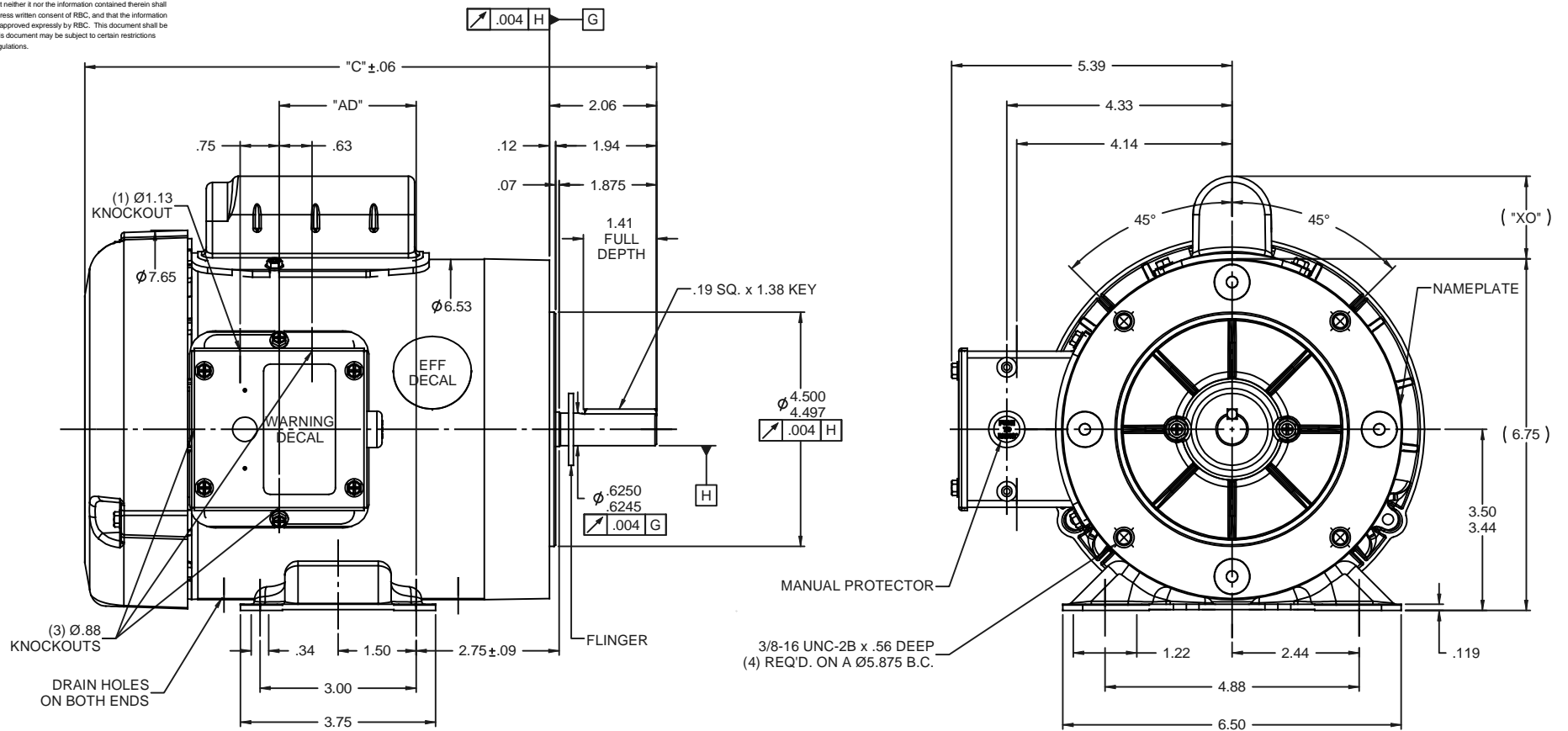


Nameplate Specifications

Output HP	0.75 Hp	Output KW	0.56 kW
Frequency	60 Hz	Voltage	115/208-230 V
Current	10.8/5.4 A	Speed	1725 rpm
Service Factor	1.15	Phase	1
Efficiency	70 %	Duty	Continuous
Insulation Class	B	Design Code	N
KVA Code	L	Frame	56C
Enclosure	Totally Enclosed Fan Cooled	Overload Protector	Manual
Ambient Temperature	40 °C	Drive End Bearing Size	6203
Opp Drive End Bearing Size	6203	UL	Recognized
CSA	Y	CE	N
IP Code	43		

Technical Specifications

Electrical Type	Capacitor Start Induction Run	Starting Method	Across The Line
Poles	4	Rotation	Selective Counterclockwise
Mounting	Rigid base	Motor Orientation	HORIZONTAL
Drive End Bearing	BALL	Opp Drive End Bearing	BALL
Frame Material	Rolled Steel	Shaft Type	NEMA 56
Overall Length	11.49 in	Frame Length	6.00 in
Shaft Diameter	0.625 in	Shaft Extension	1.88 in
Assembly/Box Mounting	F1 ONLY		
Outline Drawing	028914-600B	Connection Diagram	005003.03



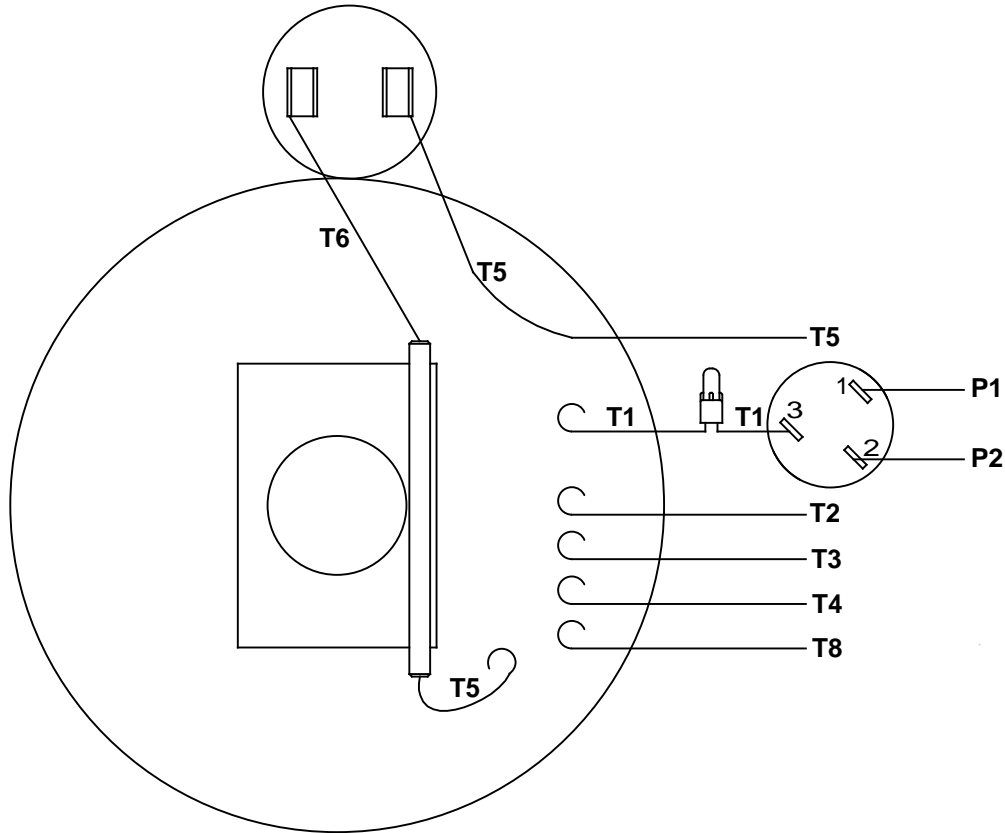
DASH NO.	"C"	"AD"	CAP. DASH		"XO"
550	10.99	2.63			
600	11.49	3.13			
650	11.99	3.63	A	1.61	
700	12.49	4.13	B	2.08	
750	12.99	4.63	C	2.32	
800	13.49	5.13			

- SPECIAL FEATURES:
 1) GASKETS THROUGHOUT
 2) MANUAL PROTECTOR
 3) FLINGER ON SHAFT

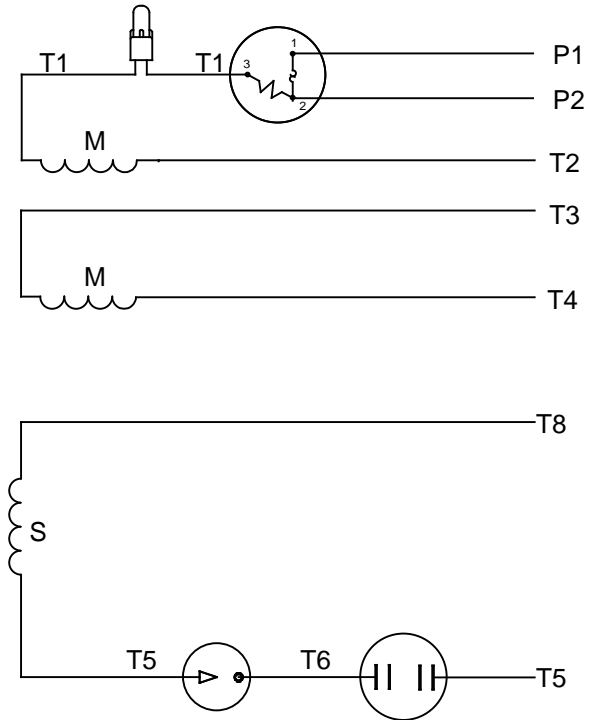
REVISION			BY & DATE		TOLERANCES UNLESS SPECIFIED		 ELECTRIC MOTORS GEARMOTORS AND DRIVES	DRAWN GRB 12/05/08	
NO			CHK	ANG ±1/2°	FINISH			SCALE 1:2	CHK DJ 12/05/08
			RFP	12/05/08	PREV			APPR DJ 12/05/08	REF 028578
								FMF 116486.00	PAGE 1 OF 1
NETWORK FILE NAME						SIZE	DRAWING NO	REV	
						B	028914		



VIEW FROM OUTSIDE OF MOTOR AT SWITCH END



LINE LEADS



RBC PROPRIETARY AND CONFIDENTIAL INFORMATION
 This document is the property of REGAL BELOIT CORPORATION ("RBC") including its subsidiaries and divisions and contains proprietary information of RBC. This document is loaned on the express condition that neither it nor the information contained therein shall be disclosed to others without the express written consent of RBC, and that the information shall be used by the recipient only as approved expressly by RBC. This document shall be returned to RBC upon its request. This document may be subject to certain restrictions under U.S. export control laws and regulations.

	ROTATION FACING LEAD END	L1	L2	JOIN	INSULATE SEPARATELY
HIGH VOLT	C.C.W.	P1	T4 T5	T2,T3 T8	P2
	C.W.	P1	T4 T8	T2,T3 T5	P2
LOW VOLT	C.C.W.	P1	T2,T4 T5	P2,T3 T8	---
	C.W.	P1	T2,T4 T8	P2,T3 T5	---

		TOLERANCES UNLESS SPECIFIED		LEESON	ELECTRIC MOTORS GEARMOTORS AND DRIVES	DRAWN WLV 08/20/79		
		DEC	INCHES			CHK	ADN 08/27/76	
		.X	±.1			APPR	WRK 08/27/76	
		.XX	±.01	TITLE EXTERNAL WIRING DIAGRAM TYPE "C" W/PROTECTOR		SCALE 1:1		
06	REDRAWN IN SOLIDWORKS	VJB	7/22/2011	.XXX	±.005	REF		
05	REDRAWN ON CAD	DBT	05/27/97	.XXXX	±.0005	FMF		
NO	REVISION	BY & DATE	CHK	ANG	±1/2°	FINISH	PAGE OF	
THIRD ANGLE PROJECTION		RFP		PREV		SIZE	DRAWING NO	REV
		NETWORK FILE NAME		00500303		A	005003-03	06



LEESON ELECTRIC CORPORATION
 TYPICAL PERFORMANCE CURVE for AC MOTOR

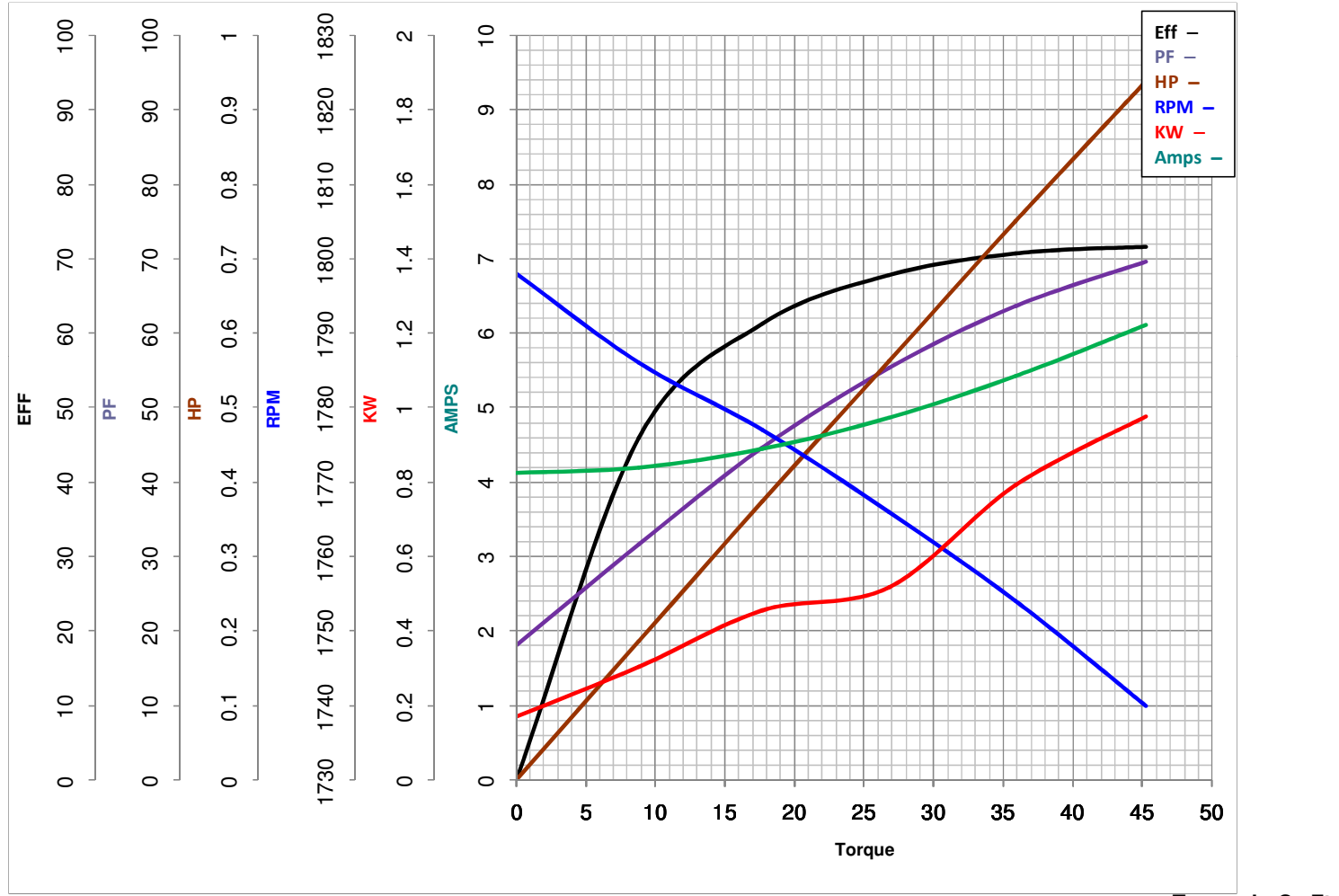
Curve at 230 Volts HP 0.76 PHASE 1
60 HZ
0.75 HP VOLTS 115/208-230

Model No 116487.00

Catalog No 116487.00

HZ 60

RPM 1725



FL TORQUE	<u>35.94</u> Oz.Ft	FL AMPS	<u>10.8/5.4</u>
BD TORQUE	<u>98.5</u> Oz.Ft	PU TORQUE	<u>84.2</u> Oz.Ft
LR TORQUE	<u>114.5</u> Oz.Ft	LR AMPS	<u>30.1</u>
WINDING	C634258-3	Date	3/14/2018