

# PRODUCT INFORMATION PACKET



Model No: M6K17FB60A

Catalog No: 117691.00

3/4HP..1725RPM.56.TEFC.115/208-230V.1PH.60HZ.CONT.40C.1.15SF.RIGID.M6K17FB60.....FARM  
DUTY.MANUAL.....

Agricultural



Regal and Leeson are trademarks of Regal Beloit Corporation or one of its affiliated companies.

©2018 Regal Beloit Corporation, All Rights Reserved. MC017097E





### Nameplate Specifications

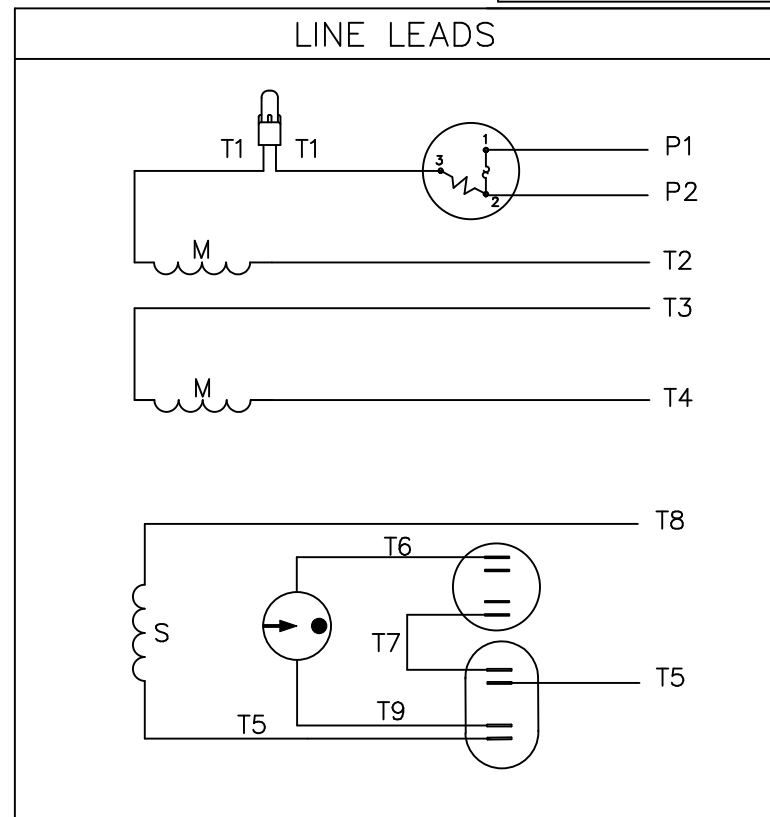
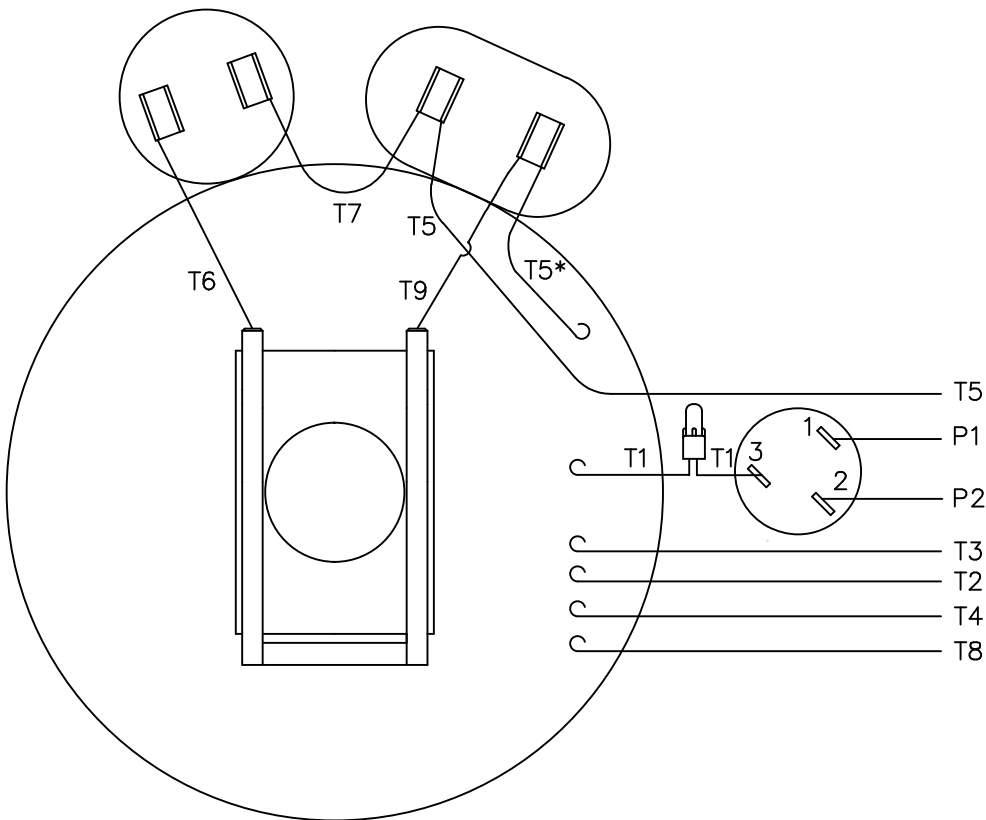
Output HP	<b>0.75 Hp</b>	Output KW	<b>0.56 kW</b>
Frequency	<b>60 Hz</b>	Voltage	<b>115/208-230 V</b>
Current	<b>6.4/3.2 A</b>	Speed	<b>1725 rpm</b>
Service Factor	<b>1.15</b>	Phase	<b>1</b>
Efficiency	<b>82 %</b>	Duty	<b>Continuous</b>
Insulation Class	<b>B</b>	Design Code	<b>L</b>
KVA Code	<b>J</b>	Frame	<b>56</b>
Enclosure	<b>Totally Enclosed Fan Cooled</b>	Overload Protector	<b>Manual</b>
Ambient Temperature	<b>40 °C</b>	Drive End Bearing Size	<b>6203</b>
Opp Drive End Bearing Size	<b>6203</b>	UL	<b>Recognized</b>
CSA	<b>Y</b>	CE	<b>N</b>
IP Code	<b>43</b>		

### Technical Specifications

Electrical Type	<b>Capacitor Start Capacitor Run</b>	Starting Method	<b>Across The Line</b>
Poles	<b>4</b>	Rotation	<b>Selective Counterclockwise</b>
Mounting	<b>Rigid base</b>	Motor Orientation	<b>HORIZONTAL</b>
Drive End Bearing	<b>BALL</b>	Opp Drive End Bearing	<b>BALL</b>
Frame Material	<b>Rolled Steel</b>	Shaft Type	<b>NEMA 56</b>
Overall Length	<b>11.99 in</b>	Frame Length	<b>6.50 in</b>
Shaft Diameter	<b>0.625 in</b>	Shaft Extension	<b>1.88 in</b>
Assembly/Box Mounting	<b>F1 ONLY</b>		
Outline Drawing	<b>607-0033-650B</b>	Connection Diagram	<b>005053.02</b>



VIEW FROM OUTSIDE OF MOTOR AT SWITCH END.



	ROTATION FACING LEAD END	L1	L2	JOIN	INSULATE SEPARATELY
HIGH VOLT	C.C.W.	P1	T4 T5	T2,T3 T8	P2
	C.W.	P1	T4 T8	T2,T3 T5	P2
LOW VOLT	C.C.W.	P1	T2,T4 T5	P2,T3 T8	-----
	C.W.	P1	T2,T4 T8	P2,T3 T5	-----

\* THIS LEAD MAY BE WHITE

		TOLERANCES UNLESS SPECIFIED	
		DEC.	INCHES
		.X	±.1
		.XX	±.01
04	ADDED "*" TO T5	RLW 7/22/02	.XXX ±.005
03	REDRAWN ON CAD	DBT 05/27/97	.XXXX ±.0005
NO.	REVISION	BY & DATE	CHK ANG ±1/2"

**REGAL-BELOIT** *Motor Technologies Group*

TITLE: EXTERNAL WIRING DIAGRAM  
TYPE "K" W/PROTECTOR

DRAWN	ADH 06/16/76
CHK	WRK 06/30/76
APPD	
SCALE	1=1
REF	
FMF	6K17FB8A
PREV	

RFP	CAD FILE	00505302	SIZE	DRAWING NO.	REV.
DIST			A	005053-02	04

