

# PRODUCT INFORMATION PACKET



Model No: M6K17FB59A

Catalog No: 117693.00

..1 1/2HP..1425RPM.56H.TEFC.115/208-230V.1PH.60HZ.CONT.40C.1.15SF.RIGID.M6K17FB59.....FARM  
DUTY.MANUAL.....

Agricultural



Regal and Leeson are trademarks of Regal Beloit Corporation or one of its affiliated companies.

©2018 Regal Beloit Corporation, All Rights Reserved. MC017097E





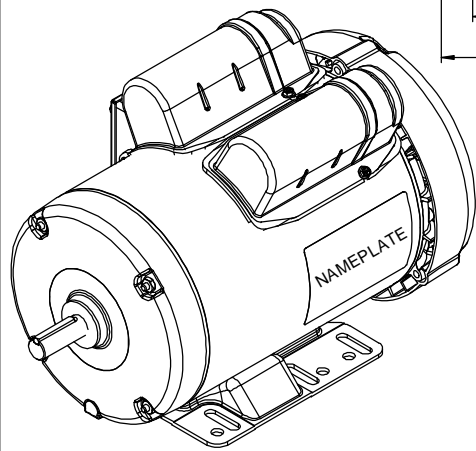
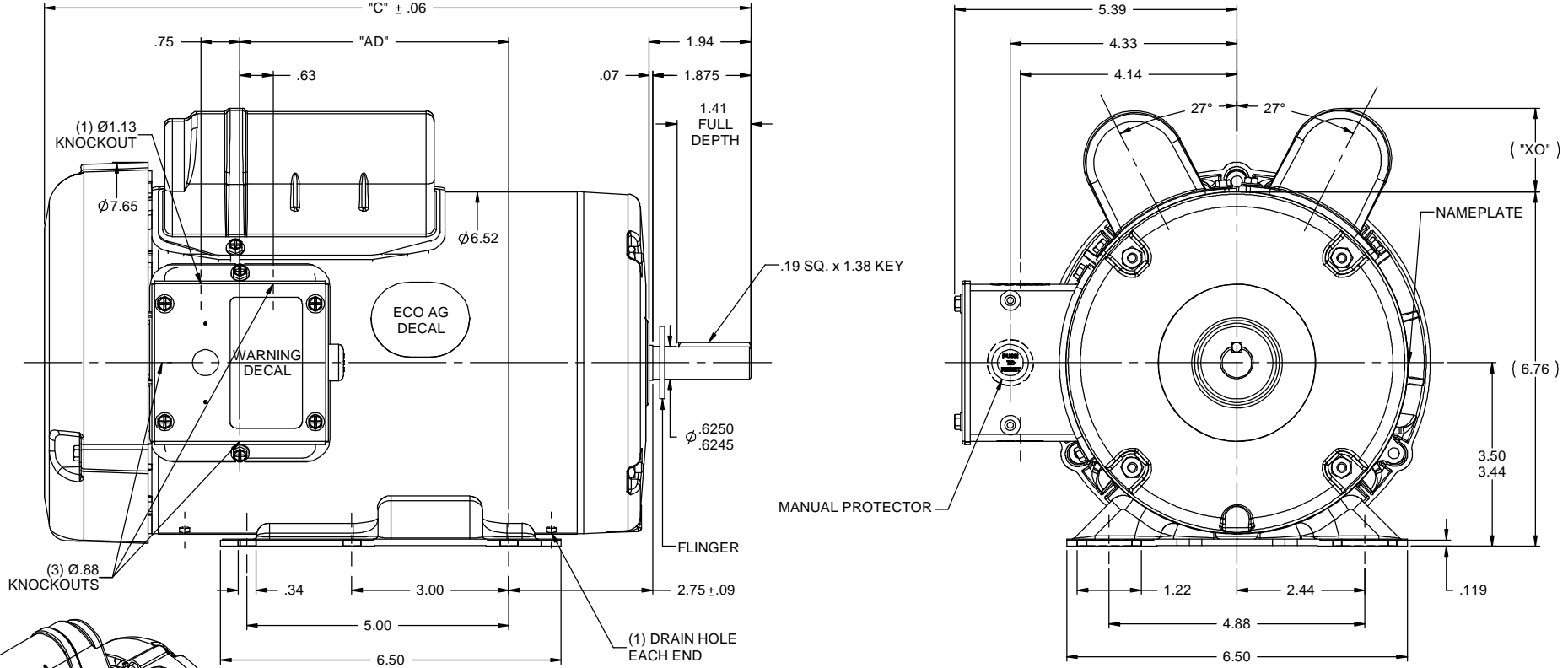
### Nameplate Specifications

Output HP	1.50 Hp	Output KW	1.1 kW
Frequency	60 Hz	Voltage	115/208-230 V
Current	13.0/6.6-6.5 A	Speed	1725 rpm
Service Factor	1.15	Phase	1
Efficiency	84 %	Duty	Continuous
Insulation Class	B	Design Code	L
KVA Code	J	Frame	56H
Enclosure	Totally Enclosed Fan Cooled	Overload Protector	Manual
Ambient Temperature	40 °C	Drive End Bearing Size	6203
Opp Drive End Bearing Size	6203	UL	Recognized
CSA	Y	CE	N
IP Code	43		

### Technical Specifications

Electrical Type	Capacitor Start Capacitor Run	Starting Method	Across The Line
Poles	4	Rotation	Selective Counterclockwise
Mounting	Rigid base	Motor Orientation	HORIZONTAL
Drive End Bearing	BALL	Opp Drive End Bearing	BALL
Frame Material	Rolled Steel	Shaft Type	NEMA 56
Overall Length	13.49 in	Frame Length	8.00 in
Shaft Diameter	0.625 in	Shaft Extension	1.87 in
Assembly/Box Mounting	F1 ONLY		
Outline Drawing	607-0038-800B	Connection Diagram	005053.02

RBC PROPRIETARY AND CONFIDENTIAL INFORMATION  
 This document is the property of REGAL BELOIT CORPORATION ("RBC") including its subsidiaries and divisions and contains proprietary information of RBC. This document is loaned on the express condition that neither it nor the information contained therein shall be disclosed to others without the express written consent of RBC, and that the information shall be used by the recipient only as approved expressly by RBC. This document shall be returned to RBC upon its request. This document may be subject to certain restrictions under U.S. export control laws and regulations.

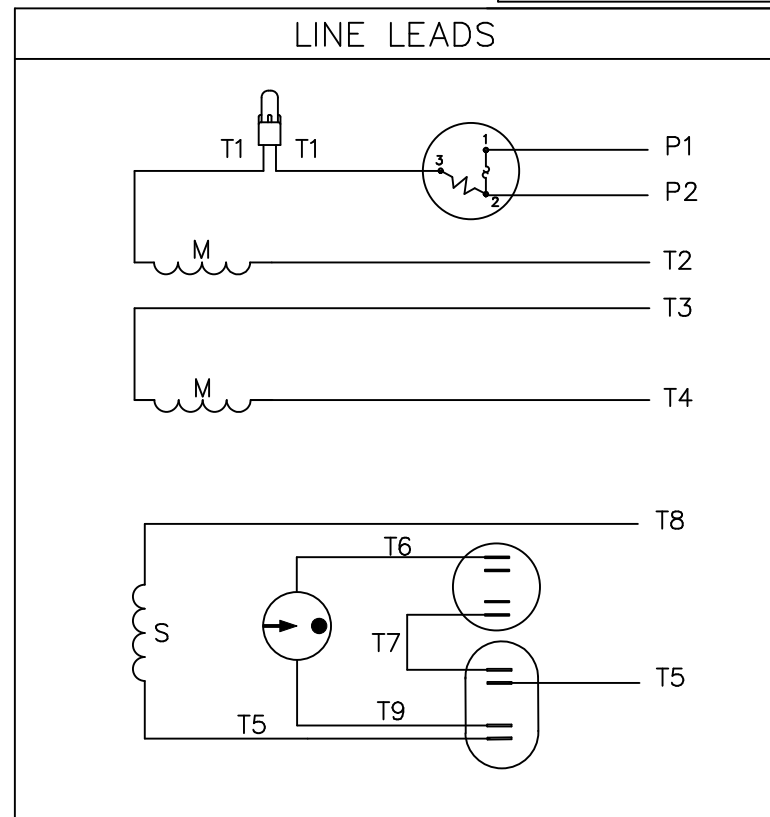
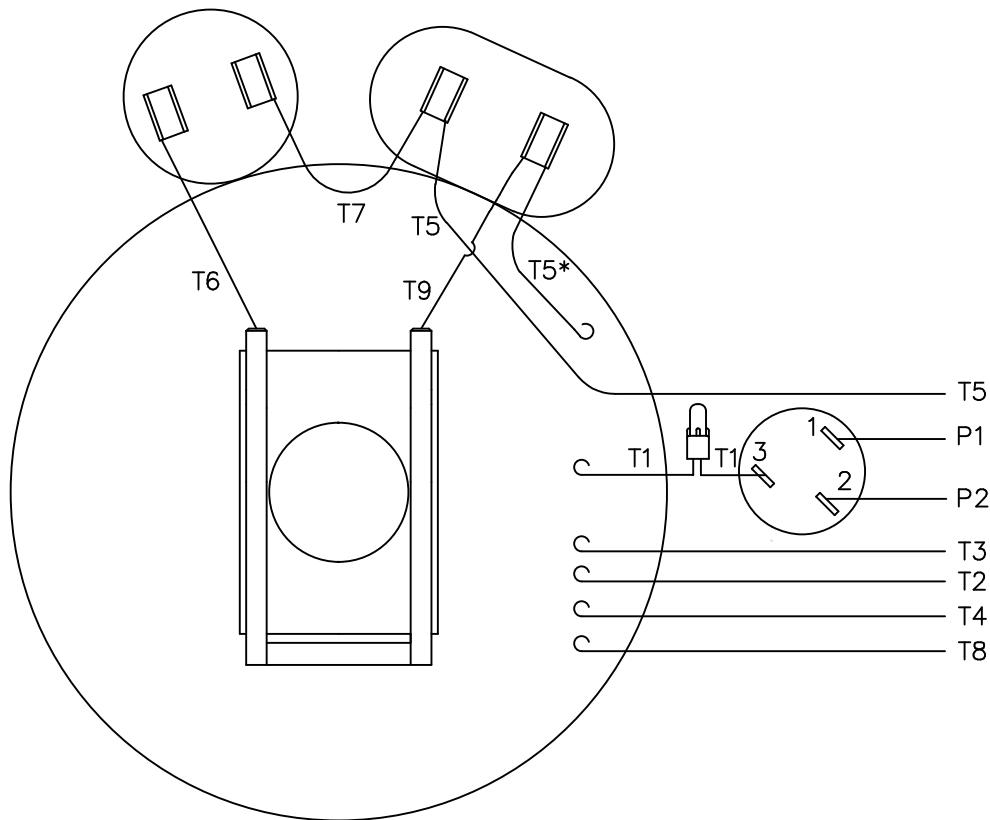


DASH NO.	"C"	"AD"	CAP DASH	"XO"
700	12.49	4.13	A	1.15
750	12.99	4.63	A	1.15
800	13.49	5.13	B	1.60
850	13.99	5.63	C	1.82

- SPECIAL FEATURES:  
 1) GASKETS THROUGHOUT.  
 2) FLINGER ON SHAFT  
 3) MANUAL PROTECTOR

TOLERANCES UNLESS SPECIFIED				LEESON	ELECTRIC MOTORS GEARMOTORS AND DRIVES	DRAWN GWS 2/8/12
NO	REVISION	BY & DATE	FINISH			
			DEC INCHES			CHK
			X ±.1			APPR
			XX ±.03	TITLE OUTLINE - 56H FRAME		SCALE 1:2
			XXX ±.005	TEFC - RIGID		REF 028930
			XXXX ±.0005	MATL FARM DUTY		FMF 117693
			±1/2°	FINISH		PAGE 1 OF 1
			RFP	PREV	SIZE B	DRAWING NO 607-0038
			NETWORK FILE NAME 607-0038			REV

VIEW FROM OUTSIDE OF MOTOR AT SWITCH END.



	ROTATION FACING LEAD END	L1	L2	JOIN	INSULATE SEPARATELY
HIGH VOLT	C.C.W.	P1	T4 T5	T2,T3 T8	P2
	C.W.	P1	T4 T8	T2,T3 T5	P2
LOW VOLT	C.C.W.	P1	T2,T4 T5	P2,T3 T8	-----
	C.W.	P1	T2,T4 T8	P2,T3 T5	-----

\* THIS LEAD MAY BE WHITE

		TOLERANCES UNLESS SPECIFIED	
		DEC.	INCHES
		.X	±.1
		.XX	±.01
04	ADDED "*" TO T5	RLW 7/22/02	.XXX ±.005
03	REDRAWN ON CAD	DBT 05/27/97	.XXXX ±.0005
NO.	REVISION	BY & DATE	CHK ANG ±1/2"

**REGAL-BELOIT Motor Technologies Group**

REGAL-BELOIT Motor Technologies Group

**EXTERNAL WIRING DIAGRAM TYPE "K" W/PROTECTOR**

DECAL 004011

FINISH	CAD FILE	00505302	SIZE	DRAWING NO.	REV.
RFP	DIST		A	005053-02	04

DRAWN ADH 06/16/76  
CHK WRK 06/30/76  
APPD  
SCALE 1=1  
REF  
FMF 6K17FB8A  
PREV

THIS DRAWING IN DESIGN AND DETAIL IS OUR PROPERTY AND MUST NOT BE USED EXCEPT IN CONNECTION WITH OUR WORK ALL RIGHTS OF DESIGN AND INVENTION ARE RESERVED THIS IS AN ELECTRONICALLY GENERATED DOCUMENT - DO NOT SCALE THIS PRINT



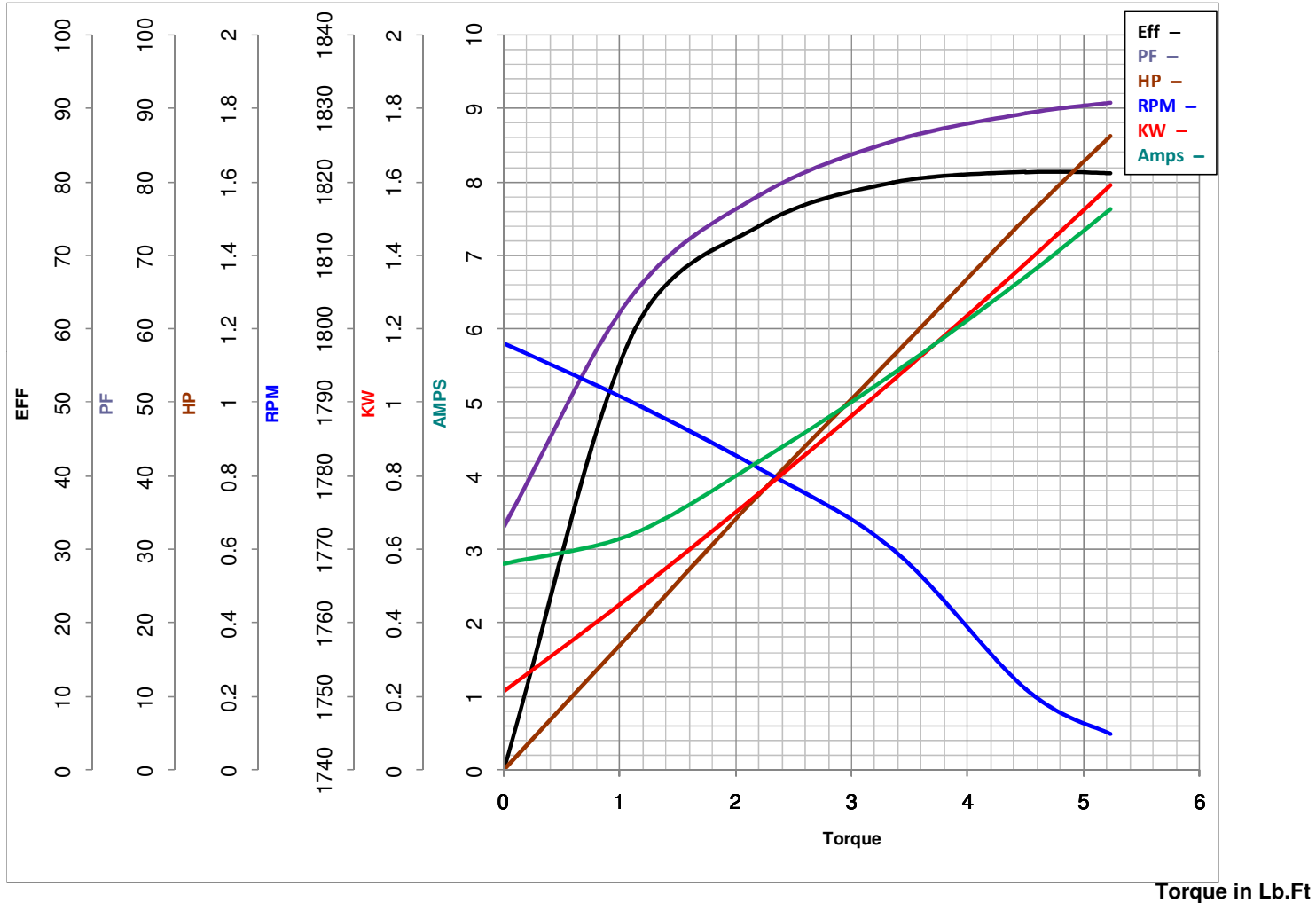
**LEESON ELECTRIC CORPORATION**  
 TYPICAL PERFORMANCE CURVE for AC MOTOR

Model No 117693.00

Curve at 230 Volts      HP 1.50      PHASE 1  
60 HZ  
1.5 HP      VOLTS 115/208-230

Catalog No 117693.00

HZ 60      RPM 1725



Torque in Lb.Ft

FL TORQUE 4.5 Lb.Ft  
 BD TORQUE 11.8 Lb.Ft  
 LR TORQUE 12.67 Lb.Ft

FL AMPS 13/6.6-6.5  
 PU TORQUE 10.3 Lb.Ft  
 LR AMPS 48

WINDING K634339-3

Date 4/23/2018