

PRODUCT INFORMATION PACKET



Model No: C6C34VK5A

Catalog No: 119229.00

119229.00..1HP..3450RPM.56CZ.TENV.115/208-230.1PH.60HZ.CONT.40C.1.15SF.RIGID C
FACE.C6C34WK26.....MILK TRANSFER PUMP.NONE.....

Milk Transfer



Regal and Leeson are trademarks of Regal Beloit Corporation or one of its affiliated companies.

©2018 Regal Beloit Corporation, All Rights Reserved. MC017097E



Product Information Packet: Model No: C6C34VK5A, Catalog No:119229.00
 119229.00..1HP..3450RPM.56CZ.TENV.115/208-230.1PH.60HZ.CONT.40C.1.15SF.RIGID C
 FACE.C6C34WK26.....MILK TRANSFER PUMP.NONE.....



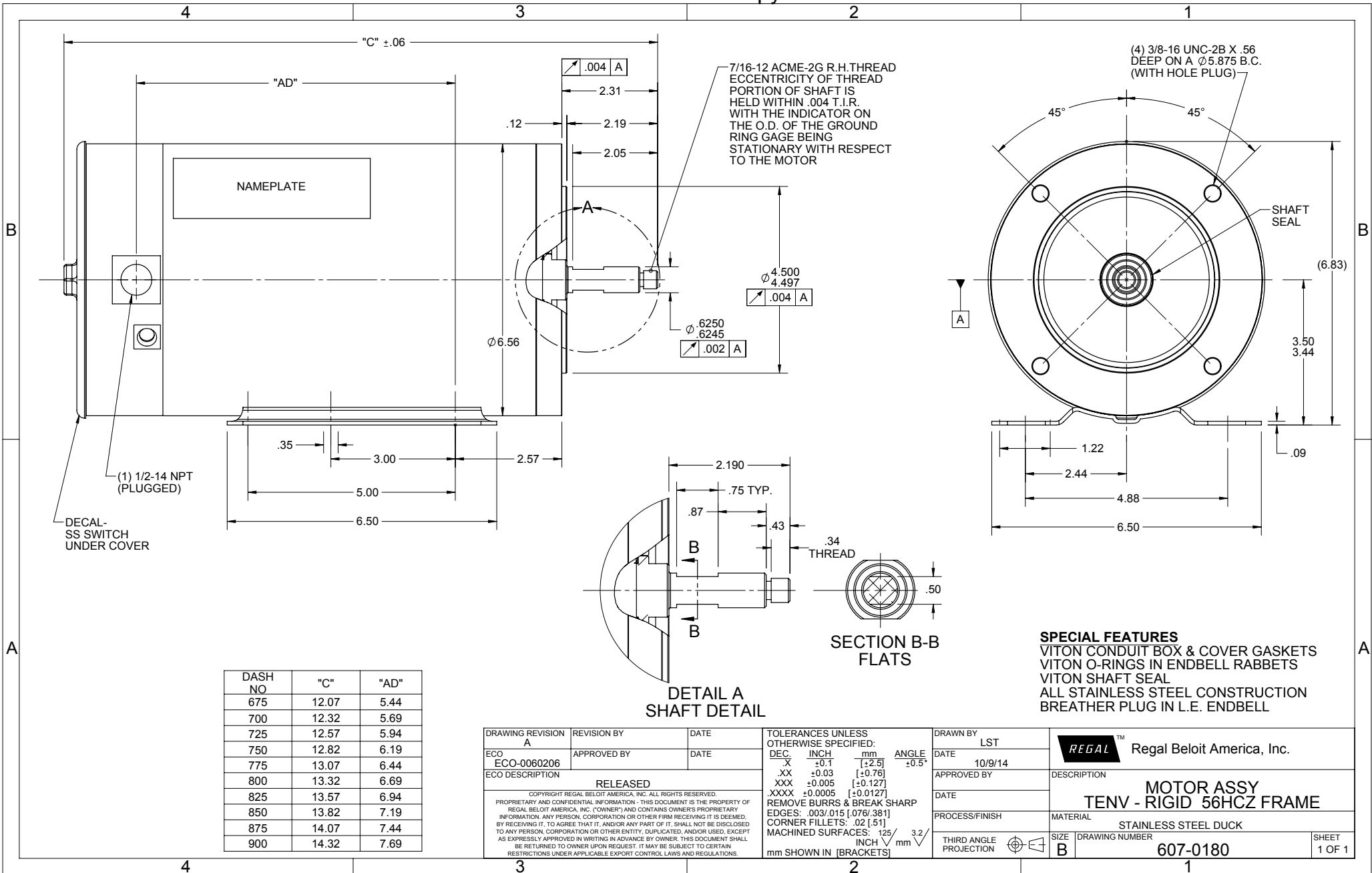
Nameplate Specifications

Output HP	1 Hp	Output KW	0.75 kW
Frequency	60 Hz	Voltage	115/208-230 V
Current	12.0/6.8-6.0 A	Speed	3450 rpm
Service Factor	1.15	Phase	1
Efficiency	66 %	Duty	Continuous
Insulation Class	F	Design Code	L
KVA Code	K	Frame	56CZ
Enclosure	Totally Enclosed Non Ventilated	Overload Protector	No
Ambient Temperature	40 °C	Drive End Bearing Size	6205
Opp Drive End Bearing Size	6203	UL	Recognized
CSA	Y	CE	N
IP Code	43		

Technical Specifications

Electrical Type	Capacitor Start Induction Run	Starting Method	Across The Line
Poles	2	Rotation	Selective Counterclockwise
Mounting	Rigid base	Motor Orientation	HORIZONTAL
Drive End Bearing	BALL	Opp Drive End Bearing	BALL
Frame Material	Stainless Steel	Shaft Type	Single Special Extension
Overall Length	14.32 in	Frame Length	9.00 in
Shaft Diameter	0.625 in	Shaft Extension	2.19 in
Assembly/Box Mounting	F1 ONLY		
Outline Drawing	607-0180-900	Connection Diagram	005278.01

This is an uncontrolled document once printed or downloaded and is subject to change without notice. Date Created: 10/15/2018



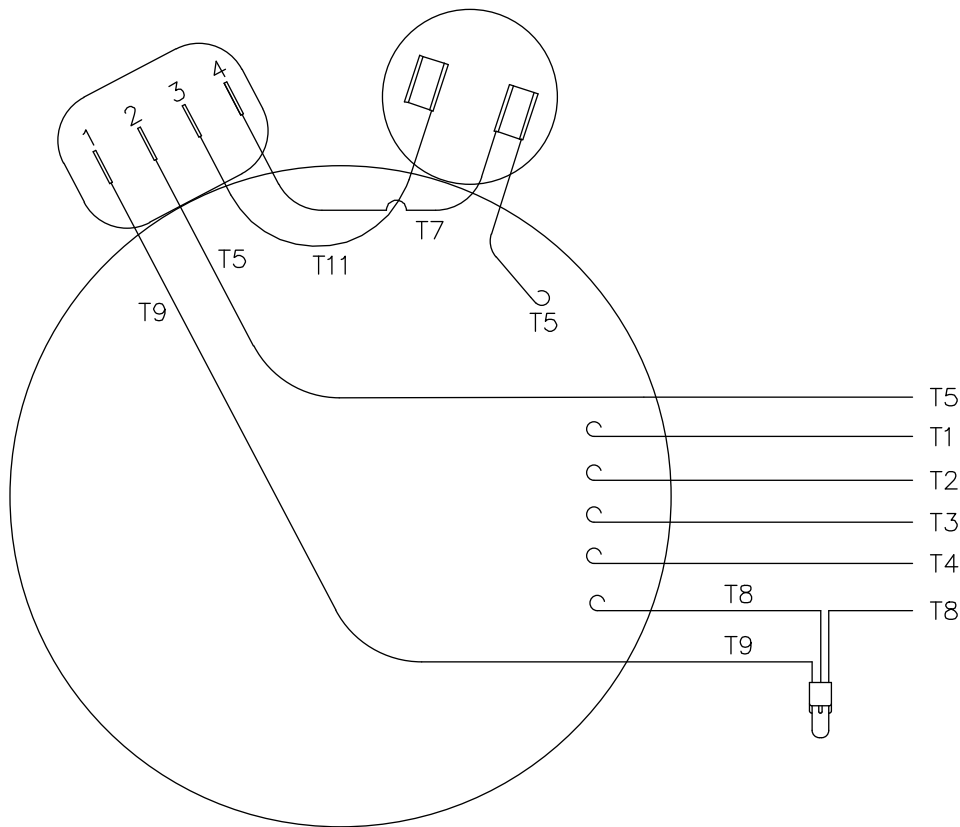
DASH NO	"C"	"AD"
675	12.07	5.44
700	12.32	5.69
725	12.57	5.94
750	12.82	6.19
775	13.07	6.44
800	13.32	6.69
825	13.57	6.94
850	13.82	7.19
875	14.07	7.44
900	14.32	7.69

DETAIL A
SHAFT DETAIL

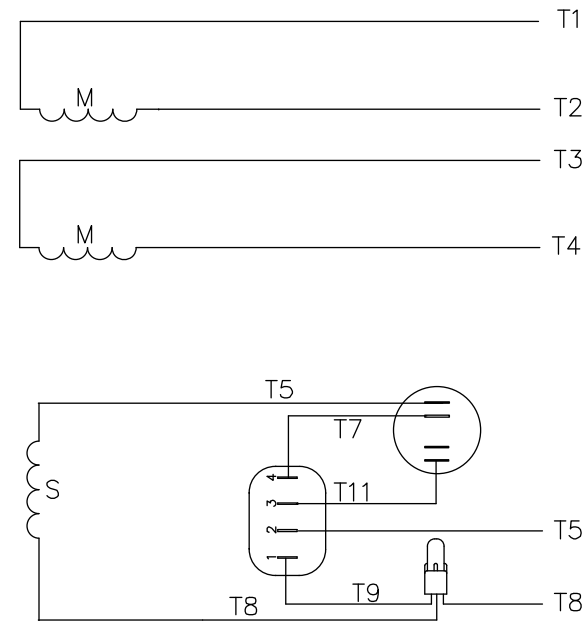
SPECIAL FEATURES
 VITON CONDUIT BOX & COVER GASKETS
 VITON O-RINGS IN ENDBELL RABBETS
 VITON SHAFT SEAL
 ALL STAINLESS STEEL CONSTRUCTION
 BREATHER PLUG IN L.E. ENDBELL

DRAWING REVISION A		REVISION BY	DATE	TOLERANCES UNLESS OTHERWISE SPECIFIED:		DRAWN BY LST	Regal Beloit America, Inc.
ECO ECO-0060206		APPROVED BY	DATE	DEC.	INCH	mm	
RELEASED				.X	±0.1	[±2.5]	APPROVED BY
COPYRIGHT REGAL BELOIT AMERICA, INC. ALL RIGHTS RESERVED. PROPRIETARY AND CONFIDENTIAL INFORMATION - THIS DOCUMENT IS THE PROPERTY OF REGAL BELOIT AMERICA, INC. (OWNER) AND CONTAINS OWNER'S PROPRIETARY INFORMATION. ANY PERSON, CORPORATION OR OTHER FIRM RECEIVING IT IS DEEMED, BY RECEIVING IT, TO AGREE THAT IT, AND/OR ANY PART OF IT, SHALL NOT BE DISCLOSED TO ANY PERSON, CORPORATION OR OTHER ENTITY, DUPLICATED, AND/OR USED, EXCEPT AS EXPRESSLY APPROVED IN WRITING IN ADVANCE BY OWNER. THIS DOCUMENT SHALL BE RETURNED TO OWNER UPON REQUEST. IT MAY BE SUBJECT TO CERTAIN RESTRICTIONS UNDER APPLICABLE EXPORT CONTROL LAWS AND REGULATIONS.				.XX	±0.03	[±0.76]	DATE
				.XXX	±0.005	[±0.127]	PROCESS/FINISH
				.XXXX	±0.0005	[±0.0127]	MATERIAL
				REMOVE BURRS & BREAK SHARP EDGES: .003/.015 [.076/.381] CORNER FILLETS: .02 [.51] MACHINED SURFACES: 125/3.2 mm SHOWN IN [BRACKETS]		THIRD ANGLE PROJECTION	

VIEW FROM OUTSIDE OF MOTOR AT SWITCH END



LINE LEADS



	ROTATION FACING LEAD END	L1	L2	JOIN & INSULATE
HIGH VOLT	C.C.W.	T1	T4 T5	T2, T3 T8
	C.W.	T1	T4 T8	T2, T3 T5
LOW VOLT	C.C.W.	T1, T3 T8	T2, T4 T5	
	C.W.	T1, T3 T5	T2, T4 T8	

NO.	REVISION	BY & DATE	CHK	ANG	TOLERANCES UNLESS SPECIFIED	
					DEC.	INCHES
					.X	±.1
					.XX	±.01
05	ADDED DECAL FOR STOCK MODELS ECR 0042509	GWS 9/10/13			.XXX	±.005
04	REDRAWN ON CAD	DBT 6/06/97			.XXXX	±.0005
					±1/2'	



ELECTRIC MOTORS
GEARMOTORS
AND DRIVES

DRAWN	PG 01/09/88
CHK	
APPD	DJW 01/16/88
SCALE	1=1
REF	005242
FMF	6C17WB1
PREV	

TITLE	EXTERNAL WIRING DIAGRAM TYPE "C" W/O PROTECTOR
MAT'L.	DECAL - 004012
FINISH STOCK MODELS TO USE DECAL	214-0122-001

THIS DRAWING IN DESIGN AND DETAIL IS OUR PROPERTY AND MUST NOT BE USED EXCEPT IN CONNECTION WITH OUR WORK ALL RIGHTS OF DESIGN AND INVENTION ARE RESERVED THIS IS AN ELECTRONICALLY GENERATED DOCUMENT - DO NOT SCALE THIS PRINT

RFP	04/18/02
DIST	BRF

CAD FILE	00527801
----------	----------

SIZE	DRAWING NO.	REV.
A	005278-01	05



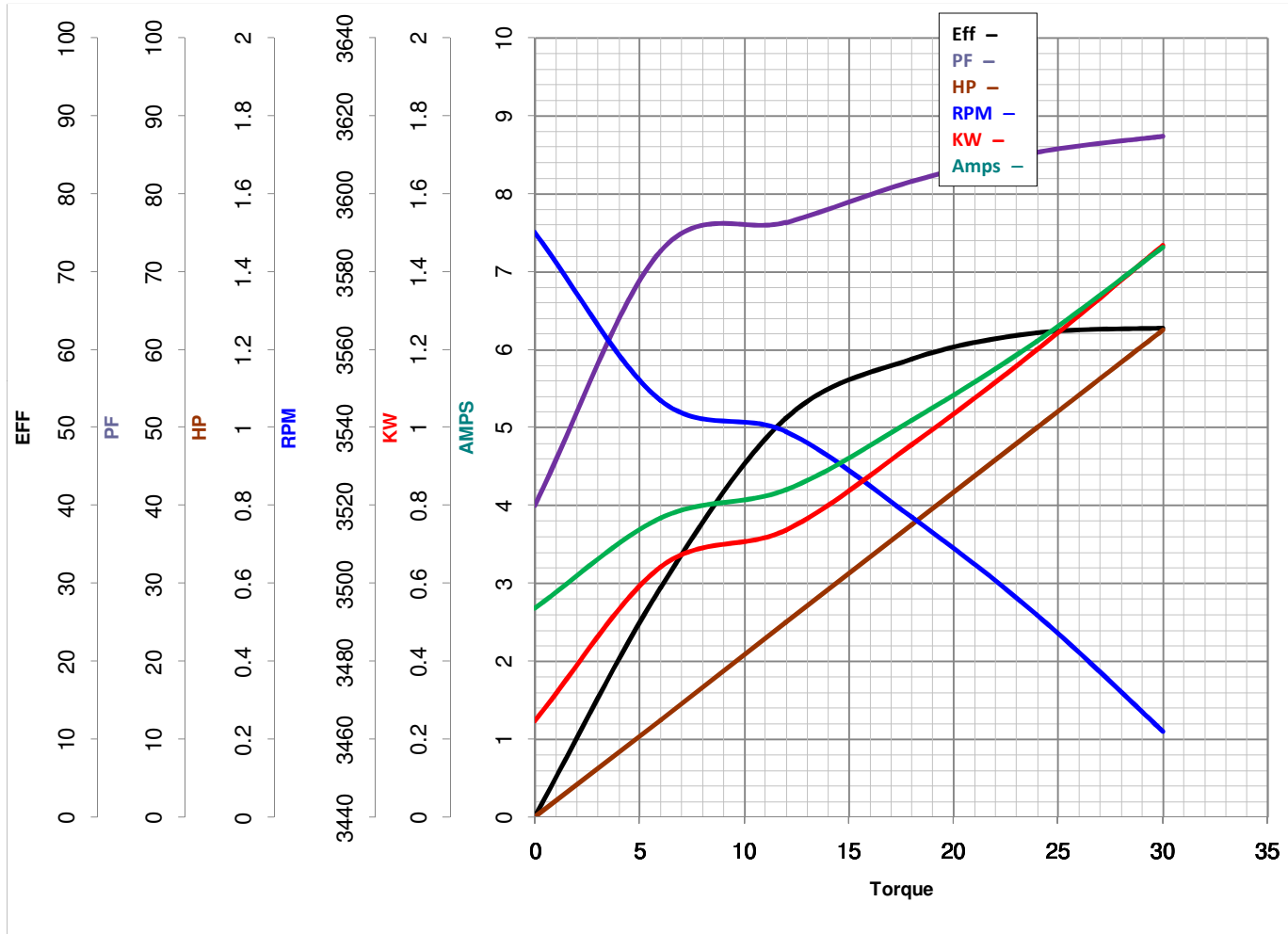
LEESON ELECTRIC CORPORATION
 TYPICAL PERFORMANCE CURVE for AC MOTOR

Model No 119229.00

Curve at 230 Volts HP 1.00 PHASE 1
60 HZ
1 HP VOLTS 115/208-230

Catalog No 119229.00

HZ 60 RPM 3450



Torque in Oz.Ft

FL TORQUE 24 Oz.Ft
 BD TORQUE 56.0 Oz.Ft
 LR TORQUE 80 Oz.Ft

FL AMPS 12/6.8-6
 PU TORQUE 48.0 Oz.Ft
 LR AMPS 38

WINDING C632217-3

Date 3/26/2018