

PRODUCT INFORMATION PACKET



Model No: M145K17FB29A

Catalog No: 121975.00

2HP..1725RPM.145T.TEFC.115/208-230V.1PH.60HZ.CONT.40C.1.15SF.RIGID.M145K17FB29.....FARM
DUTY.MANUAL.....

Agricultural



Regal and Leeson are trademarks of Regal Beloit Corporation or one of its affiliated companies.

©2018 Regal Beloit Corporation, All Rights Reserved. MC017097E





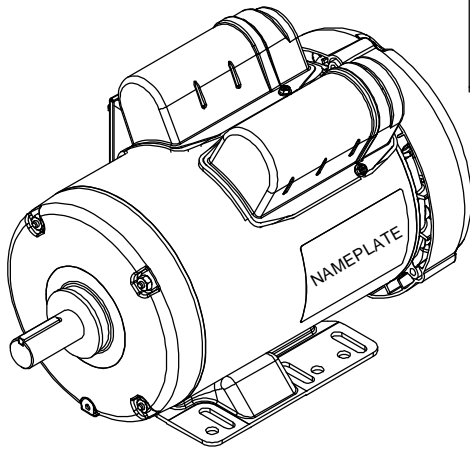
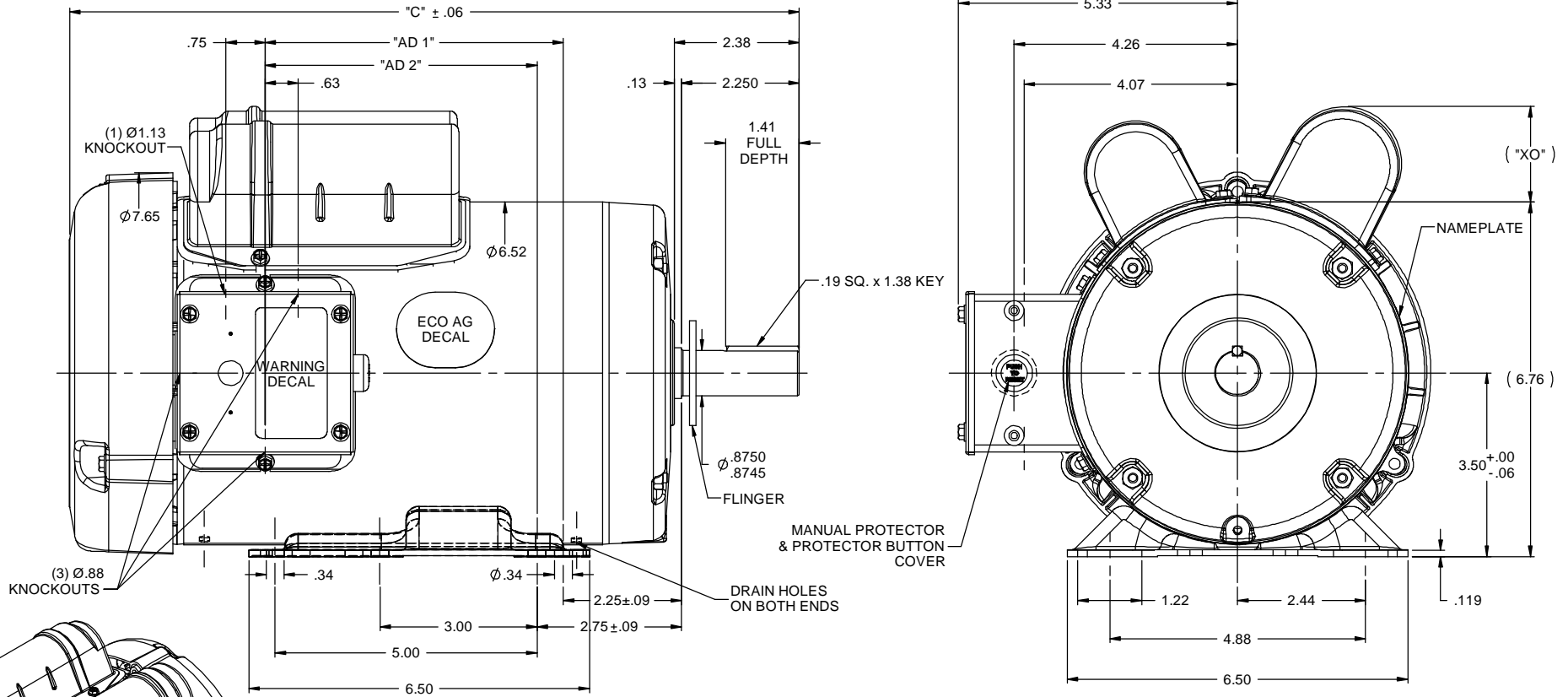
Nameplate Specifications

Output HP	2 Hp	Output KW	1.5 kW
Frequency	60 Hz	Voltage	230 V
Current	8.2 A	Speed	1725 rpm
Service Factor	1.15	Phase	1
Efficiency	85 %	Duty	Continuous
Insulation Class	F	Design Code	L
KVA Code	H	Frame	145T
Enclosure	Totally Enclosed Fan Cooled	Overload Protector	Manual
Ambient Temperature	40 °C	Drive End Bearing Size	6205
Opp Drive End Bearing Size	6203	UL	Recognized
CSA	Y	CE	N
IP Code	43		

Technical Specifications

Electrical Type	Capacitor Start Capacitor Run	Starting Method	Across The Line
Poles	4	Rotation	Selective Counterclockwise
Mounting	Rigid base	Motor Orientation	HORIZONTAL
Drive End Bearing	BALL	Opp Drive End Bearing	BALL
Frame Material	Rolled Steel	Shaft Type	T
Overall Length	14.43 in	Frame Length	8.50 in
Shaft Diameter	0.875 in	Shaft Extension	2.25 in
Assembly/Box Mounting	F1 ONLY		
Outline Drawing	607-0034-850	Connection Diagram	005056.03

RBC PROPRIETARY AND CONFIDENTIAL INFORMATION
 This document is the property of REGAL BELOIT CORPORATION ("RBC") including its subsidiaries and divisions and contains proprietary information of RBC. This document is loaned on the express condition that neither it nor the information contained therein shall be disclosed to others without the express written consent of RBC, and that the information shall be used by the recipient only as approved expressly by RBC. This document shall be returned to RBC upon its request. This document may be subject to certain restrictions under U.S. export control laws and regulations.

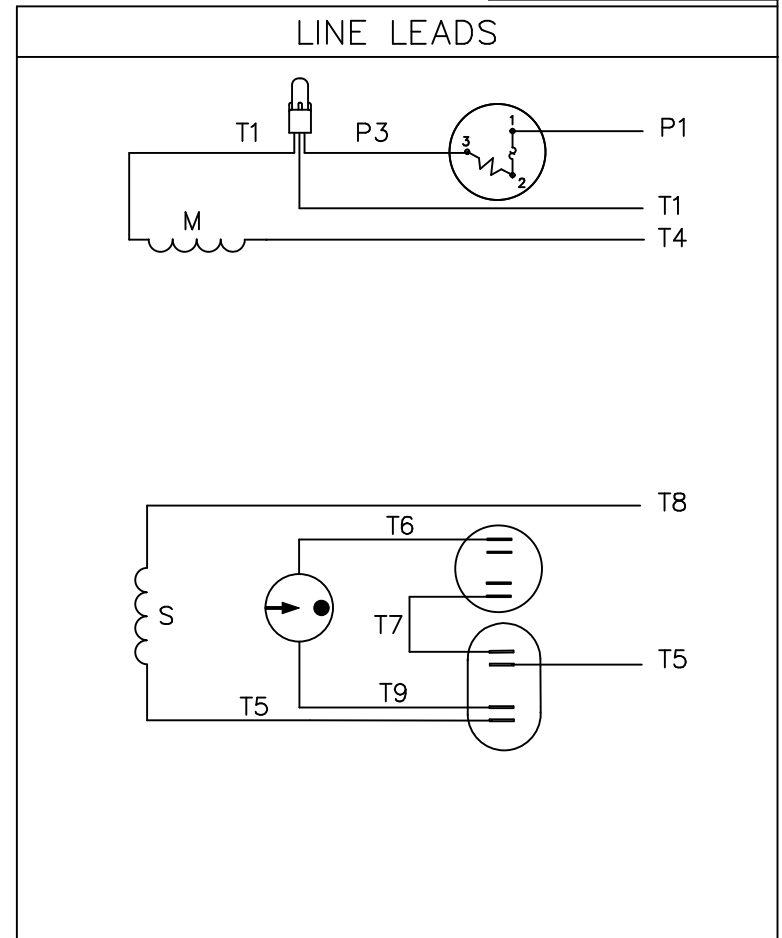
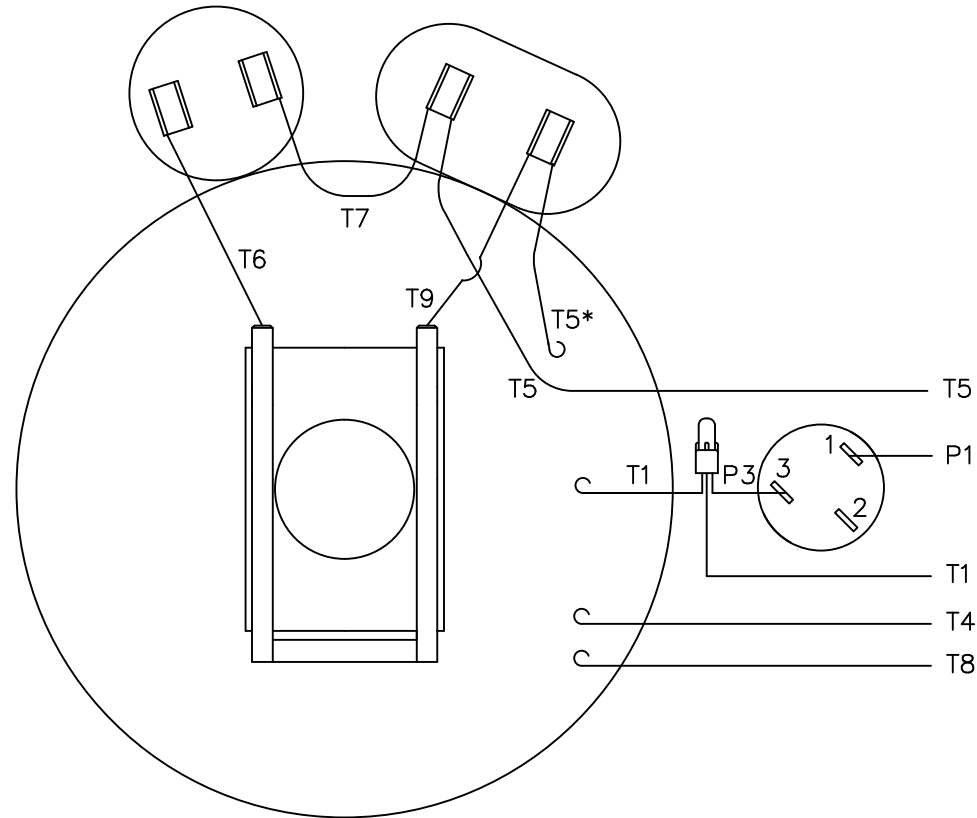


DASH NO.	"C"	"AD 1"	"AD 2"	CAP DASH	"XO"
700	12.93	4.69	4.19	A	1.15
750	13.43	5.19	4.69	B	1.60
800	13.93	5.69	5.19	C	1.82
850	14.43	6.19	5.69		

FARM DUTY MOTOR
 NOTES:
 1) FLINGER ON SHAFT
 2) GASKETS THROUGHOUT


TOLERANCES UNLESS SPECIFIED		ELECTRIC MOTORS GEARMOTORS AND DRIVES	DRAWN GWS 2/8/12
DEC	INCHES		CHK
X	±.1	TITLE OUTLINE - 56HZ/140T FRAME TEFC - RIGID	APPR
XX	±.03		SCALE 1:2
XXX	±.005		REF 028769
XXXX	±.0005		FMF 121973
NO	REVISION	BY & DATE	PAGE 1 OF 1
THIRD ANGLE PROJECTION		CHK LANG ±1/2"	FINISH
		RFP	PREV
		NETWORK FILE NAME 607-0034	SIZE B
			DRAWING NO 607-0034
			REV

VIEW FROM OUTSIDE OF MOTOR AT SWITCH END.



ROTATION FACING LEAD END	L1	L2	JOIN
C.C.W.	P1	T4, T5	T1, T8
C.W.	P1	T4, T8	T1, T5

* THIS LEAD MAY BE WHITE

			TOLERANCES UNLESS SPECIFIED		 ELECTRIC MOTORS GEARMOTORS AND DRIVES	DRAWN WLW 08/30/76			
			DEC.	INCHES		CHK WRK 09/24/76			
			.X	±.1		APPD			
08	ALTERNATE T5 LEAD MARKING WAS RED	RLW 8/6/02	.XX	±.01	TITLE	EXTERNAL WIRING DIAGRAM TYPE "K" W/ PROTECTOR	SCALE 1=1		
07	ADDED ALTERNATE T5 LEAD MARKING	RLW 5/31/02	KH	.XXX ±.005			REF		
06	REDRAWN TO CAD	DBT 5/31/02		.XXXX ±.0005	MAT'L.	DECAL - 004015	FMF 6K17FB4		
NO.	REVISION	BY & DATE	CHK	ANG ±1/2°	FINISH		PREV		
THIS DRAWING IN DESIGN AND DETAIL IS OUR PROPERTY AND MUST NOT BE USED EXCEPT IN CONNECTION WITH OUR WORK ALL RIGHTS OF DESIGN AND INVENTION ARE RESERVED THIS IS AN ELECTRONICALLY GENERATED DOCUMENT - DO NOT SCALE THIS PRINT			RFP		CAD FILE	00505603	SIZE A	DRAWING NO. 005056-03	REV. 08
			DIST	BRF-NLV					

