

PRODUCT INFORMATION PACKET



Model No: C143T17DK9AA

Catalog No: 122093.00

..1..1800.143JP.ODP.230/460.3.60/50HZ.CONT.40C..RIGID C-FACE.....
JP



Regal and Leeson are trademarks of Regal Beloit Corporation or one of its affiliated companies.

©2018 Regal Beloit Corporation, All Rights Reserved. MC017097E



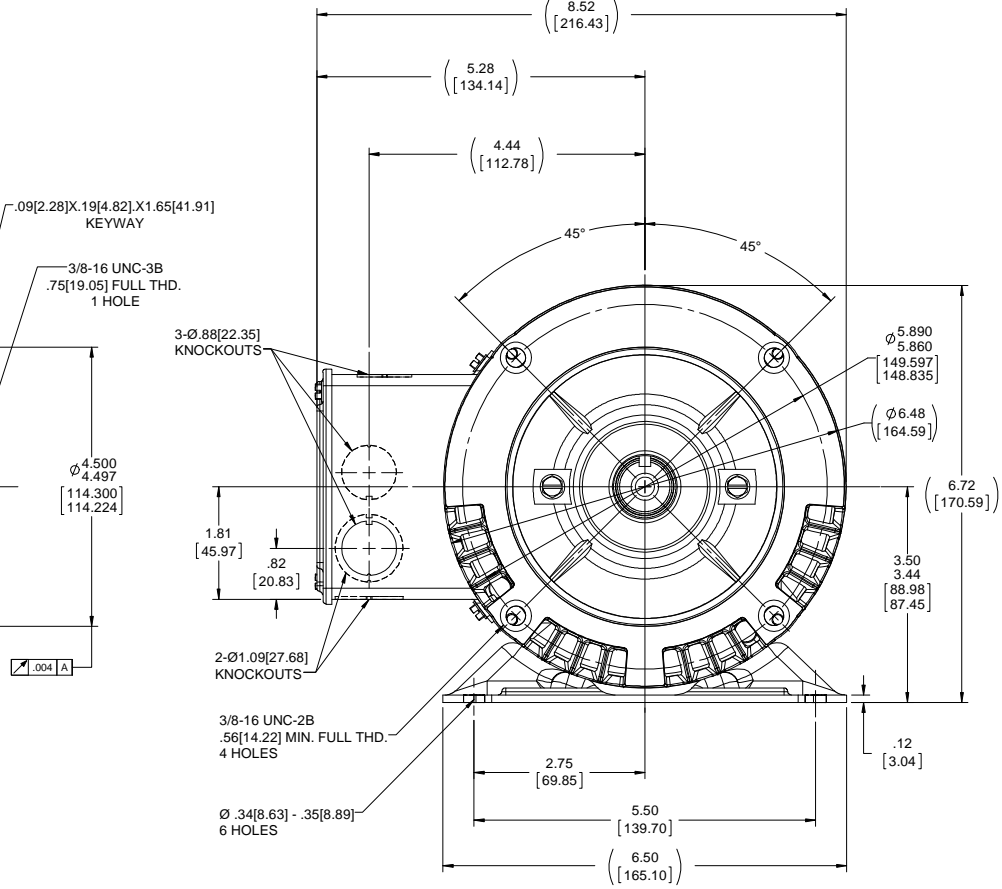
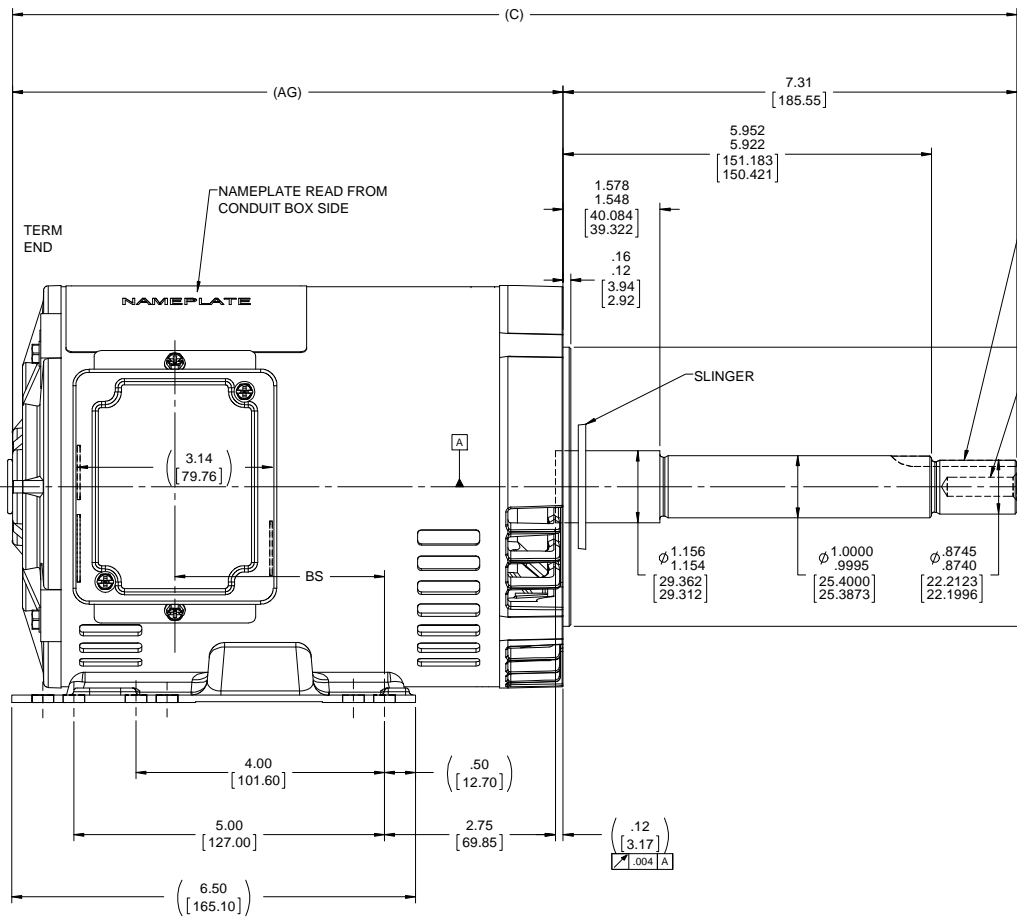


Nameplate Specifications

Output HP	1 Hp	Output KW	0.75 kW
Frequency	60 Hz	Voltage	230/460 V
Current	3.0/1.5 A	Speed	1760 rpm
Service Factor	1.15	Phase	3
Efficiency	85.5 %	Duty	Continuous
Insulation Class	F	Design Code	B
KVA Code	N	Frame	143JP
Enclosure	Drip Proof	Overload Protector	No
Ambient Temperature	40 °C	Drive End Bearing Size	6206
Opp Drive End Bearing Size	6203	UL	Recognized
CSA	Y	CE	Y
IP Code	22		

Technical Specifications

Electrical Type	Squirrel Cage Inverter Rated	Starting Method	Line Or Inverter
Poles	4	Rotation	Reversible
Mounting	Rigid base	Motor Orientation	HORIZONTAL
Drive End Bearing	BALL	Opp Drive End Bearing	BALL
Frame Material	Rolled Steel	Shaft Type	JP
Overall Length	18.18 in	Frame Length	9.06 in
Shaft Diameter	0.875 in	Shaft Extension	7.34 in
Assembly/Box Mounting	F1 ONLY		
Outline Drawing	A-100132-906	Connection Diagram	A-EE7308



DASH NO.	"C"	"AG"	"BS"
706	16.17[410.71]	8.87[225.29]	3.37[85.59]
756	16.67[423.41]	9.37[237.99]	3.87[98.29]
806	17.17[436.11]	9.87[250.69]	4.37[110.99]
856	17.67[448.81]	10.37[263.39]	4.87[123.69]
906	18.17[461.51]	10.87[276.09]	5.37[136.39]

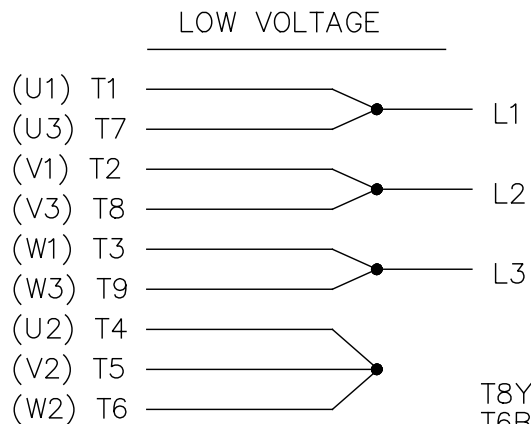
NOTES:
CONDUIT BOX CAN BE ROTATED IN 180° STEPS.

DRAWING REVISION	REVISION BY	DATE	TOLERANCES UNLESS OTHERWISE SPECIFIED	DRAWN BY	Regal Beloit America, Inc.
ECO-0143006	A. KEETHA PST	12/29/2017	FRACTIONAL DECIMALS X .01 XX .0005 XXX .00005	BRH 11/02/1995	REGAL BELOIT AMERICA, INC. 140 FR.-BB-DR-PR-.36-C-FACE-3P-EXT. OUTLINE REFERENCE MATERIAL PROCESS FINISH 100132
		04/11/2018	ANGLE 17.50°	CHK 11/02/1995	

OUTLINE CONVERSION PROJECT
 DIMENSIONS IN DRAWING ARE IN INCHES UNLESS OTHERWISE SPECIFIED.
 UNLESS SPECIFIED OTHERWISE, DIMENSIONS ARE TO CENTER UNLESS NOTED OTHERWISE.
 DIMENSIONS TO CENTER UNLESS NOTED OTHERWISE.
 DIMENSIONS TO FACE UNLESS NOTED OTHERWISE.
 DIMENSIONS TO CENTER UNLESS NOTED OTHERWISE.
 DIMENSIONS TO FACE UNLESS NOTED OTHERWISE.
 DIMENSIONS TO CENTER UNLESS NOTED OTHERWISE.
 DIMENSIONS TO FACE UNLESS NOTED OTHERWISE.

EE7308

THREE PHASE
DUAL VOLTAGE MOTOR



VIEW OF TERMINAL END

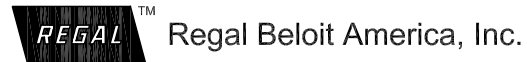
REF.
WINDING DIAGRAM

T8Y, T2Y, T2BL, T4BX, T2EC, T2G
T6BZ, T2B, T6BL, T4AV, T6B, T4B

OPTIONAL CORD
CONNECTION

L1 — WHITE
L2 — RED
L3 — BLACK

NO.	REVISION	BY & DATE	CHK	ANG	TOLERANCES UNLESS SPECIFIED		FINISH	DRAWN RM 11/20/1990				
					DEC.	INCHES						
5	CHG TO REGAL LOGO	SL 09/10/2015	AB					CHK ML 11/21/1990				
4	REVISED IEC NOTATIONS	MSG 11/15/2011	CMN	.X	±.1			APPD SAS 04/24/2003				
3	ADDED IEC NOTATIONS... (U1), (V1) ETC. MU95194	MSG 5/10/2010	MJS	.XX	±.02		TITLE CONNECTION DIAGRAM	SCALE 1=1				
2	ADDED THE OPTIONAL CORD CONNECTION MU46318	RDH 04/24/2003	DRS	.XXX	±.005		3Ø - DUAL VOLTAGE MOTOR	REF				
1	REDRAWN	RM 11/20/1990		.XXXX	±.0005		MAT'L.	FMF				
					±7'30"			PREV				
THIS DRAWING IN DESIGN AND DETAIL IS OUR PROPERTY AND MUST NOT BE USED EXCEPT IN CONNECTION WITH OUR WORK ALL RIGHTS OF DESIGN AND INVENTION ARE RESERVED THIS IS AN ELECTRONICALLY GENERATED DOCUMENT - DO NOT SCALE THIS PRINT							RFP	CAD FILE ee7308	SIZE A	DRAWING NO. EE7308	PAGE OF 5	REV. 5
							DIST WP					





1051 CHEYENNE AVE.
 GRAFTON, WI 53024
 PH. 262-377-8810

CERTIFICATION DATA SHEET

CATALOG #: 122093.00

CONN. DIAGRAM: A-EE7308

MOUNTING: F1 ONLY

OUTLINE: A-100132-906

WINDING #: ZT4259 3

TYPICAL MOTOR PERFORMANCE DATA

HP	KW	SYNC. RPM	F.L. RPM	FRAME	ENCLOSURE	KVA CODE	DESIGN
183/4	0.75&0.56	1800	1760&1460	143Jp	DP	N	B

PH	Hz	VOLTS	AMPS	START TYPE	DUTY	INSL	S.F.	AMB°C
3	60/50	230/460&190/380	3/1.5&3/1.5	LINE OR INVERTER	CONTINUOUS	F3	1.15/1.0	40

FULL LOAD EFF:	85.5&85.3	3/4 LOAD EFF:	84.6	1/2 LOAD EFF:	81.3	GTD. EFF	82.5	ELEC. TYPE
FULL LOAD PF:	71&69.3	3/4 LOAD PF:	62.6	1/2 LOAD PF:	49.8	SQ CAGE INV RATED		

F.L. TORQUE	LOCKED ROTOR AMPS	L.R. TORQUE	B.D. TORQUE	F.L. RISE°C
3 LB-FT	29 / 14.5	11.2 LB-FT 373 %	15.4 LB-FT 513 %	21

SOUND PRESSURE @ 3 FT.	SOUND POWER	ROTOR WK^2	MAX. WK^2	SAFE STALL TIME	STARTS / HOUR	APPROX. MOTOR WGT
56 DBA	66 DBA	0.117 LB-FT^2	10 LB-FT^2	20 SEC.	2	0 LBS.

*** SUPPLEMENTAL INFORMATION ***

DE BRACKET TYPE	ODE BRACKET TYPE	MOUNT TYPE	ORIENTATION	SEVERE DUTY	HAZARDOUS LOCATION	DRIP COVER	SCREENS	PAINT
C-FACE	STANDARD	RIGID	HORIZONTAL	FALSE	NONE	PROVISIONS ONLY	NONE	BLUE (POWDER)

BEARINGS	GREASE	SHAFT TYPE	SPECIAL DE	SPECIAL ODE	SHAFT MATERIAL	FRAME MATERIAL
DE ODE BALL						
BALL	POLYREX EM	Jp	NONE	NONE	1144 STRESSPROOF (C-223)	ROLLED STEEL

THERMO-PROTECTORS				THERMISTORS	CONTROL	SPACE HEATERS
THERMOSTATS	PROTECTORS	WDG RTDS	BRG RTDS	NONE	FALSE	NONE
NONE	NOT	NONE	NONE	NONE	NONE	NONE

INVERTER TORQUE: CONSTANT 2:1

INV. HP SPEED RANGE: NONE

ENCODER:	NONE
NONE	NONE
NONE	PPR

BRAKE:	NONE	NONE
NONE	P/N NONE	
NONE	NONE	
NONE	FT-LB	NONE V NONE HZ

S

Data Sheet

Date: 1/17/2018

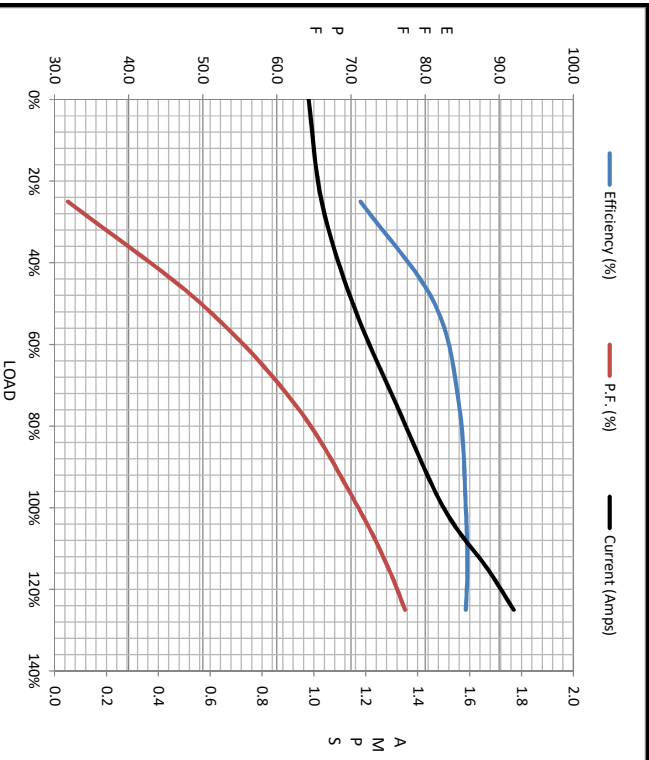
122093.00



Data @ 460 V

Motor Load Data						
Load	0%	25%	50%	75%	100%	LR
Current (Amps)	0.98	1.03	1.15	1.32	1.50	14.5
Torque (ft-lb)	0.00	0.73	1.47	2.22	3.0	11.2
RPM	1800	1790	1781	1772	1760	0
Efficiency (%)		71.3	81.3	84.6	85.5	
P.F. (%)	11.1	31.8	49.8	62.6	71.0	73.4

Motor Speed Data						Information Block																											
LR	Pull-Up	BD	Rated	Idle		HP	Sync. RPM	Frame	Enclosure	Construction	Voltage	Frequency	Design	LR Code letter	Service Factor	Temp Rise @ FL	Duty	Ambient	Elevation	Rotor/Shaft wk ²	Ref Wdg	Sound Pressure @ 1M	VFD Rating	Outline Dwg	Conn. Diag	Additional Specifications:	R1	R2	X1	X2	Xm		
0	120	1285	1760	1800		1.0	1800	143	DP	TDR	230/460#190/380	60	A	N	1.15	21	CONT	40 °C	1,000	0.12	NONE	56	CONSTANT 2:1	A-100132-906	A-EE7308		0.0000	0.0000	0.0000	0.0000	0.0000		
Current (Amps)	14.5	13.0	9.8	1.50	0.98																												
Torque (ft-lb)	11.2	10.0	15.4	3.0	0.00																												



EQUIV CKT (OHMS / PHASE)					
R1	R2	X1	X2	Xm	
0.0000	0.0000	0.0000	0.0000	0.0000	

