

PRODUCT INFORMATION PACKET



Model No: 131632.00
Catalog No: 131632.00
5 HP General Purpose Motor, 1 phase, 3600 RPM, 230 V, 184TC Frame, TEFC
Single Phase TEFC Motors



Regal and Leeson are trademarks of Regal Beloit Corporation or one of its affiliated companies.
©2020 Regal Beloit Corporation, All Rights Reserved. MC017097E





Nameplate Specifications

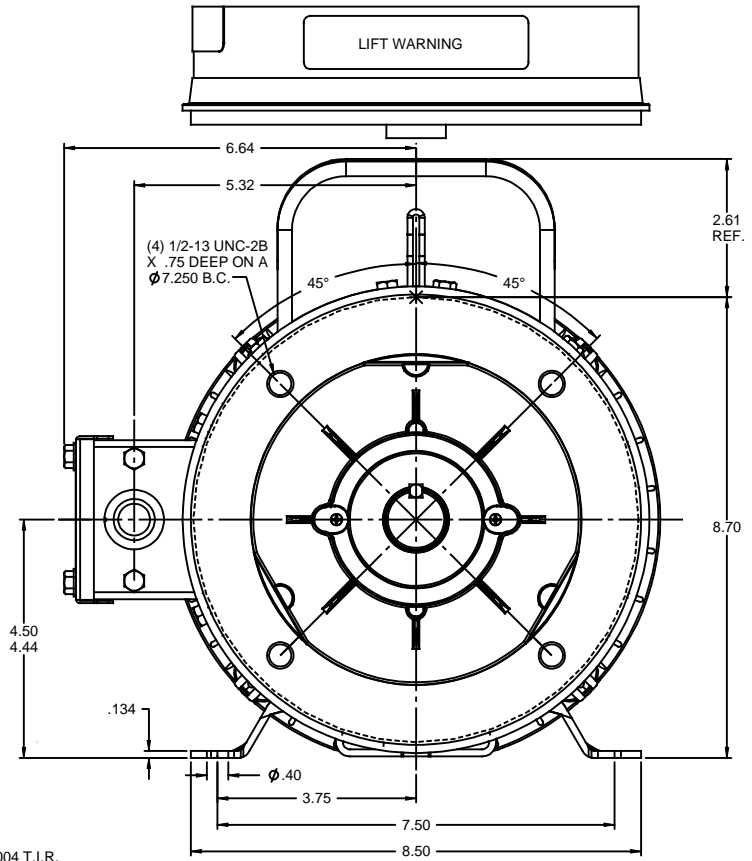
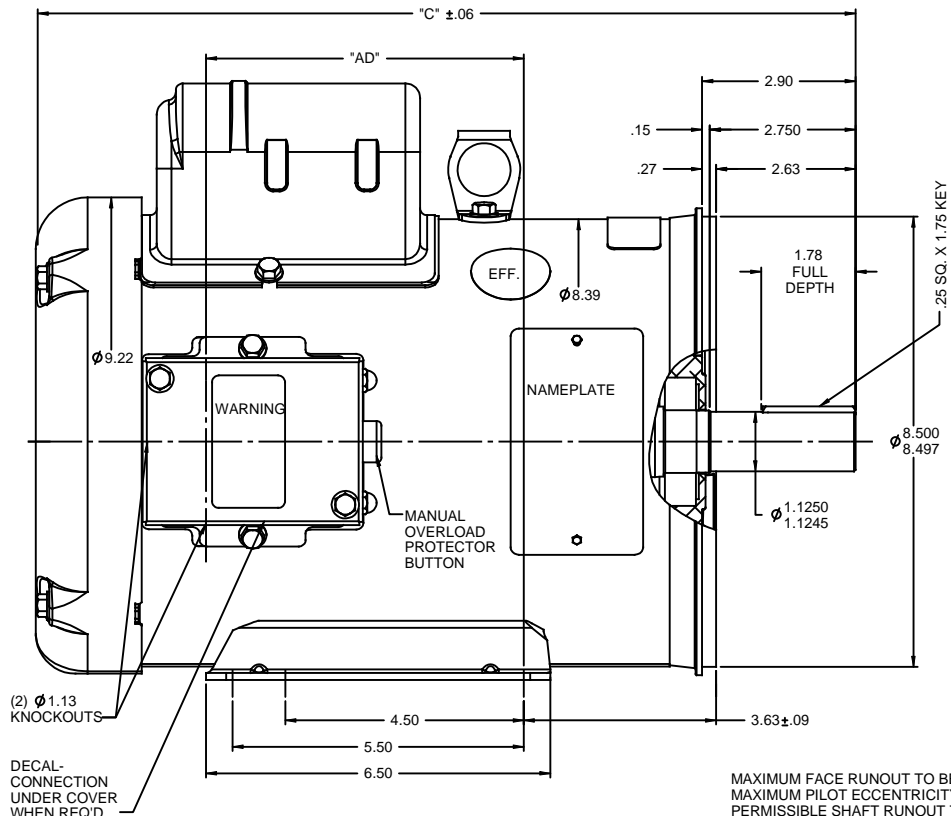
Output HP	5 Hp	Output KW	3.7 kW
Frequency	60 Hz	Voltage	230 V
Current	19.8 A	Speed	3500 rpm
Service Factor	1.15	Phase	1
Efficiency	82.5 %	Power Factor	98
Duty	Continuous	Insulation Class	F
Design Code	L	KVA Code	H
Frame	184TC	Enclosure	Totally Enclosed Fan Cooled
Thermal Protection	Manual	Ambient Temperature	40 °C
Drive End Bearing Size	6206	Opp Drive End Bearing Size	6205
UL	Recognized	CSA	Y
CE	N	IP Code	43

Technical Specifications

Electrical Type	Capacitor Start Capacitor Run	Starting Method	Across The Line
Poles	2	Rotation	Selective Counterclockwise
Resistance Main	.342 Ohms	Mounting	Rigid base
Motor Orientation	Horizontal	Drive End Bearing	Ball
Opp Drive End Bearing	Ball	Frame Material	Rolled Steel
Shaft Type	T	Overall Length	16.97 in
Frame Length	11.50 in	Shaft Diameter	1.125 in
Shaft Extension	2.75 in	Assembly/Box Mounting	F1 ONLY
Outline Drawing	035381-1150	Connection Drawing	005056.03

This is an uncontrolled document once printed or downloaded and is subject to change without notice. Date Created:27/05/2020

RBC PROPRIETARY AND CONFIDENTIAL INFORMATION
 This document is the property of REGAL BELOIT CORPORATION ("RBC") including its subsidiaries and divisions and contains proprietary information of RBC. This document is loaned on the express condition that neither it nor the information contained therein shall be disclosed to others without the express written consent of RBC, and that the information shall be used by the recipient only as approved expressly by RBC. This document shall be returned to RBC upon its request. This document may be subject to certain restrictions under U.S. export control laws and regulations.



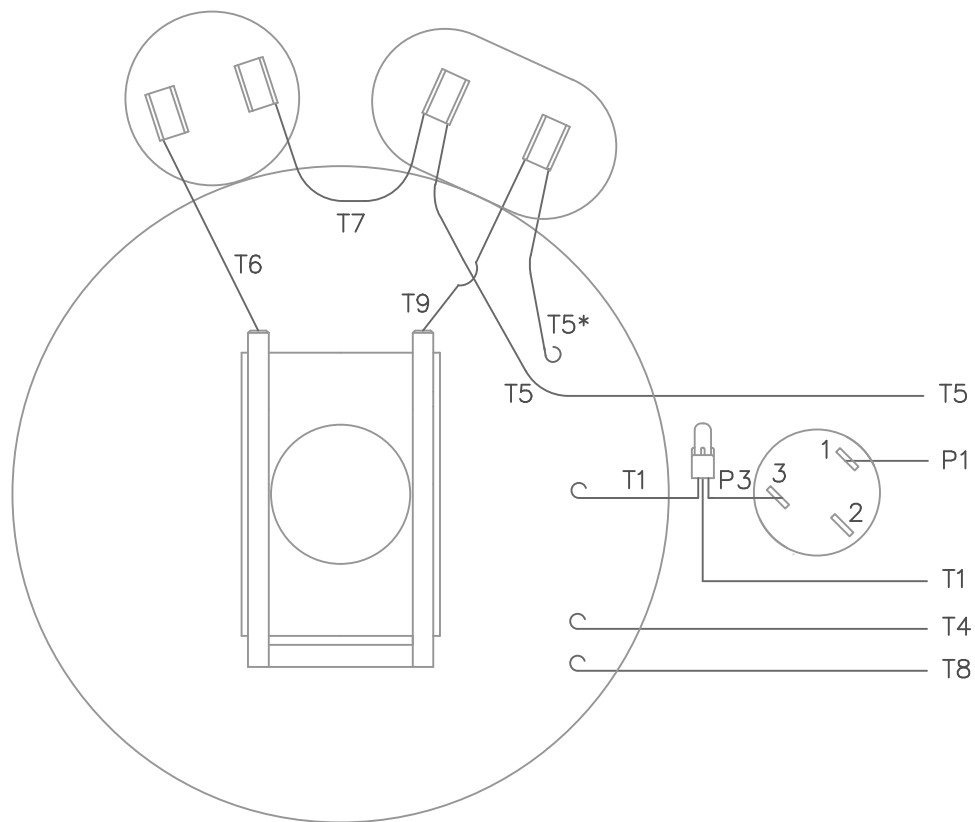
MAXIMUM FACE RUNOUT TO BE .004 T.I.R.
 MAXIMUM PILOT ECCENTRICITY TO BE .004 T.I.R.
 PERMISSIBLE SHAFT RUNOUT TO BE .002 T.I.R.
 GASKETS THROUGHOUT

DASH NO.	"C"	"AD"
850	13.97	4.50
900	14.47	5.00
950	14.97	5.50
1000	15.47	6.00
1050	15.97	6.50
1100	16.47	7.00
1150	16.97	7.50
1200	17.47	8.00

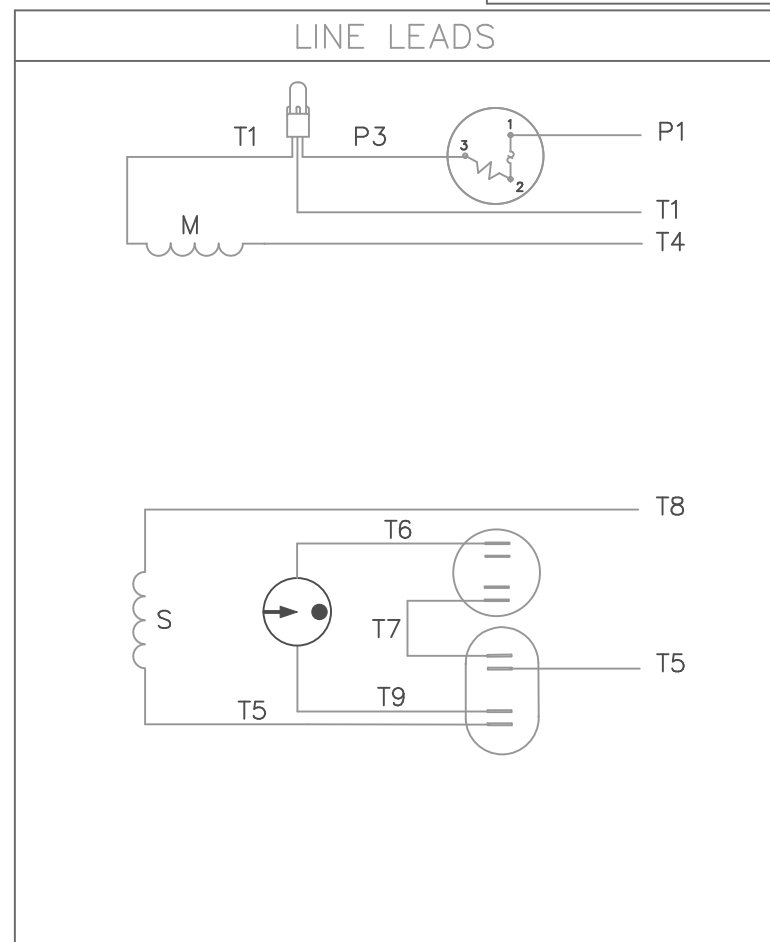
TOLERANCES UNLESS SPECIFIED:			DRAWN PG 10/30/97
DEC	INCHES		CHK RK 10/30/97
X	± .1	APPR	SCALE 1:2
XX	± .03	TITLE	REF 033178
XXX	± .005	OUTLINE - 180TC FRAME	FMF
XXXX	± .0005	TEFC - "C" FACE - RIGID "C"	PAGE OF
NO	REVISION	MATL W/ MANUAL PROTECTOR	REV
	BY & DATE	FINISH	
	THIRD ANGLE PROJECTION	RFP	SIZE B
		CHK ANG ±1/2°	DRAWING NO 035381
		PREV	
		NETWORK FILE NAME	

RBC PROPRIETARY AND CONFIDENTIAL INFORMATION
 This document is the property of REGAL BELOIT CORPORATION ("RBC") including its subsidiaries and divisions and contains proprietary information of RBC. This document is loaned on the express condition that neither it nor the information contained therein shall be disclosed to others without the express written consent of RBC, and that the information shall be used by the recipient only as approved expressly by RBC. This document shall be returned to RBC upon its request. This document may be subject to certain restrictions under U.S. export control laws and regulations.

VIEW FROM OUTSIDE OF MOTOR AT SWITCH END.



* THIS LEAD MAY BE WHITE



ROTATION FACING LEAD END	L1	L2	JOIN
C.C.W.	P1	T4, T5	T1, T8
C.W.	P1	T4, T8	T1, T5

		TOLERANCES UNLESS SPECIFIED		LEESON	ELECTRIC MOTORS GEARMOTORS AND DRIVES	DRAWN WLW 08/30/76 CHK WRK 09/24/76 APPD			
NO.	REVISION	BY & DATE	CHK				DEC.	INCHES	
				.X	±.1				
08	ALTERNATE T5 LEAD MARKING WAS RED	RLW 8/6/02		.XX	±.01	TITLE			
07	ADDED ALTERNATE T5 LEAD MARKING	RLW 5/31/02	KH	.XXX	±.005	EXTERNAL WIRING DIAGRAM TYPE "K" W/ PROTECTOR			
06	REDRAWN TO CAD	DBT 5/31/02		.XXXX	±.0005	MAT'L. DECAL - 004015			
				ANG	±1/2°	FINISH			
THIS DRAWING IN DESIGN AND DETAIL IS OUR PROPERTY AND MUST NOT BE USED EXCEPT IN CONNECTION WITH OUR WORK ALL RIGHTS OF DESIGN AND INVENTION ARE RESERVED THIS IS AN ELECTRONICALLY GENERATED DOCUMENT - DO NOT SCALE THIS PRINT				RFP	CAD FILE	00505603	SIZE	DRAWING NO.	REV.
				DIST	BRF-NLV		A	005056-03	08