

PRODUCT INFORMATION PACKET



Model No: 131850.00

Catalog No: 131850.00

7.50 HP Crop Dryer Motor, 3 phase, 3600 RPM, 208-230/460 V, 184TZ Frame, DPAO
Crop Dryer Motors



Regal and Leeson are trademarks of Regal Beloit Corporation or one of its affiliated companies.
©2020 Regal Beloit Corporation, All Rights Reserved. MC017097E

The Regal logo is located in the bottom right corner. It features the word "REGAL" in a white, bold, sans-serif font, set against a dark grey, trapezoidal background. The background of the entire page on the right side is a blue gradient with a halftone dot pattern.



Nameplate Specifications

Output HP	7.50 Hp	Output KW	5.6 kW
Frequency	60 Hz	Voltage	208-230/460 V
Current	18.5-17.5/8.7 A	Speed	3525 rpm
Service Factor	1	Phase	3
Efficiency	89.5 %	Power Factor	90.5
Duty	Continuous	Insulation Class	F
Design Code	B	KVA Code	J
Frame	184TZ	Enclosure	Drip Proof Air Over
Thermal Protection	Thermostats (N/C)	Ambient Temperature	40 °C
Drive End Bearing Size	6206	Opp Drive End Bearing Size	6205
UL	Recognized	CSA	Y
CE	Y	IP Code	12

Technical Specifications

Electrical Type	Squirrel Cage Induction Run	Starting Method	Across The Line
Poles	2	Rotation	Reversible
Resistance Main	0 Ohms	Mounting	Rigid base
Motor Orientation	Horizontal	Drive End Bearing	Ball
Opp Drive End Bearing	Ball	Frame Material	Rolled Steel
Shaft Type	Single Special Extension	Overall Length	15.44 in
Frame Length	10.50 in	Shaft Diameter	1.125 in
Shaft Extension	3.59 in	Assembly/Box Mounting	F3
Outline Drawing	035720-1050	Connection Drawing	005010.20

This is an uncontrolled document once printed or downloaded and is subject to change without notice. Date Created:27/05/2020

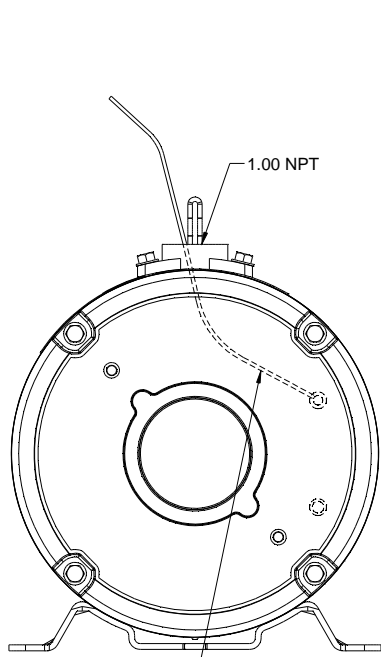
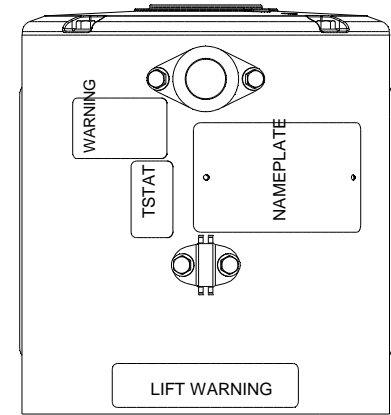
4

3

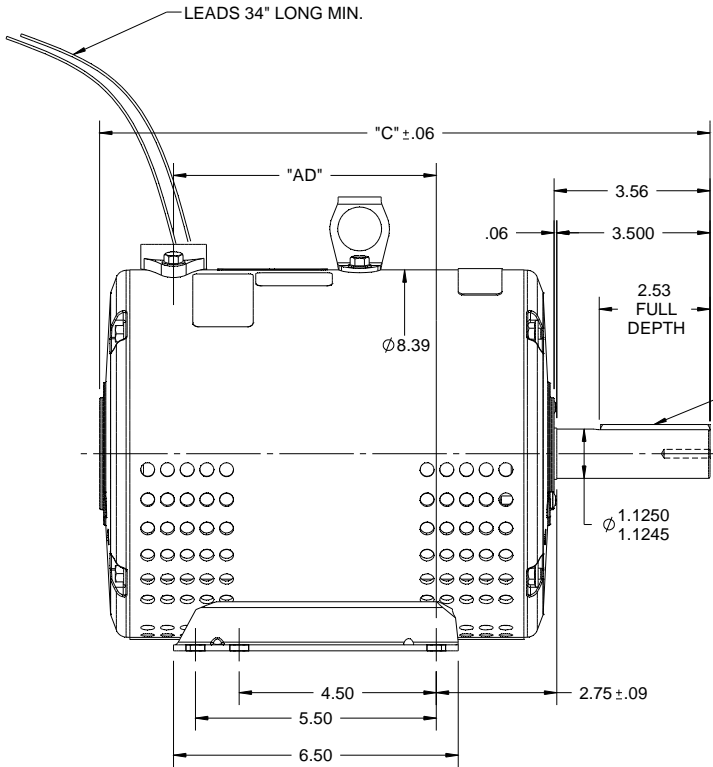
2

1

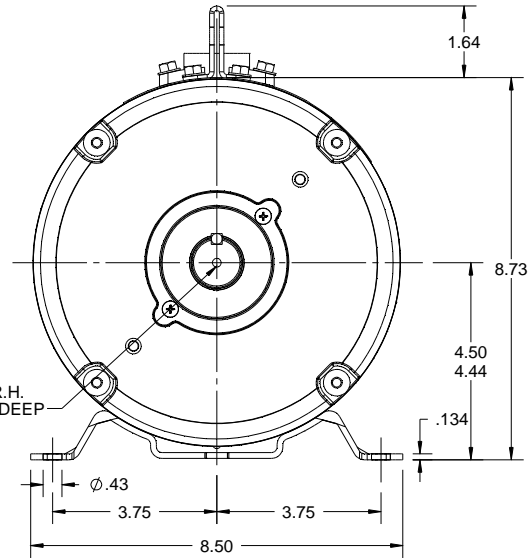
DASH NO.	"C"	"AD"
750	12.44	4.50
800	12.94	5.00
850	13.44	5.50
900	13.94	6.00
950	14.44	6.50
1000	14.94	7.00
1050	15.44	7.50
1100	15.94	8.00
1150	16.44	8.50



GROUND LEAD 34" LONG MIN. ATTACHED TO THE PROTECTOR BOSS WITH #10-32 GROUND SCREW



1/4-20 UNC-2B R.H. THREAD X 1.00 DEEP



DRAWING REVISION F	REVISION BY M.MCCALEB	DATE 04-27-2015
ECO-0076543	APPROVED BY G.SCHALLOCK	DATE 04-27-2015
ECO DESCRIPTION 1.00 NPT WAS 3/4-14 NPT		
<small>COPYRIGHT REGAL BELOIT AMERICA, INC. ALL RIGHTS RESERVED. PROPRIETARY AND CONFIDENTIAL INFORMATION - THIS DOCUMENT IS THE PROPERTY OF REGAL BELOIT AMERICA, INC. (OWNER) AND CONTAINS OWNER'S PROPRIETARY INFORMATION. ANY PERSON, CORPORATION OR OTHER FIRM RECEIVING IT IS DEEMED, BY RECEIVING IT, TO AGREE THAT IT, AND/OR ANY PART OF IT, SHALL NOT BE DISCLOSED TO ANY PERSON, CORPORATION OR OTHER ENTITY, DUPLICATED, AND/OR USED, EXCEPT AS EXPRESSLY APPROVED IN WRITING IN ADVANCE BY OWNER. THIS DOCUMENT SHALL BE RETURNED TO OWNER UPON REQUEST. IT MAY BE SUBJECT TO CERTAIN RESTRICTIONS UNDER APPLICABLE EXPORT CONTROL LAWS AND REGULATIONS.</small>		

TOLERANCES UNLESS OTHERWISE SPECIFIED:
 DEC. INCH mm ANGLE
 .X ±0.1 [+2.5] ±0.5°
 .XX ±0.03 [+0.76]
 .XXX ±0.005 [+0.127]
 .XXXX ±0.0005 [+0.0127]
 REMOVE BURRS & BREAK SHARP
 EDGES: .003/.015 [.076/.381] X 45°
 CORNER FILLETS: R.02 [.51]
 MACHINED SURFACES: 125 3.2
 INCH mm
 mm SHOWN IN [BRACKETS]

DRAWN BY LST	DATE 2/19/09
APPROVED BY	DATE
REFERENCE	THIRD ANGLE PROJECTION

Regal Beloit America, Inc.	
DESCRIPTION	OUTLINE DRIP PROOF RIGID
MATERIAL	PROCESS/FINISH
SIZE B	DRAWING NUMBER 035720
SHEET 1 OF 1	

ORACLE REV	003
------------	-----

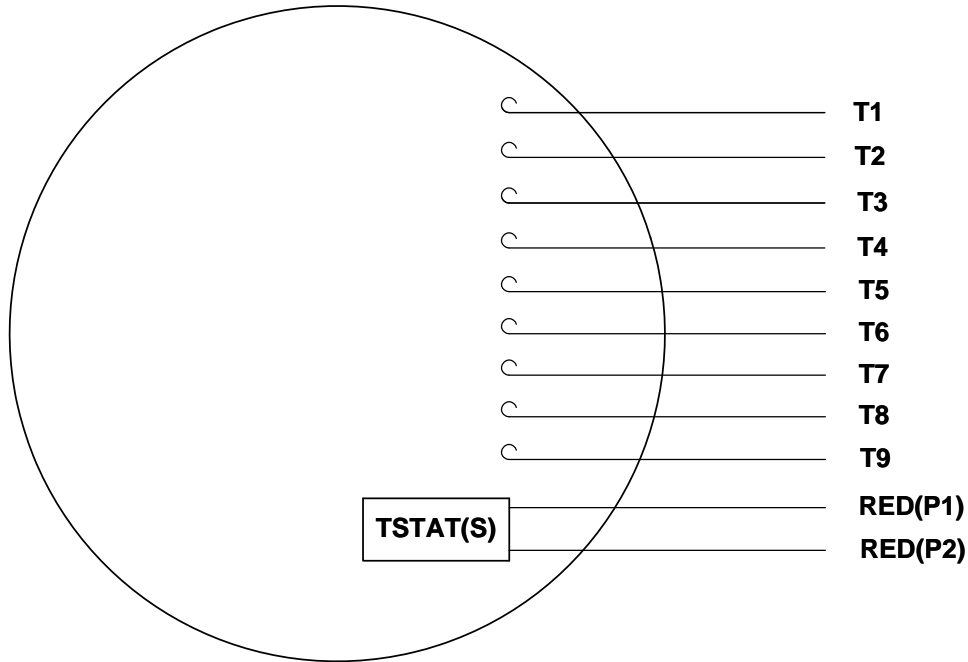
4

3

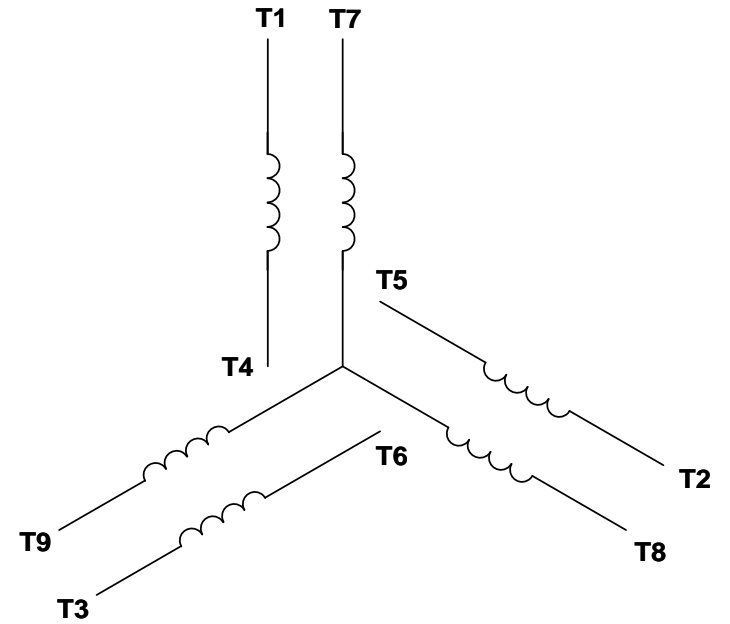
2

1

VIEW FROM OUTSIDE OF MOTOR AT SWITCH END. Uncontrolled Copy



LINE LEADS



VOLTAGE	L1	L2	L3	JOIN & INSULATE
HIGH	T1	T2	T3	(T4,T7) (T5,T8) (T6,T9)
LOW	T1,T7	T2,T8	T3,T9	T4,T5,T6

DRAWING REVISION G	REVISION BY MVG	DATE 04/05/2017
ECO ECO-0121253	APPROVED BY SM	DATE 04/05/2017

ECO DESCRIPTION
ADDED P1 & P2 FOR TSTAT

COPYRIGHT REGAL BELOIT AMERICA, INC. ALL RIGHTS RESERVED.
PROPRIETARY AND CONFIDENTIAL INFORMATION - THIS DOCUMENT IS THE PROPERTY OF
REGAL BELOIT AMERICA, INC. ("OWNER") AND CONTAINS OWNER'S PROPRIETARY
INFORMATION. ANY PERSON, CORPORATION OR OTHER FIRM RECEIVING IT IS DEEMED,
BY RECEIVING IT, TO AGREE THAT IT, AND/OR ANY PART OF IT, SHALL NOT BE DISCLOSED
TO ANY PERSON, CORPORATION OR OTHER ENTITY, DUPLICATED, AND/OR USED, EXCEPT
AS EXPRESSLY APPROVED IN WRITING IN ADVANCE BY OWNER. THIS DOCUMENT SHALL
BE RETURNED TO OWNER UPON REQUEST. IT MAY BE SUBJECT TO CERTAIN
RESTRICTIONS UNDER APPLICABLE EXPORT CONTROL LAWS AND REGULATIONS.

TOLERANCES UNLESS OTHERWISE SPECIFIED:

DEC.	INCH	mm	ANGLE
.X	±0.1	[±2.5]	±0.5°
.XX	±0.01	[±0.25]	
.XXX	±0.005	[±0.127]	
.XXXX	±0.0005	[±0.0127]	

REMOVE BURRS & BREAK SHARP EDGES: .003/.015 [.076/.381] X 45°
CORNER FILLETS: R.02 [.51]
MACHINED SURFACES: 125/3.2 INCH/mm
mm SHOWN IN [BRACKETS]

DRAWN BY DBT 12/16/97
DATE
APPROVED BY KH 12/17/97
DATE
REFERENCE
THIRD ANGLE PROJECTION

Regal Beloit America, Inc.

DESCRIPTION
CONN DIAGRAM-EXTERNAL
3 PHASE WITH PROTECTOR

MATERIAL DECAL - 004014 (TSTAT) - 080582	PROCESS/FINISH STOCK
SIZE A	DRAWING NUMBER 00501020
SHEET 1 OF 1	