

# PRODUCT INFORMATION PACKET



Model No: C184K17DK18A

Catalog No: 131853.00

3HP..1740RPM.184.DP./208-230V.1PH.60HZ.CONT.MANUAL.40C.1.15SF.RIGID.PRESSURE  
WASHER.C184K17DK18A

Pressure Washers



Regal and Leeson are trademarks of Regal Beloit Corporation or one of its affiliated companies.

©2018 Regal Beloit Corporation, All Rights Reserved. MC017097E





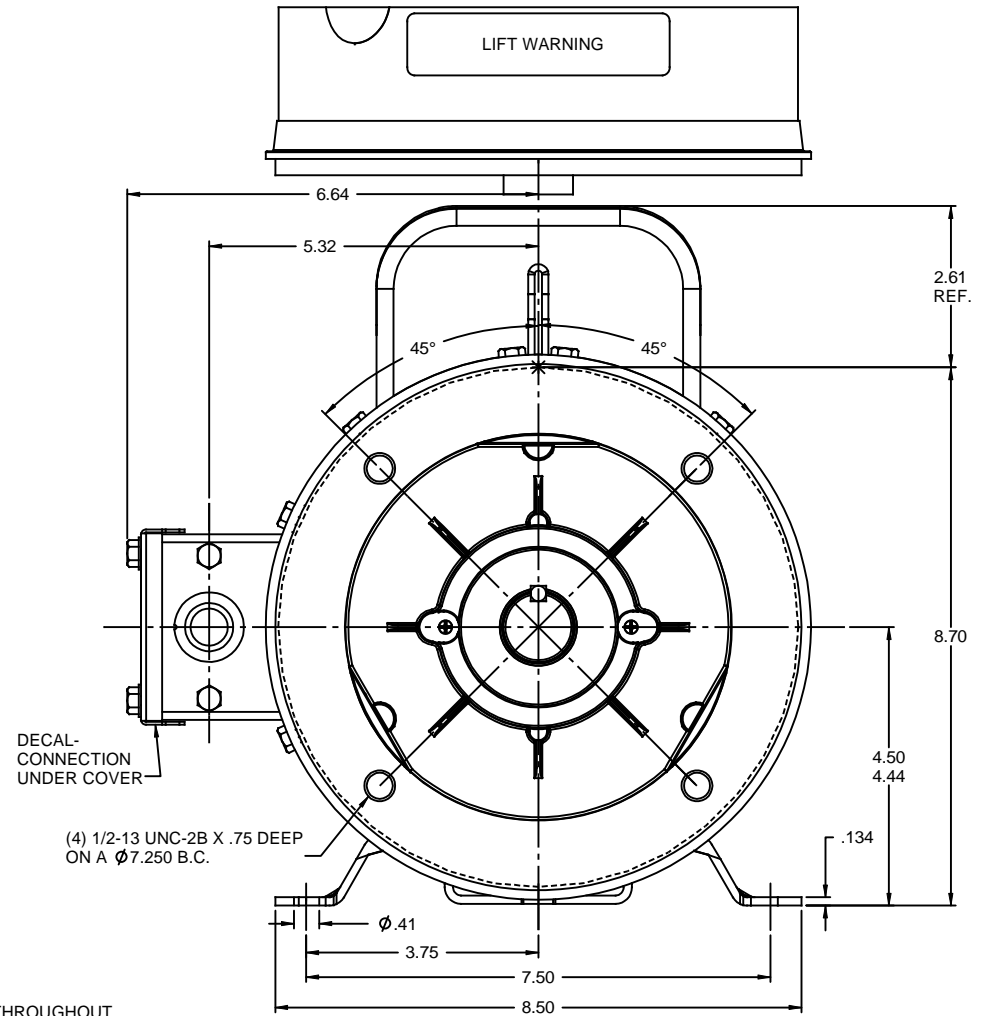
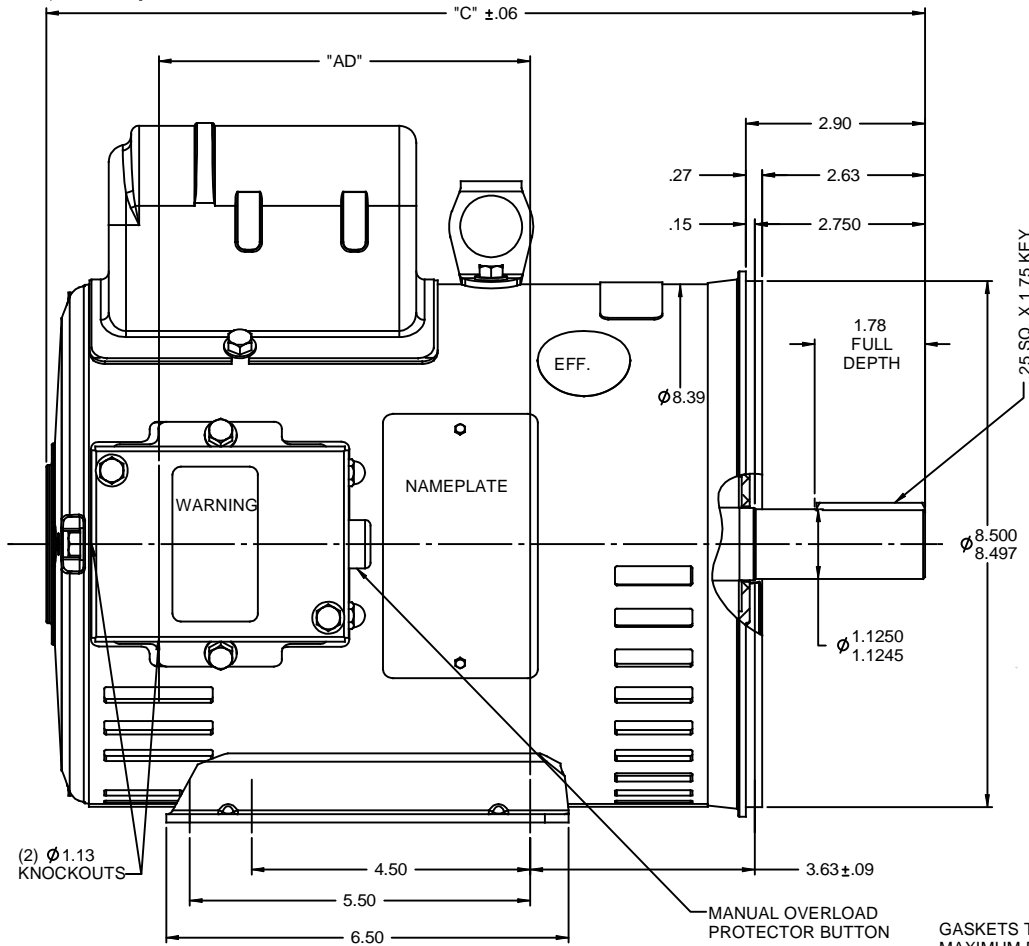
### Nameplate Specifications

Output HP	<b>3 Hp</b>	Output KW	<b>2.2 kW</b>
Frequency	<b>60 Hz</b>	Voltage	<b>208-230 V</b>
Current	<b>14.6-13.8 A</b>	Speed	<b>1740 rpm</b>
Service Factor	<b>1.15</b>	Phase	<b>1</b>
Efficiency	<b>81.5 %</b>	Duty	<b>Continuous</b>
Insulation Class	<b>F</b>	Design Code	<b>L</b>
KVA Code	<b>H</b>	Frame	<b>184TC</b>
Enclosure	<b>Drip Proof</b>	Overload Protector	<b>Manual</b>
Ambient Temperature	<b>40 °C</b>	Drive End Bearing Size	<b>6206</b>
Opp Drive End Bearing Size	<b>6205</b>	UL	<b>Recognized</b>
CSA	<b>Y</b>	CE	<b>N</b>
IP Code	<b>22</b>		

### Technical Specifications

Electrical Type	<b>Capacitor Start Capacitor Run</b>	Starting Method	<b>Across The Line</b>
Poles	<b>4</b>	Rotation	<b>Selective Counterclockwise</b>
Mounting	<b>Rigid base</b>	Motor Orientation	<b>HORIZONTAL</b>
Drive End Bearing	<b>BALL</b>	Opp Drive End Bearing	<b>BALL</b>
Frame Material	<b>Rolled Steel</b>	Shaft Type	<b>T</b>
Overall Length	<b>13.20 in</b>	Frame Length	<b>9.00 in</b>
Shaft Diameter	<b>1.125 in</b>	Shaft Extension	<b>2.75 in</b>
Assembly/Box Mounting	<b>F1 ONLY</b>		
Outline Drawing	<b>035373-900</b>	Connection Diagram	<b>005056.03</b>

RBC PROPRIETARY AND CONFIDENTIAL INFORMATION  
 This document is the property of REGAL BELOIT CORPORATION ("RBC") including its subsidiaries and divisions and contains proprietary information of RBC. This document is loaned on the express condition that neither it nor the information contained therein shall be disclosed to others without the express written consent of RBC, and that the information shall be used by the recipient only as approved expressly by RBC. This document shall be returned to RBC upon its request. This document may be subject to certain restrictions under U.S. export control laws and regulations.



GASKETS THROUGHOUT  
 MAXIMUM FACE RUNOUT TO BE .004 T.I.R.  
 MAXIMUM PILOT ECCENTRICITY TO BE .004 T.I.R.  
 PERMISSIBLE SHAFT RUNOUT TO BE .002 T.I.R.

DASH NO.	"C"	"AD"
900	13.20	5.00
950	13.70	5.50
1000	14.20	6.00
1050	14.70	6.50
1100	15.20	7.00
1150	15.70	7.50
1200	16.20	8.00
1250	16.70	8.50

REVISION		BY & DATE	CHK	ANG	FINISH	PREV	SIZE	DRAWING NO	REV
- UPDATED & REDRAWN ON SOLIDWORKS		LST 11/16/2009	XX	XXXX	±.0005		B	035373	-
REVISION		BY & DATE	CHK	ANG	FINISH	PREV	SIZE	DRAWING NO	REV
THIRD ANGLE PROJECTION							B	035373	-

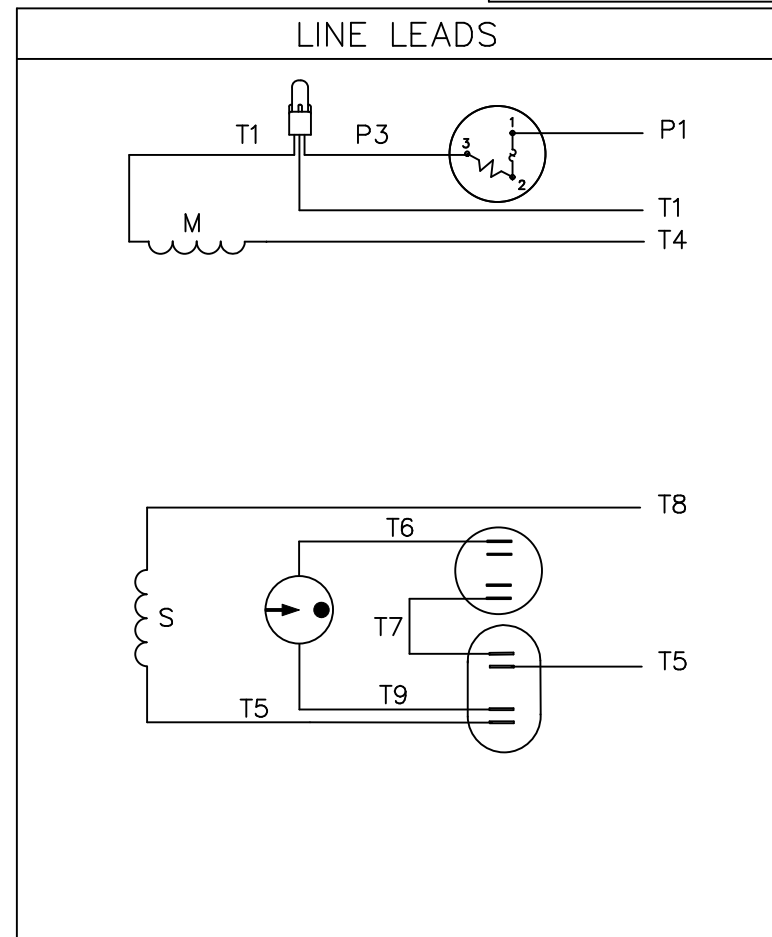
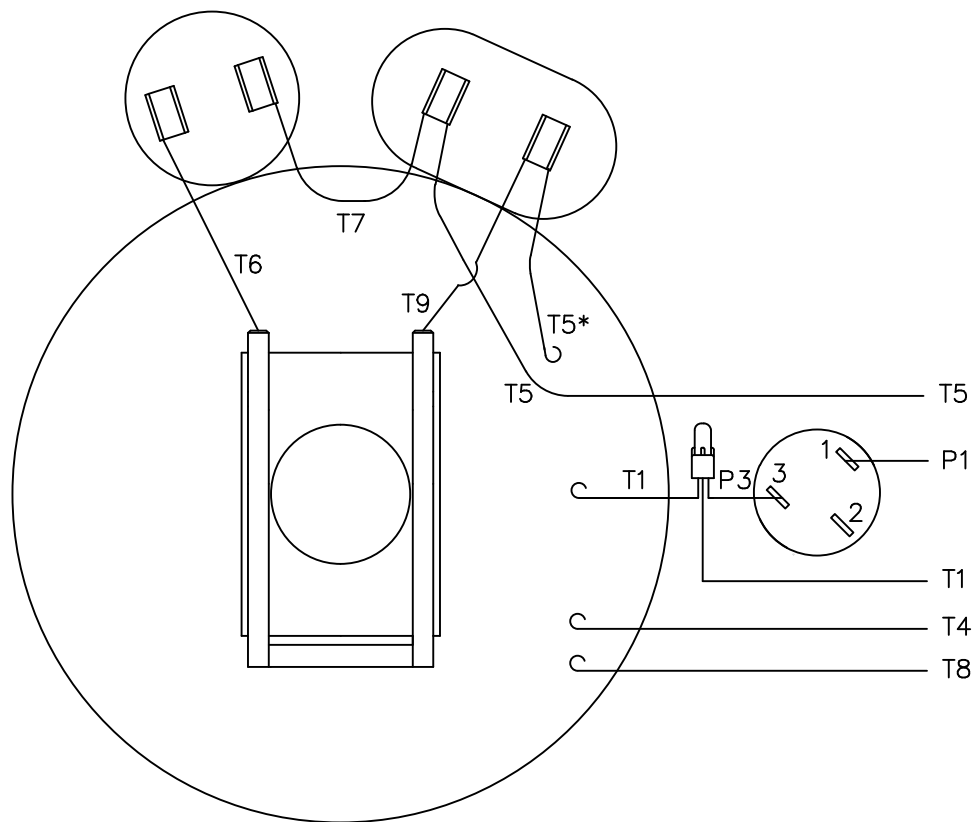


TOLERANCES UNLESS SPECIFIED:  
 DEC INCHES  
 X ±.1  
 .XX ±.03  
 .XXX ±.005  
 .XXXX ±.0005

TITLE OUTLINE - 180TC FRAME  
 DRIP PROOF - RIGID "C" FACE


DRAWN PG 10/3/97  
 CHK RSK 10/3/97  
 APPR  
 SCALE 1:2  
 REF 035059  
 FMF  
 PAGE OF

VIEW FROM OUTSIDE OF MOTOR AT SWITCH END.



ROTATION FACING LEAD END	L1	L2	JOIN
C.C.W.	P1	T4, T5	T1, T8
C.W.	P1	T4, T8	T1, T5

\* THIS LEAD MAY BE WHITE

		TOLERANCES UNLESS SPECIFIED		 ELECTRIC MOTORS GEARMOTORS AND DRIVES		DRAWN WLW 08/30/76		
		DEC.	INCHES			CHK WRK 09/24/76	APPD	
			.X	±.1	TITLE	EXTERNAL WIRING DIAGRAM TYPE "K" W/ PROTECTOR	SCALE 1=1	
08	ALTERNATE T5 LEAD MARKING WAS RED	RLW	8/6/02	.XX	±.01	MAT'L.	DECAL - 004015	
07	ADDED ALTERNATE T5 LEAD MARKING	RLW	5/31/02	KH	.XXX	±.005	REF	
06	REDRAWN TO CAD	DBT	5/31/02		.XXXX	±.0005	FMF 6K17FB4	
NO.	REVISION	BY & DATE	CHK	ANG	±1/2'	FINISH	PREV	
THIS DRAWING IN DESIGN AND DETAIL IS OUR PROPERTY AND MUST NOT BE USED EXCEPT IN CONNECTION WITH OUR WORK ALL RIGHTS OF DESIGN AND INVENTION ARE RESERVED THIS IS AN ELECTRONICALLY GENERATED DOCUMENT - DO NOT SCALE THIS PRINT		RFP	CAD FILE		00505603	SIZE	DRAWING NO.	REV.
		DIST	BRF-NLV			A	005056-03	08

