

# PRODUCT INFORMATION PACKET



Model No: 131857.00  
Catalog No: 131857.00  
3 HP General Purpose Motor, 1 phase, 1800 RPM, 230 V, 184TC Frame, TEFC  
Single Phase TEFC Motors



Regal and Leeson are trademarks of Regal Beloit Corporation or one of its affiliated companies.  
©2020 Regal Beloit Corporation, All Rights Reserved. MC017097E





**Nameplate Specifications**

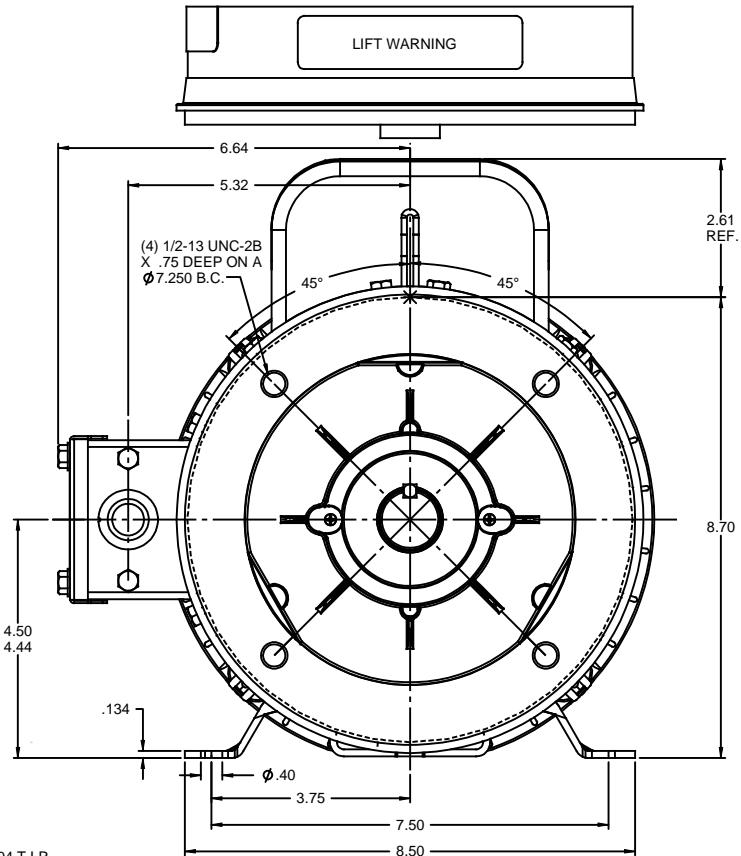
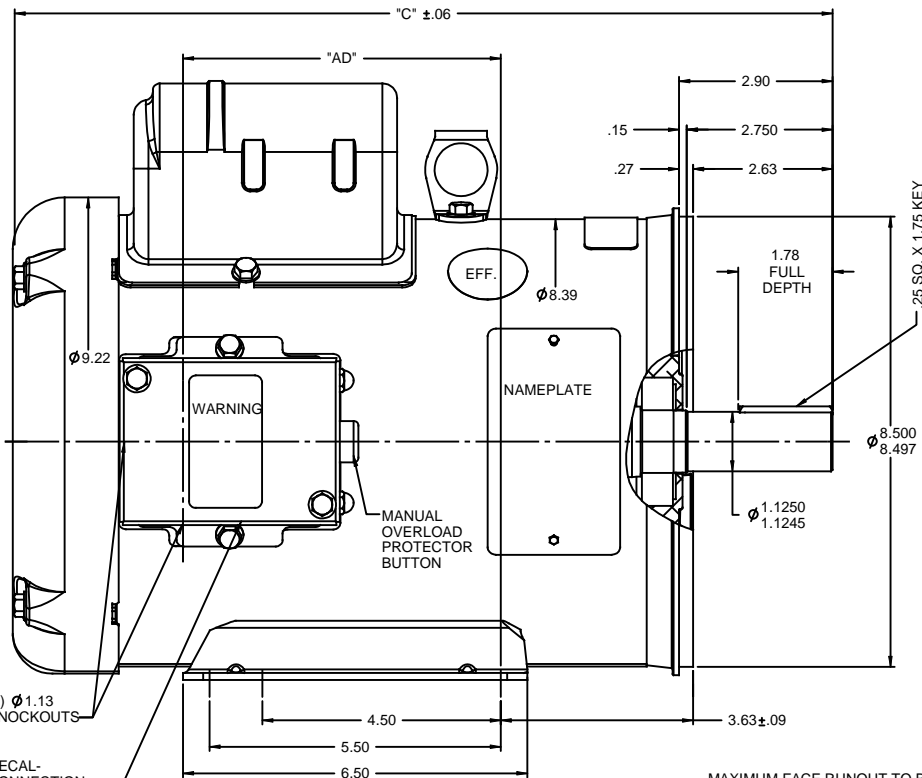
Output HP	<b>3 Hp</b>	Output KW	<b>2.2 kW</b>
Frequency	<b>60 Hz</b>	Voltage	<b>230 V</b>
Current	<b>12.8 A</b>	Speed	<b>1755 rpm</b>
Service Factor	<b>1.15</b>	Phase	<b>1</b>
Efficiency	<b>81.5 %</b>	Power Factor	<b>94.5</b>
Duty	<b>Continuous</b>	Insulation Class	<b>F</b>
Design Code	<b>L</b>	KVA Code	<b>H</b>
Frame	<b>184TC</b>	Enclosure	<b>Totally Enclosed Fan Cooled</b>
Thermal Protection	<b>Manual</b>	Ambient Temperature	<b>40 °C</b>
Drive End Bearing Size	<b>6206</b>	Opp Drive End Bearing Size	<b>6205</b>
UL	<b>Recognized</b>	CSA	<b>Y</b>
CE	<b>N</b>	IP Code	<b>43</b>

**Technical Specifications**

Electrical Type	<b>Capacitor Start Capacitor Run</b>	Starting Method	<b>Across The Line</b>
Poles	<b>4</b>	Rotation	<b>Selective Counterclockwise</b>
Resistance Main	<b>0 Ohms</b>	Mounting	<b>Rigid base</b>
Motor Orientation	<b>Horizontal</b>	Drive End Bearing	<b>Ball</b>
Opp Drive End Bearing	<b>Ball</b>	Frame Material	<b>Rolled Steel</b>
Shaft Type	<b>T</b>	Overall Length	<b>14.97 in</b>
Frame Length	<b>9.50 in</b>	Shaft Diameter	<b>1.125 in</b>
Shaft Extension	<b>2.75 in</b>	Assembly/Box Mounting	<b>F1 ONLY</b>
Connection Drawing	<b>005056.03</b>	Outline Drawing	<b>035381-950</b>

This is an uncontrolled document once printed or downloaded and is subject to change without notice. Date Created:20/05/2020

RBC PROPRIETARY AND CONFIDENTIAL INFORMATION  
 This document is the property of REGAL BELOIT CORPORATION ("RBC") including its subsidiaries and divisions and contains proprietary information of RBC. This document is loaned on the express condition that neither it nor the information contained therein shall be disclosed to others without the express written consent of RBC, and that the information shall be used by the recipient only as approved expressly by RBC. This document shall be returned to RBC upon its request. This document may be subject to certain restrictions under U.S. export control laws and regulations.



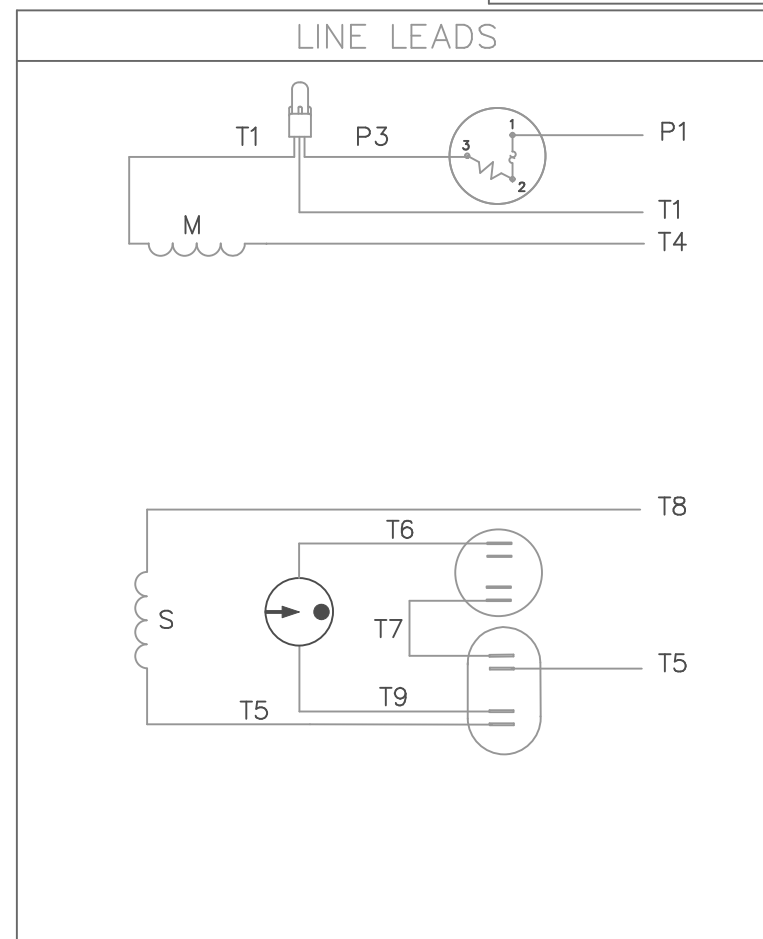
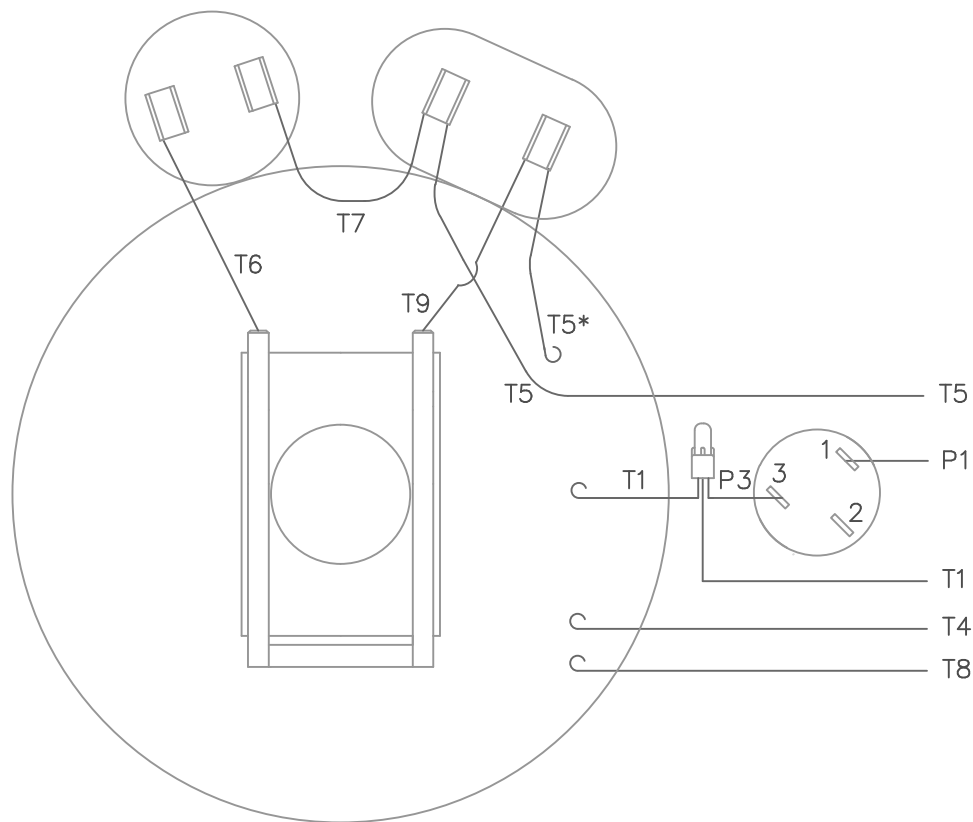
MAXIMUM FACE RUNOUT TO BE .004 T.I.R.  
 MAXIMUM PILOT ECCENTRICITY TO BE .004 T.I.R.  
 PERMISSIBLE SHAFT RUNOUT TO BE .002 T.I.R.  
 GASKETS THROUGHOUT

DASH NO.	"C"	"AD"
850	13.97	4.50
900	14.47	5.00
950	14.97	5.50
1000	15.47	6.00
1050	15.97	6.50
1100	16.47	7.00
1150	16.97	7.50
1200	17.47	8.00

TOLERANCES UNLESS SPECIFIED:			DRAWN PG 10/30/97
DEC	INCHES		CHK RK 10/30/97
X	±.1	APP	SCALE 1:2
XX	±.03	TITLE	REF 033178
XXX	±.005	OUTLINE - 180TC FRAME	FMF
XXXX	±.0005	TEFC - "C" FACE - RIGID "C"	PAGE OF
NO	REVISION	MATL W/ MANUAL PROTECTOR	REV
	BY & DATE	FINISH	
	THIRD ANGLE PROJECTION	RFP	SIZE B
		CHK ANG ±1/2°	DRAWING NO 035381
		PREV	
		NETWORK FILE NAME	

RBC PROPRIETARY AND CONFIDENTIAL INFORMATION  
 This document is the property of REGAL BELOIT CORPORATION ("RBC") including its subsidiaries and divisions and contains proprietary information of RBC. This document is loaned on the express condition that neither it nor the information contained therein shall be disclosed to others without the express written consent of RBC, and that the information shall be used by the recipient only as approved expressly by RBC. This document shall be returned to RBC upon its request. This document may be subject to certain restrictions under U.S. export control laws and regulations.

VIEW FROM OUTSIDE OF MOTOR AT SWITCH END.



ROTATION FACING LEAD END	L1	L2	JOIN
C.C.W.	P1	T4, T5	T1, T8
C.W.	P1	T4, T8	T1, T5

\* THIS LEAD MAY BE WHITE

			TOLERANCES UNLESS SPECIFIED		LEESON	ELECTRIC MOTORS GEARMOTORS AND DRIVES	DRAWN WLW 08/30/76 CHK WRK 09/24/76 APPD		
			DEC.	INCHES					
			.X	±.1					
08	ALTERNATE T5 LEAD MARKING WAS RED	RLW 8/6/02	.XX	±.01	TITLE	EXTERNAL WIRING DIAGRAM TYPE "K" W/ PROTECTOR	SCALE 1=1		
07	ADDED ALTERNATE T5 LEAD MARKING	RLW 5/31/02	KH	.XXX ±.005			REF		
06	REDRAWN TO CAD	DBT 5/31/02		.XXXX ±.0005	MAT'L.	DECAL - 004015	FMF 6K17FB4		
NO.	REVISION	BY & DATE	CHK	ANG ±1/2'	FINISH		PREV		
THIS DRAWING IN DESIGN AND DETAIL IS OUR PROPERTY AND MUST NOT BE USED EXCEPT IN CONNECTION WITH OUR WORK ALL RIGHTS OF DESIGN AND INVENTION ARE RESERVED THIS IS AN ELECTRONICALLY GENERATED DOCUMENT - DO NOT SCALE THIS PRINT			RFP		CAD FILE	00505603	SIZE A	DRAWING NO. 005056-03	REV. 08
			DIST	BRF-NLV					