

# PRODUCT INFORMATION PACKET



Model No: 192256.00  
Catalog No: 192256.00  
0.75 HP General Purpose, 1 phase, 3600 RPM, 115/230 V, 80 Frame, TEFC  
Aluminium TEFC Motors





### Nameplate Specifications

Output HP	0.75 Hp	Output KW	0.56 kW
Frequency	60 Hz	Voltage	115/230 V
Current	8.2/4.1 A	Speed	3475 rpm
Service Factor	1.15	Phase	1
Efficiency	75.5 %	Power Factor	78
Duty	Continuous	Insulation Class	F
Design Code	NO DESIGN CODE	KVA Code	K
Frame	80	Enclosure	Totally Enclosed Fan Cooled
Thermal Protection	Manual	Ambient Temperature	40 °C
Drive End Bearing Size	6204	Opp Drive End Bearing Size	6204
UL	Recognized	CSA	Y
CE	Y	IP Code	55

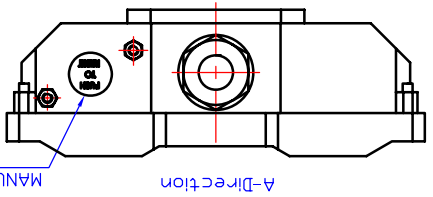
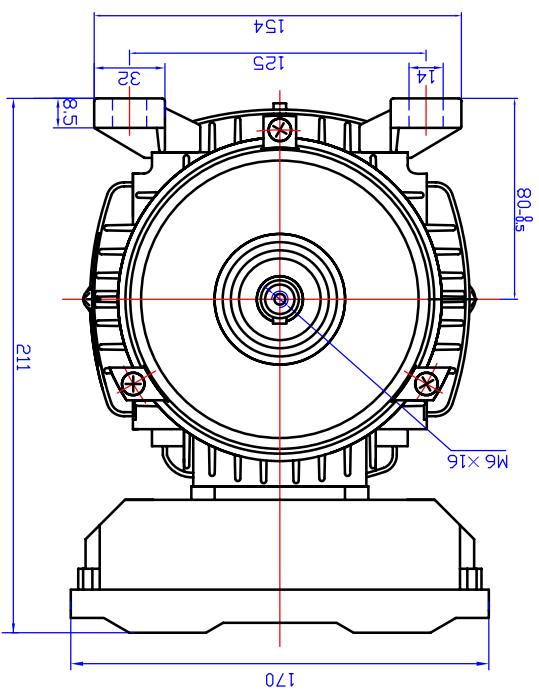
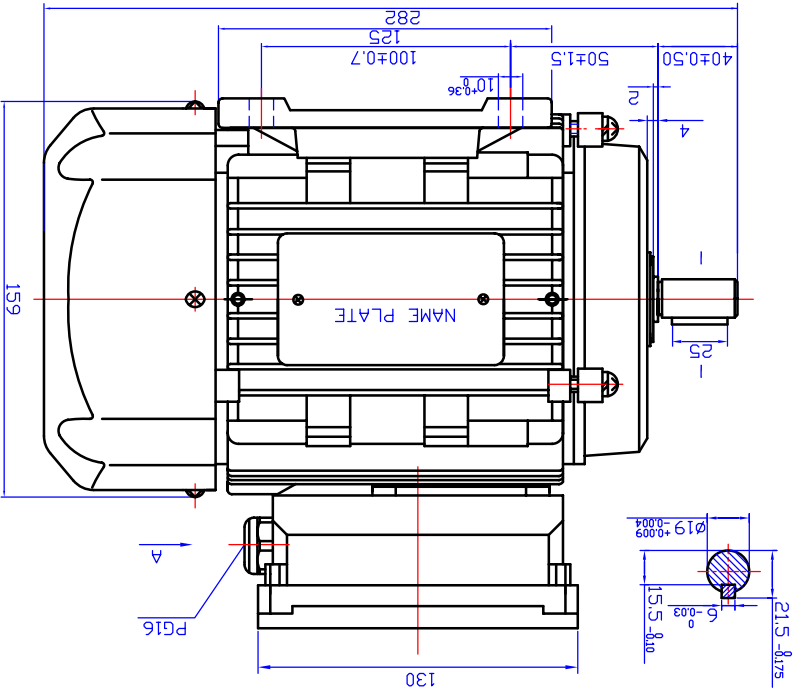
### Technical Specifications

Electrical Type	Capacitor Start Induction Run	Starting Method	Across The Line
Poles	2	Rotation	Selective Counterclockwise
Resistance Main	3.159 Ohms	Mounting	B3
Motor Orientation	Horizontal	Drive End Bearing	Ball
Opp Drive End Bearing	Ball	Frame Material	Rolled Steel
Shaft Type	IEC	Overall Length	11.10 in
Shaft Diameter	0.750 in	Shaft Extension	1.57 in
Assembly/Box Mounting	F1 ONLY		
Connection Drawing	SEE OUTLINE	Outline Drawing	039082

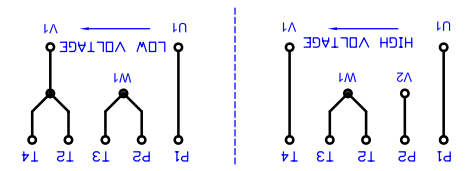
This is an uncontrolled document once printed or downloaded and is subject to change without notice. Date Created:14/10/2020

REV ECO  
Uncontrolled Copy

REV	ECO	REV BY	DATE	APPD	DATE



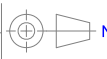
EXCHANGE TS&T8 TO GET CCW



CONNECTION

REGAL REGAL-BELOIT CORPORATION

DR BY: YCHH  
APPD:



FIRST ANGLE PROJECTION  
EDS DATE 2017.07.28  
VERSION A

CONFIDENTIAL: THIS DRAWING AND ITS INFORMATION ARE THE EXCLUSIVE PROPERTY OF REGAL-BELOIT CORPORATION AND ARE NOT TO BE DISCLOSED, DUPLICATED, DISTRIBUTED OR OTHERWISE USED WITHOUT THE WRITTEN CONSENT OF REGAL-BELOIT CORPORATION.  
-ALL RIGHTS RESERVED.

SCALE  
A3

SIZE  
DWG NO 039082

SHEET

DESCRIPTION  
OUTLINE DRAWING(B3)