

PRODUCT INFORMATION PACKET



Model No: 192259.00
Catalog No: 192259.00
1 HP General Purpose, 1 phase, 1800 RPM, 115/230 V, 80 Frame, TEFC
Aluminium TEFC Motors

Regal and Leeson are trademarks of Regal Beloit Corporation or one of its affiliated companies.
©2020 Regal Beloit Corporation, All Rights Reserved. MC017097E





Nameplate Specifications

Output HP	1 Hp	Output KW	0.75 kW
Frequency	60 Hz	Voltage	115/230 V
Current	9.0/4.5 A	Speed	1750 rpm
Service Factor	1.15	Phase	1
Efficiency	75.5 %	Power Factor	97
Duty	Continuous	Insulation Class	F
Design Code	N	KVA Code	G
Frame	80	Enclosure	Totally Enclosed Fan Cooled
Thermal Protection	Manual	Ambient Temperature	40 °C
Drive End Bearing Size	6204	Opp Drive End Bearing Size	6203
UL	Recognized	CSA	Y
CE	Y	IP Code	55

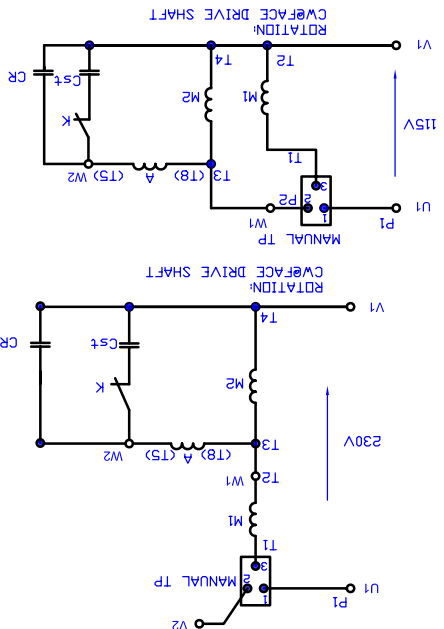
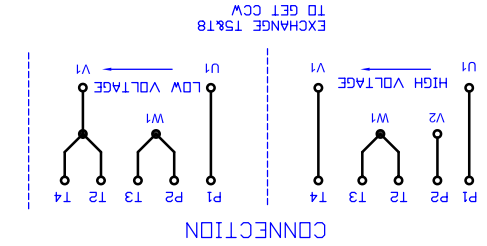
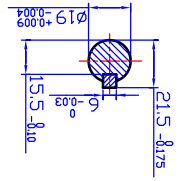
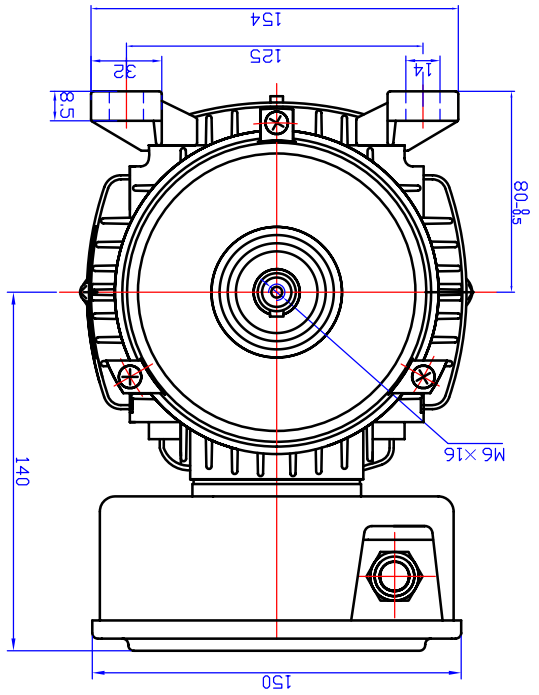
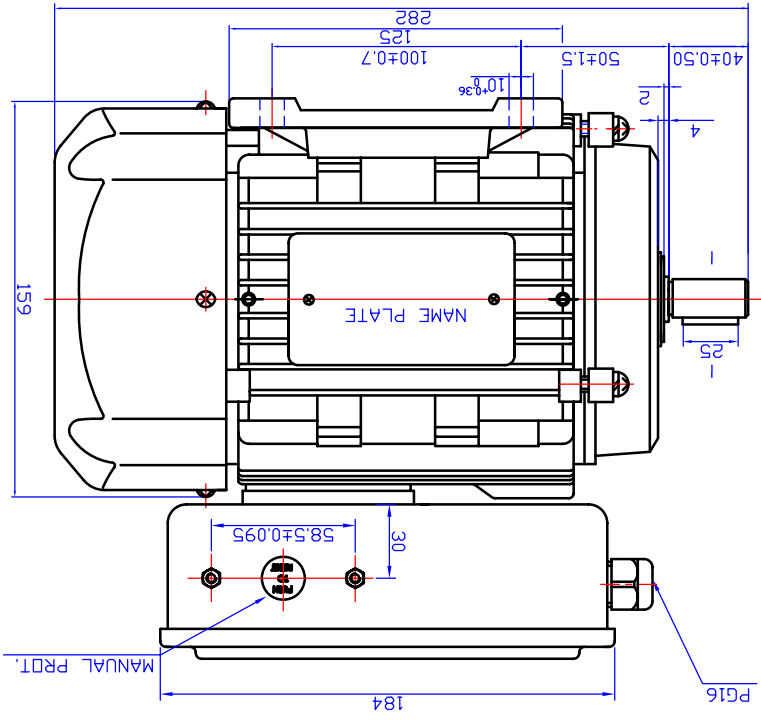
Technical Specifications

Electrical Type	Capacitor Start Capacitor Run	Starting Method	Across The Line
Poles	4	Rotation	Selective Clockwise
Resistance Main	4.431 Ohms	Mounting	B3
Motor Orientation	Horizontal	Drive End Bearing	Ball
Opp Drive End Bearing	Ball	Frame Material	Aluminum
Shaft Type	IEC	Overall Length	11.10 in
Shaft Diameter	0.750 in	Shaft Extension	1.57 in
Assembly/Box Mounting	F3		
Outline Drawing	039083	Connection Drawing	SEE OUTLINE

This is an uncontrolled document once printed or downloaded and is subject to change without notice. Date Created:14/10/2020

Uncontrolled Copy

REV				
ECO				
REV BY		DATE	APPD	DATE



DR BY:	YCHH
APPD:	
FIRST ANGLE PROJECTION	
EDS DATE	2017.07.28
VERSION	A
DESCRIPTION	OUTLINE DRAWING(B3)
SCALE	A3
SIZE	039083
DWG NO	
SHEET	

CONFIDENTIAL: THIS DRAWING AND ITS INFORMATION ARE THE EXCLUSIVE AND CONFIDENTIAL PROPERTY OF REGAL BELLOIT CORPORATION AND ARE NOT TO BE DISCLOSED, DUPLICATED, DISTRIBUTED OR OTHERWISE USED WITHOUT THE WRITTEN CONSENT OF REGAL BELLOIT CORPORATION. -ALL RIGHTS RESERVED.

REGAL
REGAL-BELOIT CORPORATION