

PRODUCT INFORMATION PACKET



Model No: 192261.00
Catalog No: 192261.00
1.50 HP General Purpose, 1 phase, 1800 RPM, 115/230 V, 90 Frame, TEFC
Aluminium TEFC Motors

Regal and Leeson are trademarks of Regal Beloit Corporation or one of its affiliated companies.
©2020 Regal Beloit Corporation, All Rights Reserved. MC017097E





Nameplate Specifications

Output HP	1.50 Hp	Output KW	1.1 kW
Frequency	60 Hz	Voltage	115/230 V
Current	12.8/6.4 A	Speed	1745 rpm
Service Factor	1.15	Phase	1
Efficiency	82.5 %	Power Factor	94
Duty	Continuous	Insulation Class	F
Design Code	N	KVA Code	G
Frame	90L	Enclosure	Totally Enclosed Fan Cooled
Thermal Protection	Manual	Ambient Temperature	40 °C
Drive End Bearing Size	6205	Opp Drive End Bearing Size	6203
UL	Recognized	CSA	Y
CE	Y	IP Code	55

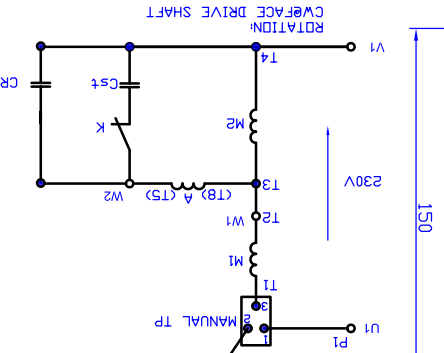
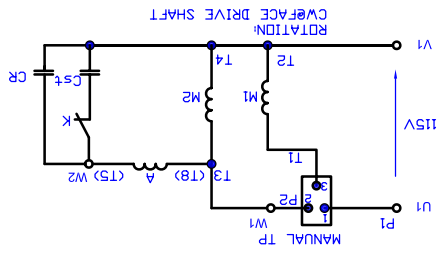
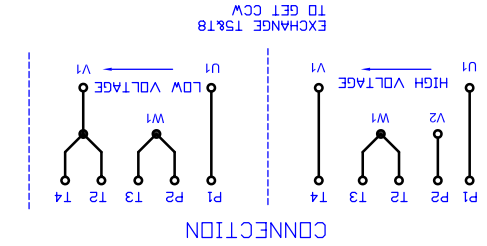
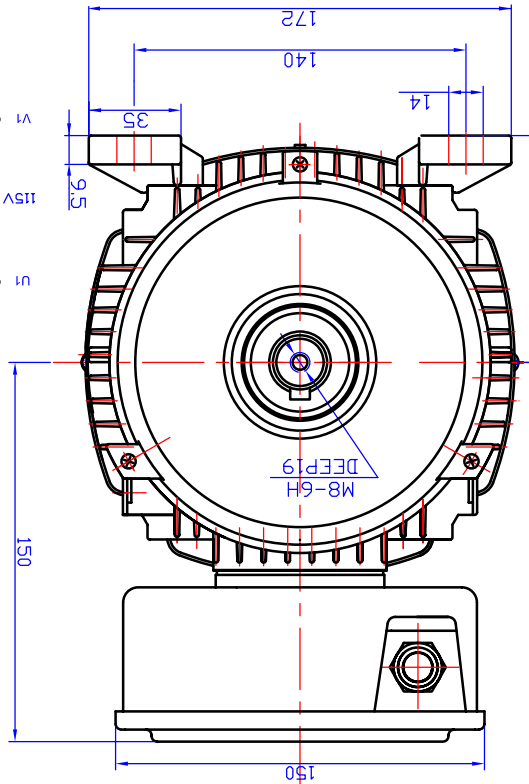
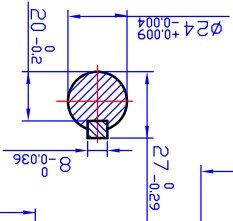
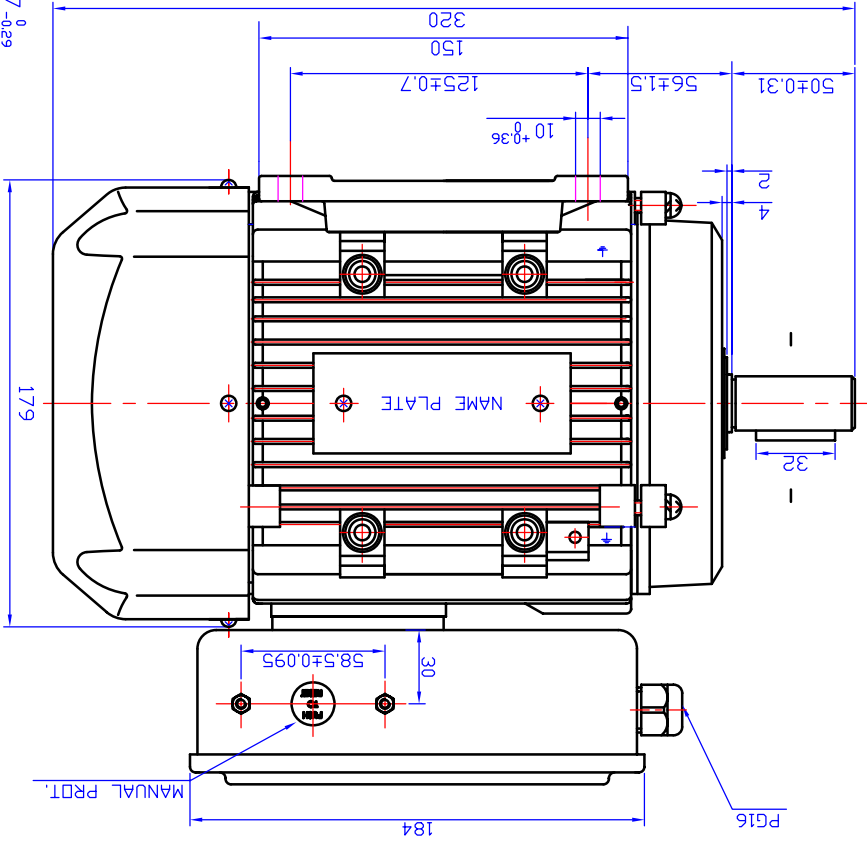
Technical Specifications

Electrical Type	Capacitor Start Capacitor Run	Starting Method	Across The Line
Poles	4	Rotation	Selective Clockwise
Resistance Main	2.094 Ohms	Mounting	B3
Motor Orientation	Horizontal	Drive End Bearing	Ball
Opp Drive End Bearing	Ball	Frame Material	Aluminum
Shaft Type	IEC	Overall Length	12.59 in
Shaft Diameter	1.000 in	Shaft Extension	1.96 in
Assembly/Box Mounting	F3		
Outline Drawing	039085	Connection Drawing	SEE OUTLINE

This is an uncontrolled document once printed or downloaded and is subject to change without notice. Date Created:14/10/2020

REV ECO
Uncontrolled Copy

REV	DATE	APPD	DATE
ECO			
REV BY	DATE	APPD	DATE



DR BY: YCHH	APPD:	DESCRIPTION	SCALE	SHEET
		REGAL-BELOIT CORPORATION	A3	039085
		REGAL		
		OUTLINE DRAWING(B3)		
		DESCRIPTION	SIZE	DWG NO
		EDS DATE 2017.07.28	VERSION A	
		FIRST ANGLE PROJECTION		
		CONFIDENTIAL: THIS DRAWING AND ITS INFORMATION ARE THE EXCLUSIVE AND CONFIDENTIAL PROPERTY OF REGAL-BELOIT CORPORATION AND ARE NOT TO BE DISCLOSED, DUPLICATED, DISTRIBUTED OR OTHERWISE USED WITHOUT THE WRITTEN CONSENT OF REGAL-BELOIT CORPORATION		
		-ALL RIGHTS RESERVED.		