

# PRODUCT INFORMATION PACKET



Model No: 194008.00  
Catalog No: 194008.00  
15 HP Washdown, 3 phase, 1800 RPM, 208-230/460 V, 254TC Frame, TEFC  
Paint Free IEC Washdown Motors



Regal and Leeson are trademarks of Regal Beloit Corporation or one of its affiliated companies.  
©2019 Regal Beloit Corporation, All Rights Reserved. MC017097E

The Regal logo is located in the bottom right corner. It features the word "REGAL" in a white, bold, sans-serif font, set against a dark grey, trapezoidal background. The background of the entire page on the right side is a blue gradient with a halftone dot pattern.



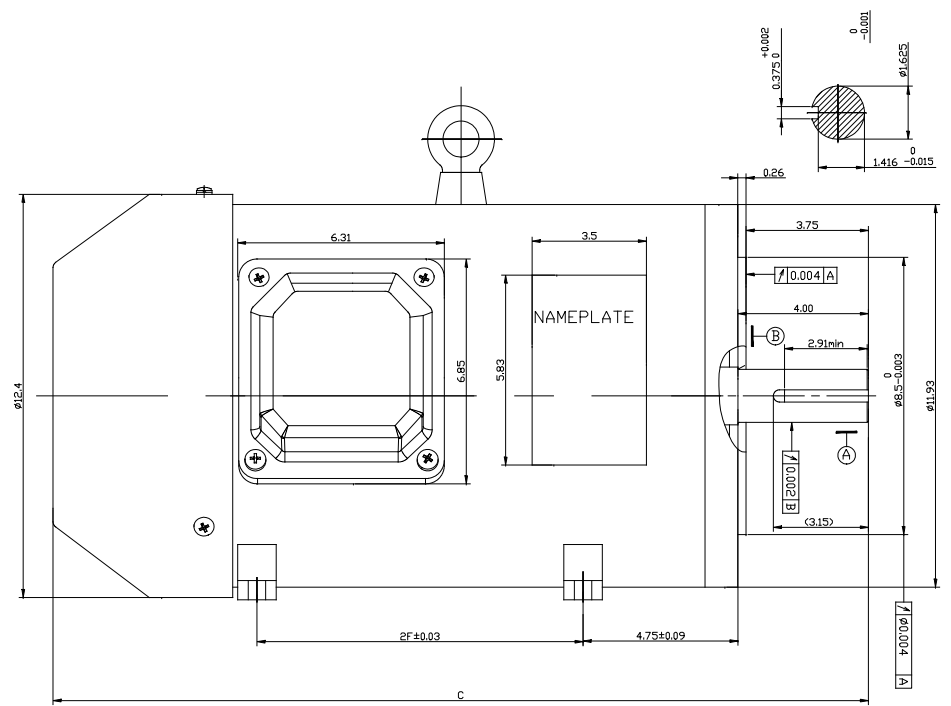
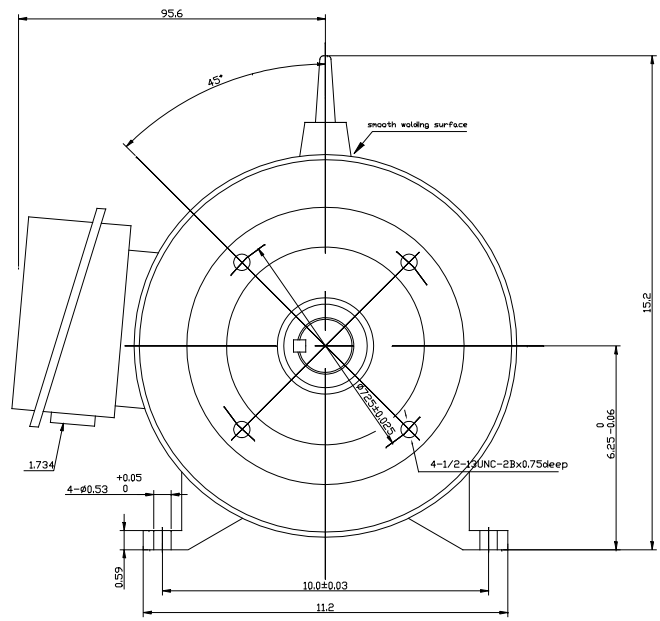
**Nameplate Specifications**

Output HP	15 Hp	Output KW	11.2 kW
Frequency	60 Hz	Voltage	208-230/460 V
Current	38.0-34.5/17.2 A	Speed	3550 rpm
Service Factor	1.15	Phase	3
Efficiency	91 %	Power Factor	90
Duty	Continuous	Insulation Class	F
Design Code	B	KVA Code	G
Frame	254TC	Enclosure	Totally Enclosed Fan Cooled
Thermal Protection	No	Ambient Temperature	40 °C
Drive End Bearing Size	6309	Opp Drive End Bearing Size	6211
UL	Recognized	CSA	Y
CE	N	IP Code	55

**Technical Specifications**

Electrical Type	Squirrel Cage Inverter Rated	Starting Method	Line Or Inverter
Poles	4	Rotation	Reversible
Mounting	Rigid base	Motor Orientation	Horizontal
Drive End Bearing	Ball	Opp Drive End Bearing	Ball
Frame Material	Stainless Steel	Shaft Type	T
Overall Length	23.65 in	Shaft Diameter	1.625 in
Shaft Extension	4 in	Assembly/Box Mounting	F1/F2 CAPABLE

This is an uncontrolled document once printed or downloaded and is subject to change without notice. Date Created:01/11/2019



LEESON PART NO.	FRAME	HP	VOLTS	Hz	RPM	MOUNTING	S.F	DUTY	ENCL.	PH	2F	C
194008.00	254TC-2	15	230/460	60	3600	RIGID+C FLANGE	1.15	CONT.	TEFC	3	8.25	23.65MAX
194009.00	254TC-4	15	230/460	60	1800	RIGID+C FLANGE	1.15	CONT.	TEFC	3	8.25	23.65MAX
194010.00	256TC-2	20	230/460	60	3600	RIGID+C FLANGE	1.15	CONT.	TEFC	3	10.0	25MAX
194011.00	256TC-4	20	230/460	60	1800	RIGID+C FLANGE	1.15	CONT.	TEFC	3	10.0	25MAX

NOTE:  
1. TO REFERENCE OF DRAWING COOY.202.703

		TOLERANCES UNLESS SPECIFIED		REGAL REGAL-BELOIT CORPORATION		DRAWN	
		DEC.	METRIC			CHK	
		X	±2.5			APPD	
		.XX	±.76	TITLE		SCALE	
B NOTE ADDED		NK	9/25/18	ST XXX ±.127		REF	
A RELEASED FOR PRODUCTION ECO-0126037		WGJ	6-27-17	EMH .XXXX ±.0127		FMF	
NO. REVISION		CHK	ANG	±1/2		PREV	
THIS DRAWING IN DESIGN AND DETAIL IS OUR PROPERTY AND MUST NOT BE USED EXCEPT IN CONNECTION WITH OUR WORK ALL RIGHTS OF DESIGN AND INVENTION ARE RESERVED THIS IS AN ELECTRONICALLY GENERATED DOCUMENT - DO NOT SCALE THIS PRINT				RFP	CAD FILE	SS620847	SIZE
				DIST		DRAWING NO.	REV.
						B	SS620847
							B