

PRODUCT INFORMATION PACKET



Model No: 444TTGN16585AA

Catalog No: 825418.00

..100HP..1200RPM.444T.EPFC.230/460V.3PH.60HZ.CONT.40C.1.0SF.RIGID.....EXPLOSION PROOF.....

Explosion Proof



Regal and Leeson are trademarks of Regal Beloit Corporation or one of its affiliated companies.

©2018 Regal Beloit Corporation, All Rights Reserved. MC017097E



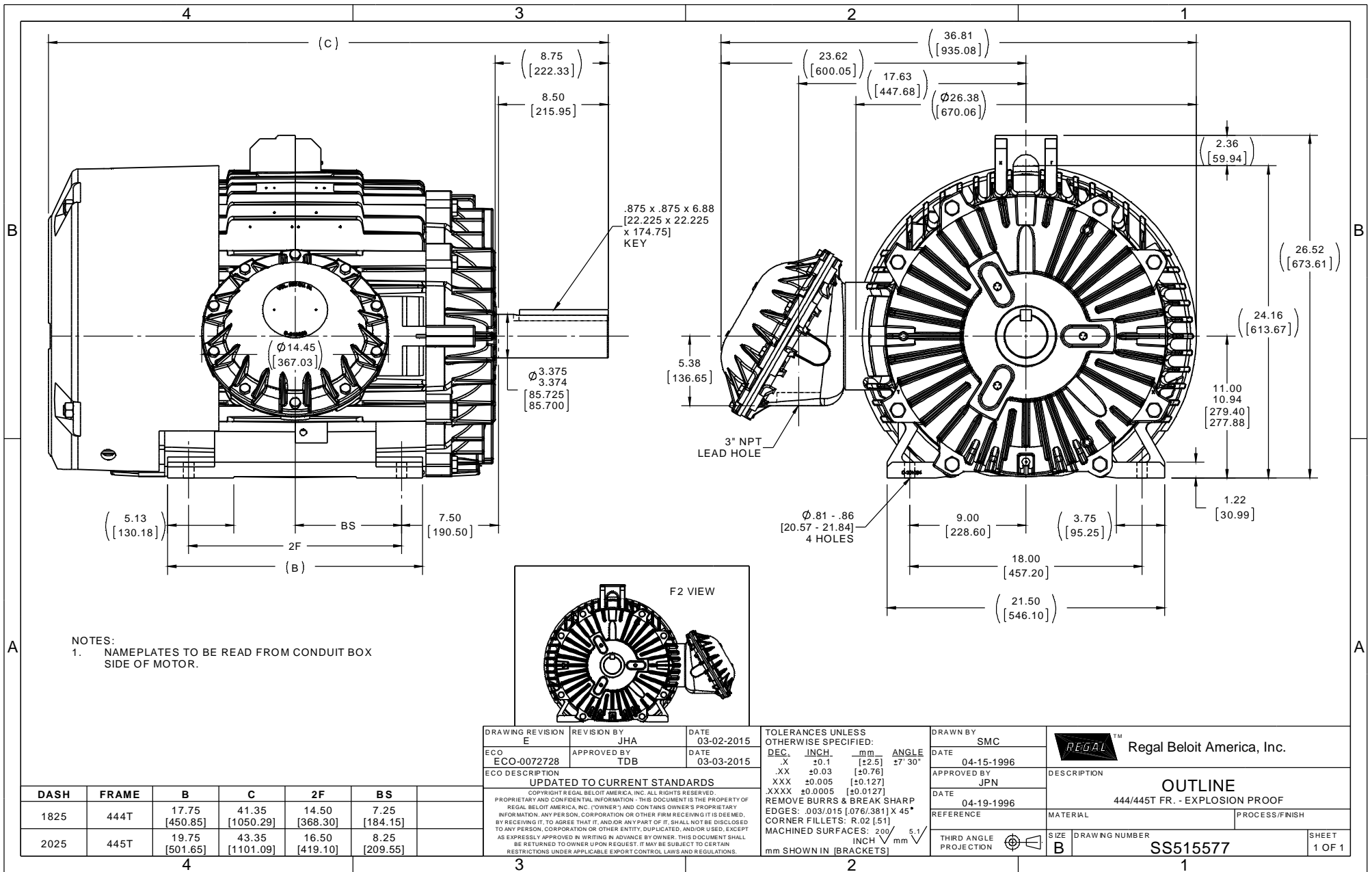


Nameplate Specifications

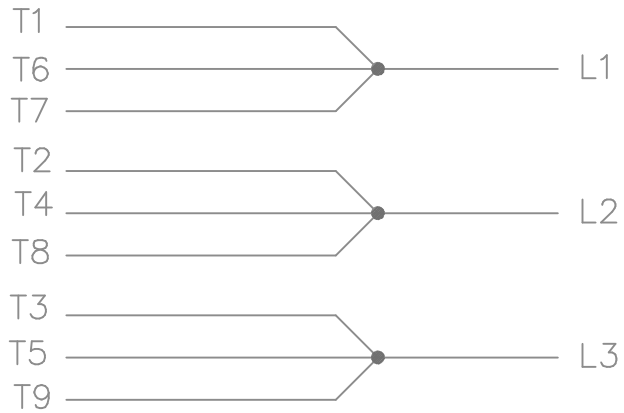
Output HP	100 Hp	Output KW	75.0 kW
Frequency	60 Hz	Voltage	230/460 V
Current	248.0/124.0 A	Speed	1188 rpm
Service Factor	1.15	Phase	3
Efficiency	95 %	Duty	Continuous
Insulation Class	F	Design Code	B
KVA Code	G	Frame	444T
Enclosure	Explosion Proof Fan cooled	Overload Protector	No
Ambient Temperature	40 °C	Drive End Bearing Size	6318
Opp Drive End Bearing Size	6316	UL	No
CSA	N	CE	N
IP Code	54		

Technical Specifications

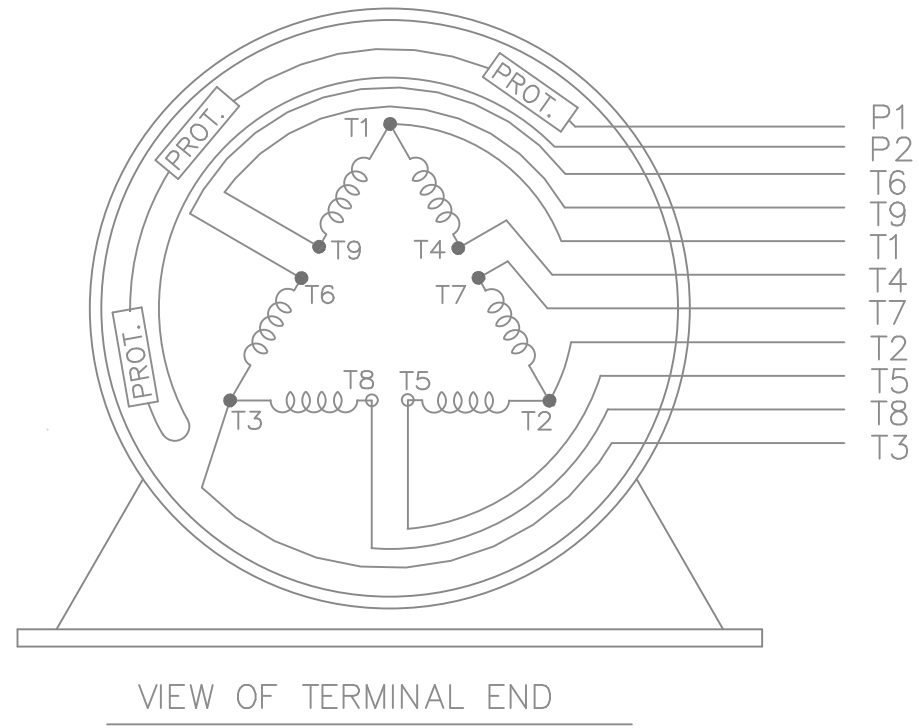
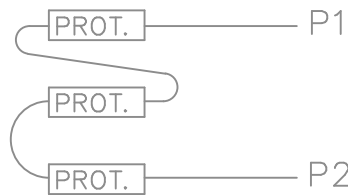
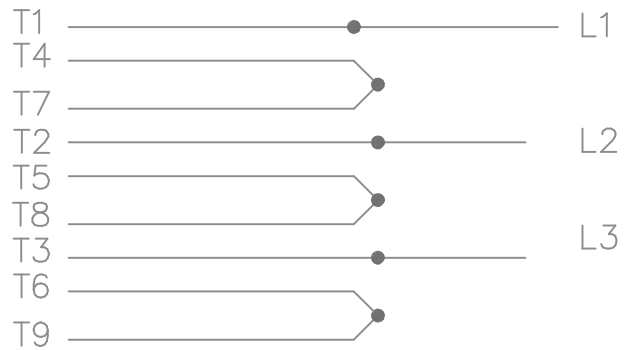
Electrical Type	Squirrel Cage Inverter Rated	Starting Method	Line Or Inverter
Poles	6	Rotation	Reversible
Mounting	Rigid base	Motor Orientation	HORIZONTAL
Drive End Bearing	BALL	Opp Drive End Bearing	BALL
Frame Material	Cast Iron	Shaft Type	T
Overall Length	41.35 in	Frame Length	18.25 in
Shaft Diameter	3.375 in	Shaft Extension	8.5 in
Assembly/Box Mounting	F1 ONLY		
Outline Drawing	B-SS515577-1825	Connection Diagram	A-EE7308AD



LOW VOLTAGE



HIGH VOLTAGE



VIEW OF TERMINAL END

WHEN MORE THAN ONE PROT. IS USED; PROT. ARE CONNECTED IN SERIES

				TOLERANCES UNLESS SPECIFIED			DRAWN MJD 12-19-1997					
				DEC.	INCHES		CHK ML 01-07-1998					
				.X	±.1	TITLE CONNECTION DIAGRAM 3φ - WITH PROTECTORS	APPD GK 01-07-1998					
				.XX	±.02		SCALE					
8	HIGH VOLT. SCHEMATIC WAS L1, L3 & L3	CN 32724	DRS 06-12-2004	ML	.XXX	±.005	REF					
7	REDRAWN ON CADD		MJD 01-07-1998		.XXXX	±.0005	FMF					
NO.	REVISION		BY & DATE	CHK	ANG	±7'30"	PREV					
THIS DRAWING IN DESIGN AND DETAIL IS OUR PROPERTY AND MUST NOT BE USED EXCEPT IN CONNECTION WITH OUR WORK ALL RIGHTS OF DESIGN AND INVENTION ARE RESERVED THIS IS AN ELECTRONICALLY GENERATED DOCUMENT - DO NOT SCALE THIS PRINT				RFP	CAD FILE ee7308ad			SIZE	DRAWING NO.	PAGE	OF	REV.
				DIST	WA-LB			A	EE7308AD			8



P.O. BOX 8003
WAUSAU, WI 54401-8003
PH. 715-675-3311

DATA VOLTS: 460

CERTIFICATION DATA SHEET

CONN. DIAGRAM: A-EET7308AD
OUTLINE: B-SS515577-1825
WINDING: T444689

CAT #: 825418.00

NONE 1

TYPICAL MOTOR PERFORMANCE DATA

HP	KW	SYNC RPM	FL RPM	FRAME	ENCLOSURE	TYPE	KVA CODE	DESIGN								
100	75	1200	1188	444T	TEFC	TFN	G	B								
PH	HZ	VOLTS	AMPS	START TYPE	DUTY	INSL	S.F.	AMB	ELEV.							
3	60/50	230/460#190/380	248/1248230/115	LINE OR INVERTER	CONT	F	1.15	40	3300							
F.L. EFF	F.L. PF	80.0	95.0	3/4 LD EFF	3/4 LD PF	95.0	1/2 LD EFF	1/2 LD PF	94.1	94.5	94.5	GTD EFF	ELECT. TYPE			
													SO CAGE INVERTED			
F.L. TORQUE	442 LB-FT	LR AMPS @ 460 V	725	750	LB-FT	170%	B.D. TORQUE	1,100 LB-FT	249%	F.L. RISE (°C)	70					
PRESSURE @ 3	72 DBA	POWER	81 DBA	ROTOR WK²	55.0 LB-FT²	1400	MAX. LOAD WK²	1400 LB-FT²	25	SAFE STALL TIME	25	SEC.	STARTS/HOUR	2	MOTOR WGT	1850 LB.

*** SUPPLEMENTAL INFORMATION ***

DE BRACKET TYPE	ODE BRACKET TYPE	MOUNT TYPE	MOTOR ORIENTATION	SEVERE DUTY	HAZARDOUS LOCATION	DRIIP COVER	SCREENS	PAINT
STANDARD	STANDARD	RIGID	HORIZONTAL	UM SEVERE	CL I GR C&D CL II GR	NO	NONE	BLUE (EPOXY)
BEARINGS	GREASE	SHAFT TYPE	SPECIAL DE	SPECIAL ODE	SHAFT	MATERIAL	FRAME MATERIAL	
DE	BALL	POLYREX EM	T	NONE	1045 HOT ROLLED (C-204)	CAST IRON		
6318	6316							
THERMOSTATS	PROTECTORS	WDG RTD's	BRG RTD's	THERMISTORS	CONTROL	SPACE HEATERS		
TSTATS (N/C)	NOT	NONE	NONE	NONE	FALSE	NA		
R1 (ohms/ph)	R2 (ohms/ph)	X1 (ohms/ph)	X2 (ohms/ph)	Xm (ohms/ph)	VIBRATION (in/sec)	FLOAT		
0.034	0.022	0.235	0.278	4.842	0.080	ODE		

* N O T E S *		INVERTER TORQUE: CONSTANT 2:1	
		INV. HP SPEED RANGE: NONE	
		ENCODER: NONE	
		BRAKE: NONE	
		FT-LB: NONE	
		VOLTAGE: NA	
		UL: VINS, CONST UL REC	

DATE:	1/29/2018	Hz:	
-------	-----------	-----	--



Motor Load Data

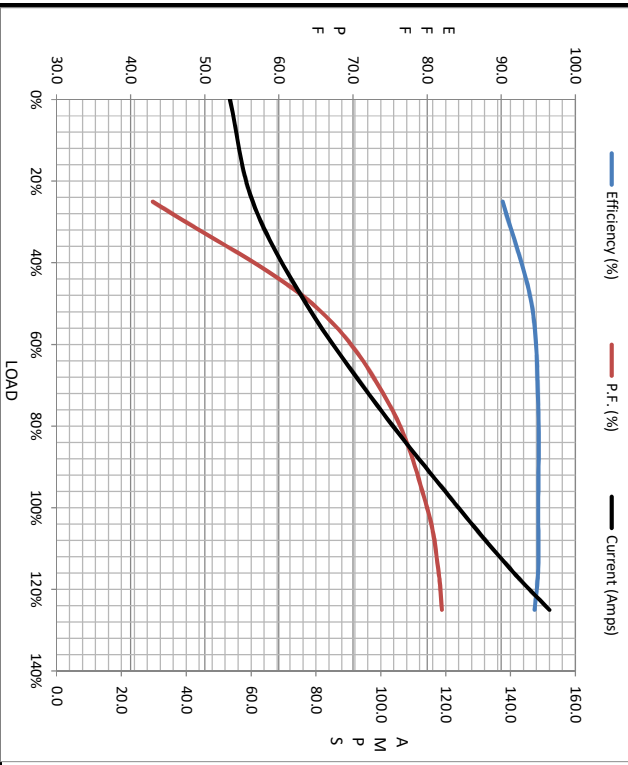
Load	0%	25%	50%	75%	100%	115%	125%	LR
Current (Amps)	53.5	60.5	77.0	99.0	124	140	152	725
Torque (ft-lb)	0.00	110	220	331	442	509	554	750
RPM	1200	1198	1195	1192	1188	1186	1184	0
Efficiency (%)		90.2	94.1	95.0	95.0	95.0	94.5	
P.F. (%)	4.0	43.0	64.5	75.0	80.0	81.5	82.0	28.0

Motor Speed Data

	LR	Pull-Up	BD	Rated	Idle
Speed (RPM)	0	600	1150	1188	1200
Current (Amps)	725	650	425	124	53.5
Torque (ft-lb)	750	600	1,100	442	0.00

Information Block

HP	100.0
Sync. RPM	1200
Frame	444
Enclosure	TEFC
Construction	TFN
Voltage	230/460#190/380 V
Frequency	60 Hz
Design	B
LR Code letter	G
Service Factor	1.15
Temp Rise @ FL	70 °C
Duty	CONT
Ambient	40 °C
Elevation	1,000 feet
Rotor/Shaft wk ²	55.0 lb-Ft ²
Ref Wdg	T444689 NONE
Sound Pressure @ 1M	72 dBA
VFD Rating	CONSTANT 2:1
Outline Dwg	B-SS515577-1825
Conn. Diag	A-EE7308AD
Additional Specifications:	
0	
EQUIV CKT (OHMS / PHASE)	
R1	R2
0.0340	0.0220
X1	X2
0.2350	0.2780
Xm	4.8420



Speed - Torque Curve

