

PRODUCT INFORMATION PACKET



Model No: 445TTGN16595AA

Catalog No: 825420.00

..150HP..1200RPM.445T.EPFC.460V.3PH.60HZ.CONT.40C.1.0SF.RIGID.....EXPLOSION PROOF.....

Explosion Proof



Regal and Leeson are trademarks of Regal Beloit Corporation or one of its affiliated companies.

©2018 Regal Beloit Corporation, All Rights Reserved. MC017097E



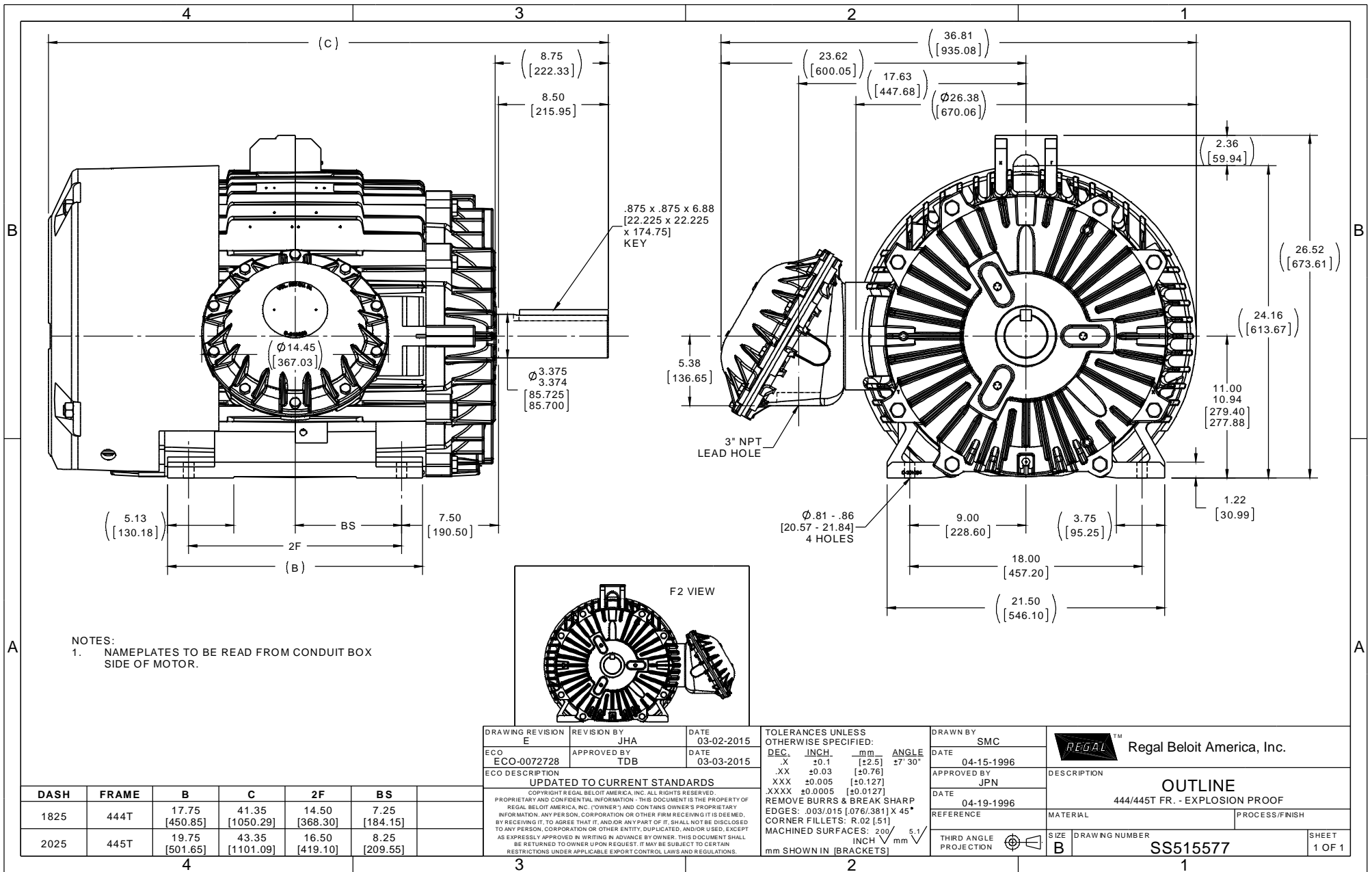


Nameplate Specifications

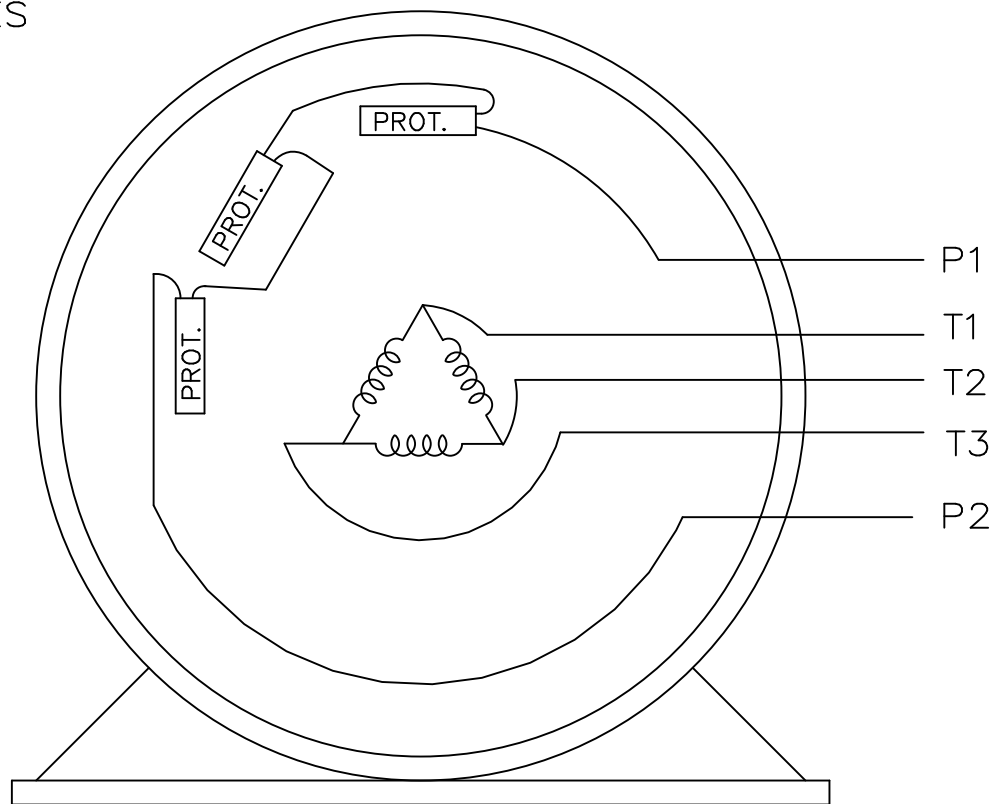
Output HP	150 Hp	Output KW	112.0 kW
Frequency	60 Hz	Voltage	460 V
Current	185.0 A	Speed	1190 rpm
Service Factor	1.15	Phase	3
Efficiency	95.8 %	Duty	Continuous
Insulation Class	F	Design Code	B
KVA Code	G	Frame	445T
Enclosure	Explosion Proof Fan cooled	Overload Protector	No
Ambient Temperature	40 °C	Drive End Bearing Size	NU318
Opp Drive End Bearing Size	6316	UL	No
CSA	N	CE	N
IP Code	54		

Technical Specifications

Electrical Type	Squirrel Cage Induction Run	Starting Method	Across The Line
Poles	6	Rotation	Reversible
Mounting	Rigid base	Motor Orientation	HORIZONTAL
Drive End Bearing	ROLLER	Opp Drive End Bearing	BALL
Frame Material	Cast Iron	Shaft Type	T
Overall Length	43.35 in	Frame Length	20.25 in
Shaft Diameter	3.375 in	Shaft Extension	8.5 in
Assembly/Box Mounting	F1 ONLY		
Outline Drawing	B-SS515577-2025	Connection Diagram	A-EE7300S-LE

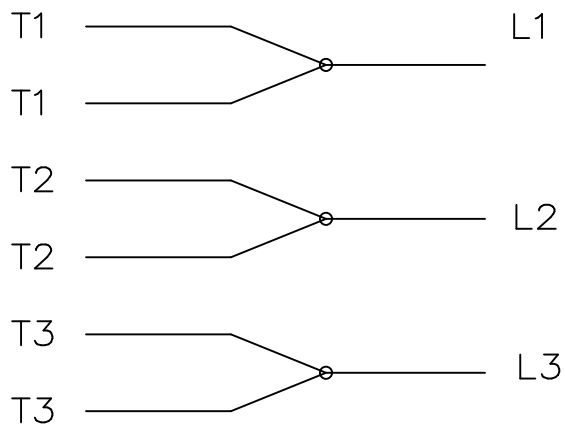


SINGLE VOLTAGE
THREE PHASE MOTOR
WITH 2 LEADS OUT FROM PROTECTORS
PROTECTORS CONNECTED IN SERIES




VIEW OF TERMINAL END

IF MOTOR HAS
6 LEADS



A-9806 DECAL

				TOLERANCES UNLESS SPECIFIED		 ELECTRIC MOTORS GEARMOTORS AND DRIVES	DRAWN DRS 01-21-2003				
				DEC.	INCHES		CHK	ML 01-21-2003			
				.X	± -		APPD	TB 01-21-2003			
				.XX	± -		SCALE	1=1			
				.XXX	± -		REF				
1	NEW DRAWING CN 36098	DRS 01-21-2003	TB	.XXXX	± -	TITLE CONNECTION DIAGRAM 3Ø - SINGLE VOLTAGE	FMF				
NO.	REVISION	BY & DATE	CHK	ANG	± -	FINISH	PREV				
THIS DRAWING IN DESIGN AND DETAIL IS OUR PROPERTY AND MUST NOT BE USED EXCEPT IN CONNECTION WITH OUR WORK ALL RIGHTS OF DESIGN AND INVENTION ARE RESERVED THIS IS AN ELECTRONICALLY GENERATED DOCUMENT - DO NOT SCALE THIS PRINT				RFP		CAD FILE EE7300S-	SIZE	DRAWING NO.	PAGE	OF	REV.
				DIST	LB		A	EE7300S-LE			1



P.O. BOX 8003
WAUSAU, WI 54401-8003
PH. 715-675-3311

DATA VOLTS: 460

CERTIFICATION DATA SHEET

CONN. DIAGRAM: A-EET7300S-LE
OUTLINE: B-SS515577-2025
WINDING: T4456177

CAT #: 825420.00

NONE 1

TYPICAL MOTOR PERFORMANCE DATA

HP	KW	SYNC RPM	FL RPM	FRAME	ENCLOSURE	TYPE	KVA CODE	DESIGN	
150	112	1200	1190	445T	TEFC	TFN	G	B	
PH	HZ	VOLTS	AMPS	START TYPE	DUTY	INSL	S.F.	AMB	ELEV.
3	60/50	460#380	185&185	ACROSS THE LINE	CONT	F	1.15	40	3300
F.L. EFF	F.L. PF	3/4 LD EFF	3/4 LD PF	95.8	1/2 LD EFF	95.0	GTD EFF	95.4	ELECT. TYPE
95.8	80.0	3/4 LD PF	75.0	95.8	1/2 LD PF	64.0	95.4		SO CAGE IND RUN
F.L. TORQUE	LR AMPS @ 460 V	L.R. TORQUE	B.D. TORQUE	F.L. RISE (°C)					
662 LB-FT	1,085	1,050 LB-FT	159%	1,700 LB-FT	257%	70			
PRESSURE @ 3	POWER	ROTOR WK²	MAX. LOAD WK²	SAFE STALL TIME	STARTS/HOUR	MOTOR WGT			
72 DBA	81 DBA	91.0 LB-FT²	2350 LB-FT²	25 SEC.	2	2550 LB.			

*** SUPPLEMENTAL INFORMATION ***

DE BRACKET TYPE	ODE BRACKET TYPE	MOUNT TYPE	MOTOR ORIENTATION	SEVERE DUTY	HAZARDOUS LOCATION	DRIP COVER	SCREENS	PAINT
STANDARD	STANDARD	RIGID	HORIZONTAL	UM SEVERE/F CL I GR C&D CL II GR		NO	NONE	BLUE (EPOXY)
BEARINGS	GREASE	SHAFT TYPE	SPECIAL DE	SPECIAL ODE	SHAFT	MATERIAL	FRAME MATERIAL	
ROLLER BALL NU318	POLYREX EM 6316	T	NONE		1045 HOT ROLLED (C-204)		CAST IRON	

THERMOSTATS	PROTECTORS	WDG RTD's	BRG RTD's	THERMISTORS	CONTROL	SPACE HEATERS
TSTATS (N/C)	NOT	NONE	NONE	NONE	FALSE	NA
R1 (ohms/ph)	R2 (ohms/ph)	X1 (ohms/ph)	X2 (ohms/ph)	Xm (ohms/ph)	VIBRATION (in/sec)	FLOAT
0.016	0.012	0.161	0.174	3.26	0.080	NONE

* N O T E S *		INVERTER TORQUE: NONE	
		INV. HP SPEED RANGE: NONE	
		ENCODER: NONE	
		BRAKE: NONE	
		NONE	
		NONE PPR	

DATE: 1/24/2018	FT-LB: NA	NONE	HZ: NA
	VOLTAGE: NONE	NONE	
	UI: NONE		



Motor Load Data								
Load	0%	25%	50%	75%	100%	115%	125%	LR
Current (Amps)	80.0	90.0	115	148	185	208	225	1,085
Torque (ft-lb)	0.00	165	330	495	662	760	825	1,050
RPM	1200	1198	1196	1194	1190	1,188	1,186	0
Efficiency (%)		91.7	95.0	95.8	95.8	95.8	95.4	
P.F. (%)	3.5	43.0	64.0	75.0	80.0	81.0	82.0	28.0

Motor Speed Data					Information Block					
	LR	Pull-Up	BD	Rated	Idle	HP	Sync. RPM	Frame	Enclosure	Construction
Speed (RPM)	0	600	1150	1190	1200	150.0	1200	445	TEFC	TFN
Current (Amps)	1,085	975	650	185	80.0					
Torque (ft-lb)	1,050	1,025	1,700	662	0.00					
Voltage	460#380 V									
Frequency	60 Hz									
Design	B									
LR Code letter	G									
Service Factor	1.15									
Temp Rise @ FL	70 °C									
Duty	CONT									
Ambient	40 °C									
Elevation	1,000 feet									
Rotor/Shaft wk ²	91.0 LB-Ft ²									
Ref Wdg	T4456177 NONE									
Sound Pressure @ 1M	72 dBA									
VFD Rating	NONE									
Outline Dwg	B-SS515577-2025									
Conn. Diag	A-EE7300S-1E									
Additional Specifications:	EQUIV CKT (OHMS / PHASE)									
	R1	R2	X1	X2	Xm					
	0.0160	0.0120	0.1610	0.1740	3.2600					

