

# PRODUCT INFORMATION PACKET



Model No: 449TTGS16598AA

Catalog No: 825421.00

..200HP..1200RPM.449T.EPFC.460V.3PH.60HZ.CONT.40C.1.0SF.RIGID.....EXPLOSION PROOF.....

Explosion Proof



Regal and Leeson are trademarks of Regal Beloit Corporation or one of its affiliated companies.

©2018 Regal Beloit Corporation, All Rights Reserved. MC017097E



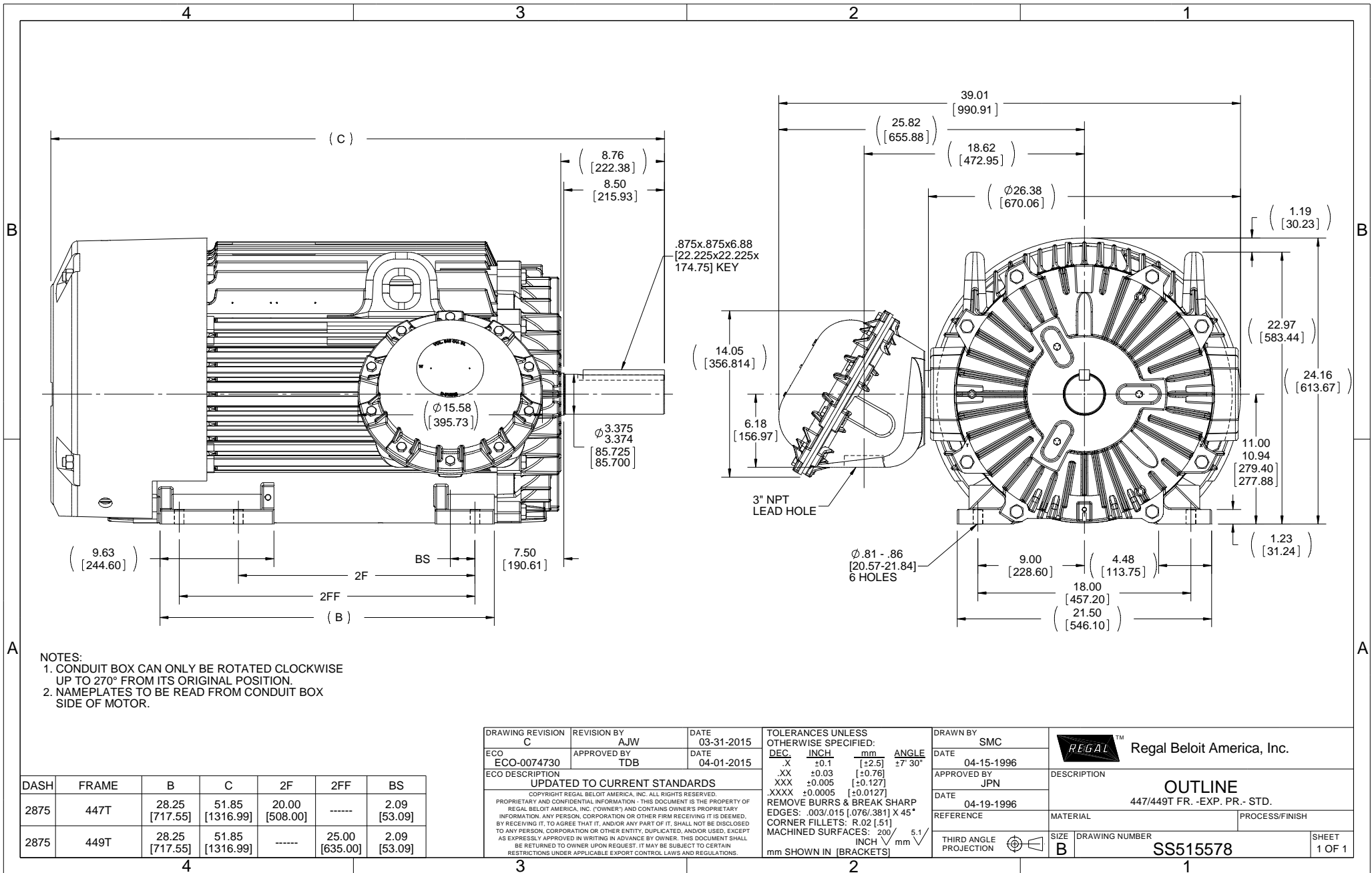


### Nameplate Specifications

Output HP	<b>200 Hp</b>	Output KW	<b>149.0 kW</b>
Frequency	<b>60 Hz</b>	Voltage	<b>460 V</b>
Current	<b>240.0 A</b>	Speed	<b>1190 rpm</b>
Service Factor	<b>1.15</b>	Phase	<b>3</b>
Efficiency	<b>95.8 %</b>	Duty	<b>Continuous</b>
Insulation Class	<b>F</b>	Design Code	<b>B</b>
KVA Code	<b>G</b>	Frame	<b>447/449T</b>
Enclosure	<b>Explosion Proof Fan cooled</b>	Overload Protector	<b>No</b>
Ambient Temperature	<b>40 °C</b>	Drive End Bearing Size	<b>NU319</b>
Opp Drive End Bearing Size	<b>6318</b>	UL	<b>No</b>
CSA	<b>N</b>	CE	<b>N</b>
IP Code	<b>54</b>		

### Technical Specifications

Electrical Type	<b>Squirrel Cage Inverter Rated</b>	Starting Method	<b>Line Or Inverter</b>
Poles	<b>6</b>	Rotation	<b>Reversible</b>
Mounting	<b>Rigid base</b>	Motor Orientation	<b>HORIZONTAL</b>
Drive End Bearing	<b>ROLLER</b>	Opp Drive End Bearing	<b>BALL</b>
Frame Material	<b>Cast Iron</b>	Shaft Type	<b>T</b>
Overall Length	<b>51.85 in</b>	Frame Length	<b>28.75 in</b>
Shaft Diameter	<b>3.375 in</b>	Shaft Extension	<b>8.81 in</b>
Assembly/Box Mounting	<b>F1 ONLY</b>		
Outline Drawing	<b>B-SS515578-2875</b>	Connection Diagram	<b>A-EE7300S-LE</b>



- NOTES:  
 1. CONDUIT BOX CAN ONLY BE ROTATED CLOCKWISE UP TO 270° FROM ITS ORIGINAL POSITION.  
 2. NAMEPLATES TO BE READ FROM CONDUIT BOX SIDE OF MOTOR.

DASH	FRAME	B	C	2F	2FF	BS
2875	447T	28.25 [717.55]	51.85 [1316.99]	20.00 [508.00]	-----	2.09 [53.09]
2875	449T	28.25 [717.55]	51.85 [1316.99]	-----	25.00 [635.00]	2.09 [53.09]

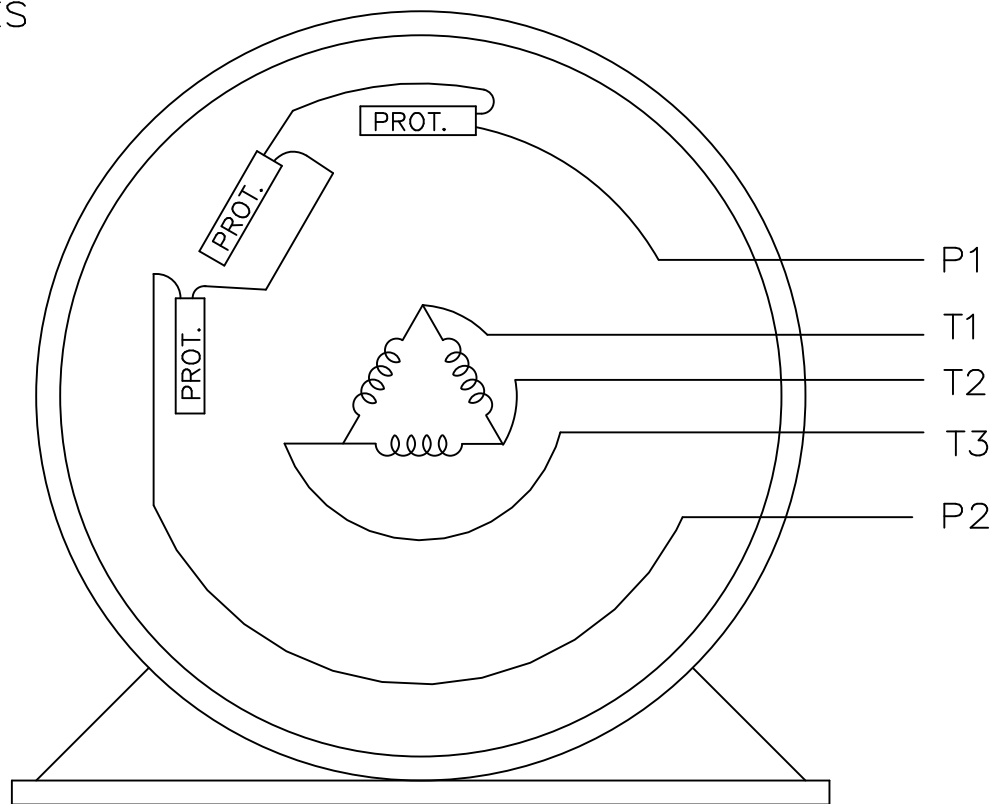
DRAWING REVISION C	REVISION BY AJW	DATE 03-31-2015
ECO-0074730	APPROVED BY TDB	DATE 04-01-2015
ECO DESCRIPTION UPDATED TO CURRENT STANDARDS		
<small>COPYRIGHT REGAL BELOIT AMERICA, INC. ALL RIGHTS RESERVED.          PROPRIETARY AND CONFIDENTIAL INFORMATION - THIS DOCUMENT IS THE PROPERTY OF          REGAL BELOIT AMERICA, INC. (OWNER) AND CONTAINS OWNER'S PROPRIETARY          INFORMATION. ANY PERSON, CORPORATION OR OTHER FIRM RECEIVING IT IS DEEMED,          BY RECEIVING IT, TO AGREE THAT IT, AND/OR ANY PART OF IT, SHALL NOT BE DISCLOSED          TO ANY PERSON, CORPORATION OR OTHER ENTITY, DUPLICATED, AND/OR USED, EXCEPT          AS EXPRESSLY APPROVED IN WRITING IN ADVANCE BY OWNER. THIS DOCUMENT SHALL          BE RETURNED TO OWNER UPON REQUEST. IT MAY BE SUBJECT TO CERTAIN          RESTRICTIONS UNDER APPLICABLE EXPORT CONTROL LAWS AND REGULATIONS.</small>		

TOLERANCES UNLESS OTHERWISE SPECIFIED:			
DEC	INCH	mm	ANGLE
.X	+0.1	[+2.5]	±7° 30'
.XX	±0.03	[±0.76]	
.XXX	±0.005	[±0.127]	
.XXXX	±0.0005	[±0.0127]	
REMOVE BURRS & BREAK SHARP EDGES: .003/.015 [.076/.381] X 45°			
CORNER FILLETS: R.02 [.51]			
MACHINED SURFACES: 200 INCH 5.1 mm			
mm SHOWN IN [BRACKETS]			

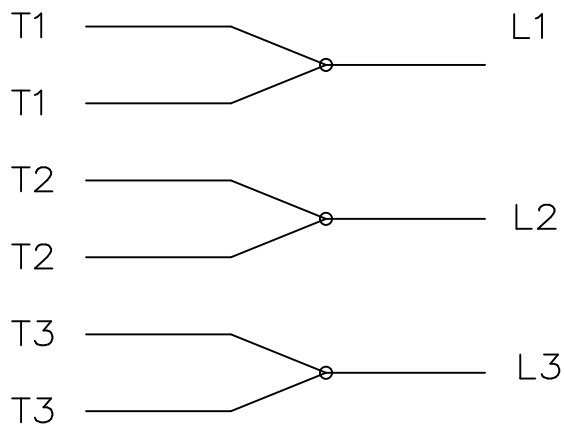
DRAWN BY SMC
DATE 04-15-1996
APPROVED BY JPN
DATE 04-19-1996
REFERENCE

Regal Beloit America, Inc.	
DESCRIPTION <b>OUTLINE</b> 447/449T FR. -EXP. PR.- STD.	
MATERIAL	PROCESS/FINISH
THIRD ANGLE PROJECTION	SIZE B
DRAWING NUMBER <b>SS515578</b>	SHEET 1 OF 1

SINGLE VOLTAGE  
THREE PHASE MOTOR  
WITH 2 LEADS OUT FROM PROTECTORS  
PROTECTORS CONNECTED IN SERIES




IF MOTOR HAS  
6 LEADS



A-9806 DECAL

VIEW OF TERMINAL END

				TOLERANCES UNLESS SPECIFIED		 ELECTRIC MOTORS GEARMOTORS AND DRIVES	DRAWN DRS 01-21-2003			
				DEC.	INCHES		CHK	ML 01-21-2003		
				.X	± -			APPD TB 01-21-2003		
				.XX	± -		TITLE CONNECTION DIAGRAM			
				.XXX	± -		3∅ - SINGLE VOLTAGE			
1	NEW DRAWING CN 36098	DRS 01-21-2003	TB	.XXXX	± -	MAT'L.	SCALE 1=1			
NO.	REVISION	BY & DATE	CHK	ANG	± -	FINISH	REF			
THIS DRAWING IN DESIGN AND DETAIL IS OUR PROPERTY AND MUST NOT BE USED EXCEPT IN CONNECTION WITH OUR WORK ALL RIGHTS OF DESIGN AND INVENTION ARE RESERVED THIS IS AN ELECTRONICALLY GENERATED DOCUMENT - DO NOT SCALE THIS PRINT				RFP		CAD FILE EE7300S-	SIZE A	DRAWING NO. EE7300S-LE	PAGE OF 1	REV. 1
				DIST LB						



P.O. BOX 8003  
WAUSAU, WI 54401-8003  
PH. 715-675-3311

DATA VOLTS: 460

CERTIFICATION DATA SHEET

CONN. DIAGRAM: A-EET7300S-LE  
OUTLINE: B-SS515578-2875  
WINDING: T449627

R4 3

CAT #: 825421.00

TYPICAL MOTOR PERFORMANCE DATA

HP	KW	SYNC RPM	FL RPM	FRAME	ENCLOSURE	TYPE	KVA CODE	DESIGN		
200	149	1200	1190	447/449T	TEFC	TFN	G	B		
PH	HZ	VOLTS	AMPS	START TYPE	DUTY	INSL	S.F.	AMB	ELEV.	
3	60/50	460#380	2408/220	LINE OR INVERTER	CONT	F	1.15	40	3300	
F.L. EFF	F.L. PF	3/4 LD EFF	3/4 LD PF	95.8	1/2 LD EFF	1/2 LD PF	94.5	GTD EFF	95.4	ELECT. TYPE
				78.0			70.0			SO CAGE INVERTED
F.L. TORQUE	LR AMPS @ 460 V	L.R. TORQUE	B.D. TORQUE	F.L. RISE (°C)						
883 LB-FT	1,450	1,325 LB-FT	150%	2,100 LB-FT	238%	65				
PRESSURE @ 3	POWER	ROTOR WK²	MAX. LOAD WK²	SAFE STALL TIME	STARTS/HOUR	MOTOR WGT				
75 DBA	84 DBA	115 LB-FT²	2700 LB-FT²	25 SEC.	0	2850 LB.				

\*\*\* SUPPLEMENTAL INFORMATION \*\*\*

DE BRACKET TYPE	ODE BRACKET TYPE	MOUNT TYPE	MOTOR ORIENTATION	SEVERE DUTY	HAZARDOUS LOCATION	DRIIP COVER	SCREENS	PAINT
STANDARD	STANDARD	RIGID	HORIZONTAL	UM SEVERE/F CL I GR C&D CL II GR		NO	NONE	BLUE (EPOXY)
BEARINGS	GREASE	SHAFT TYPE	SPECIAL DE	SPECIAL ODE	SHAFT	MATERIAL	FRAME MATERIAL	
ROLLER BALL NU319	POLYREX EM 6318	T	NONE		4140 STRESSPROOF (C-214)		CAST IRON	

THERMOSTATS	PROTECTORS	WDG RTD's	BRG RTD's	THERMISTORS	CONTROL	SPACE HEATERS
TSTATS (N/C)	NOT	NONE	NONE	NONE	FALSE	NA
R1 (ohms/ph)	R2 (ohms/ph)	X1 (ohms/ph)	X2 (ohms/ph)	Xm (ohms/ph)	VIBRATION (in/sec)	FLOAT
0.01	0.01	0.125	0.16	2.741	0.080	NONE

* N O T E S *		INVERTER TORQUE: CONSTANT 10:1	
		INV. HP SPEED RANGE: NONE	
		ENCODER: NONE	
		BRAKE: NONE	
		NONE PPR	

DATE: 1/19/2018	FT-LB: NA	NONE	HZ:
	VOLTAGE: NONE	NONE	
	UI: NONE		



Motor Load Data

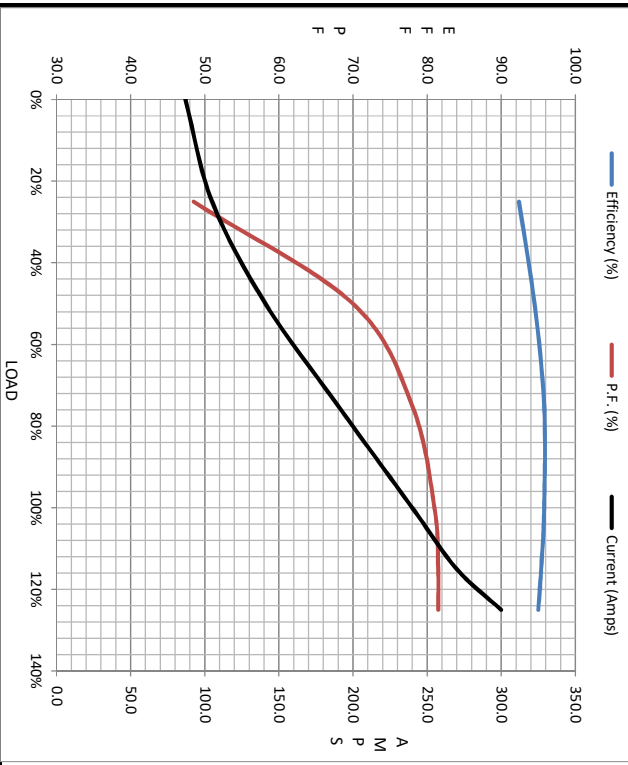
Load	0%	25%	50%	75%	100%	115%	125%	LR
Current (Amps)	87.0	105	141	190	240	270	300	1,450
Torque (ft-lb)	0.00	220	440	661	883	995	1,108	1,325
RPM	1200	1196	1194	1192	1190	1,188	1,186	0
Efficiency (%)		92.4	94.5	95.8	95.8	95.4	95.0	
P.F. (%)	4.0	48.5	70.0	78.0	81.0	81.5	81.5	25.5

Motor Speed Data

	LR	Pull-Up	BD	Rated	Idle
Speed (RPM)	0	600	1075	1190	1200
Current (Amps)	1,450	1,350	825	240	87.0
Torque (ft-lb)	1,325	1,300	2,100	883	0.00

Information Block

HP	200.0
Sync. RPM	1200
Frame	449
Enclosure	TEFC
Construction	TFN
Voltage	460#380 V
Frequency	60 Hz
Design	B
LR Code letter	G
Service Factor	1.15
Temp Rise @ FL	65 °C
Duty	CONT
Ambient	40 °C
Elevation	1,000 feet
Rotor/Shaft wk <sup>2</sup>	115 LB-Ft <sup>2</sup>
Ref Wdg	T449627 R4
Sound Pressure @ 1M	75 dBA
VFD Rating	CONSTANT 10:1
Outline Dwg	B-SS515578-2875
Conn. Diag	A-EE7300S-1E
Additional Specifications:	
0	
EQUIV CKT (OHMS / PHASE)	
R1	R2
0.0100	0.0100
X1	X2
0.1250	0.1600
Xm	Xm
	2.7410



Speed -Torque Curve

