

PRODUCT INFORMATION PACKET



Model No: B199721.00
Catalog No: B199721.00
75 HP General Purpose Motor, 3 phase, 1200 RPM, 230/460 V, 405T Frame, ODP
Three Phase ODP Motors



Regal and Leeson are trademarks of Regal Beloit Corporation or one of its affiliated companies.
©2019 Regal Beloit Corporation, All Rights Reserved. MC017097E





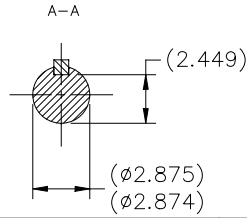
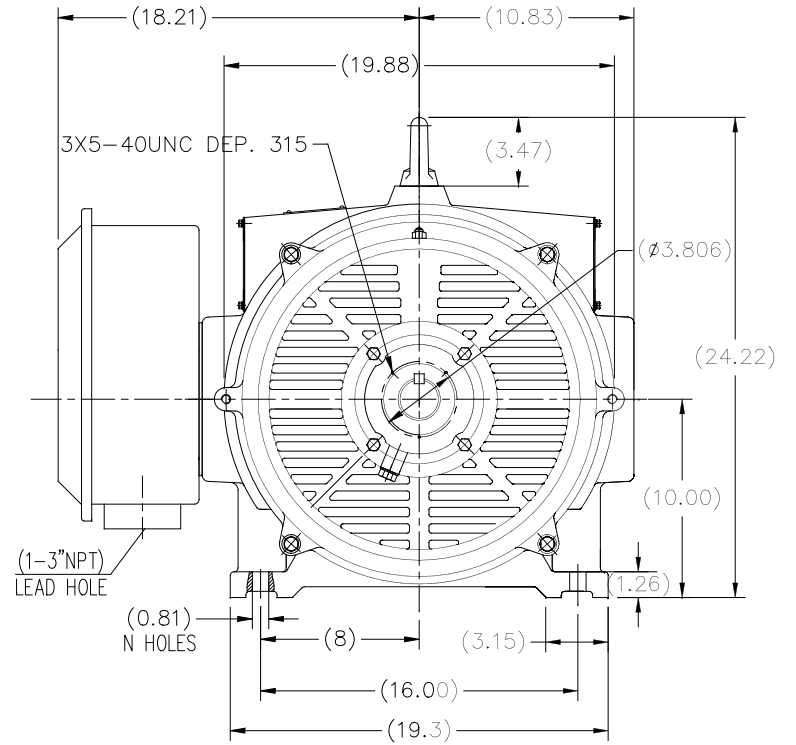
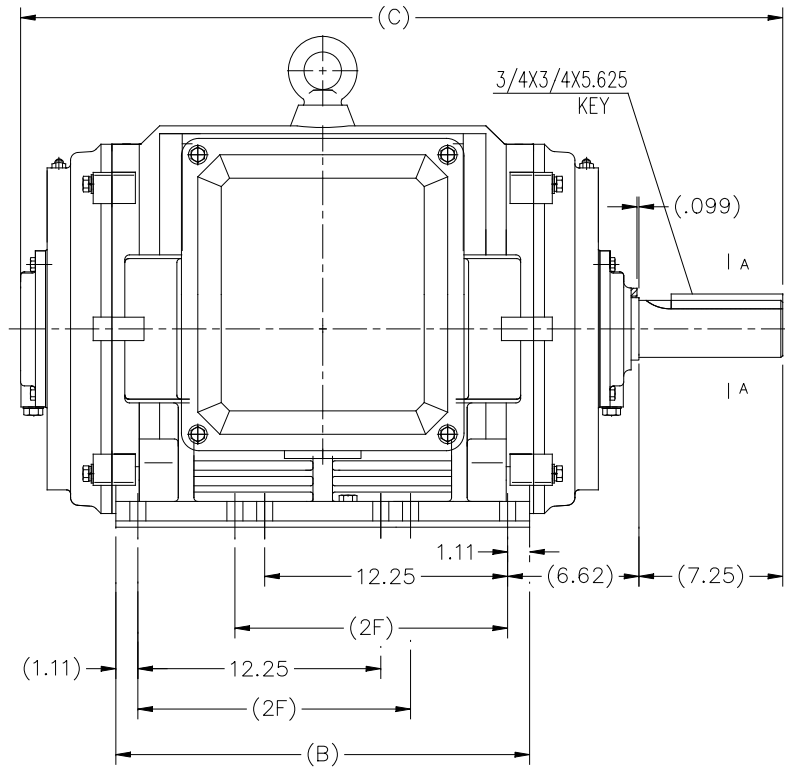
Nameplate Specifications

Output HP	75 Hp	Output KW	56.0 kW
Frequency	60 Hz	Voltage	230/460 V
Current	174.0/87.0 A	Speed	1188 rpm
Service Factor	1.15	Phase	3
Efficiency	94.5 %	Power Factor	85
Duty	Continuous	Insulation Class	F
Design Code	B	KVA Code	F
Frame	405T	Enclosure	Drip Proof
Thermal Protection	No	Ambient Temperature	40 °C
Drive End Bearing Size	6316	Opp Drive End Bearing Size	6315
UL	Recognized	CSA	Y
CE	Y	IP Code	22

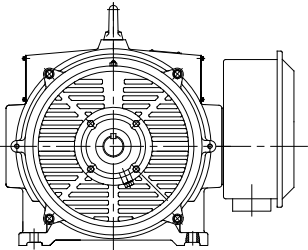
Technical Specifications

Electrical Type	Squirrel Cage Inverter Rated	Starting Method	Wye Start Delta Run Or Inverter
Poles	6	Rotation	Reversible
Resistance Main	.107 Ohms	Mounting	Rigid base
Motor Orientation	Horizontal	Drive End Bearing	Ball
Opp Drive End Bearing	Ball	Frame Material	Cast Iron
Shaft Type	T	Overall Length	38.78 in
Frame Length	21.25 in	Shaft Diameter	2.875 in
Shaft Extension	7.25 in	Assembly/Box Mounting	F1/F2 CAPABLE

This is an uncontrolled document once printed or downloaded and is subject to change without notice. Date Created:01/11/2019



F2 MOUNTING



404T	37.20	19.29	N/A	8 HOLES
405T	38.78	20.87	13.75	12 HOLES
Frame	C	B	2F	N HOLES

TOLERANCES UNLESS SPECIFIED		REGAL REGAL-BELOIT CORPORATION		DRAWN WY 07-21-2016
DEC.	INCHES	CHK	APPD	CHK
.X	±.1			
.XX	±.03			
.XXX	±.005			
.XXXX	±.0005			
NO.	REVISION	BY & DATE	CHK	ANG
			RFP	±7'30"
THIS DRAWING IN DESIGN AND DETAIL IS OUR PROPERTY AND MUST NOT BE USED EXCEPT IN CONNECTION WITH OUR WORK ALL RIGHTS OF DESIGN AND INVENTION ARE RESERVED THIS IS AN ELECTRONICALLY GENERATED DOCUMENT - DO NOT SCALE THIS PRINT		FINISH	CAD FILE SS620754	SIZE B
				DRAWING NO. SS620754
				PAGE 1 OF 1
				REV. B



LOW VOLTAGE



HIGH VOLTAGE



VIEW OF TERMINAL END

DRAWING REVISION K	REVISION BY AJW	DATE 07-17-2015
ECO ECO-0081632	APPROVED BY T. VUE	DATE 07-17-2015
ECO DESCRIPTION REV'D IEC MARKINGS PER IEC 60034-8		
<small>COPYRIGHT REGAL BELOIT AMERICA, INC. ALL RIGHTS RESERVED. PROPRIETARY AND CONFIDENTIAL INFORMATION - THIS DOCUMENT IS THE PROPERTY OF REGAL BELOIT AMERICA, INC. ("OWNER") AND CONTAINS OWNER'S PROPRIETARY INFORMATION. ANY PERSON, CORPORATION OR OTHER FIRM RECEIVING IT IS DEEMED, BY RECEIVING IT, TO AGREE THAT IT, AND/OR ANY PART OF IT, SHALL NOT BE DISCLOSED TO ANY PERSON, CORPORATION OR OTHER ENTITY, DUPLICATED, AND/OR USED, EXCEPT AS EXPRESSLY APPROVED IN WRITING IN ADVANCE BY OWNER. THIS DOCUMENT SHALL BE RETURNED TO OWNER UPON REQUEST. IT MAY BE SUBJECT TO CERTAIN RESTRICTIONS UNDER APPLICABLE EXPORT CONTROL LAWS AND REGULATIONS.</small>		



DRAWN BY LZ	Regal Beloit America, Inc.	
DATE 01-12-1994		
APPROVED BY GK	DESCRIPTION CONN DIAGRAM-EXTERNAL 3Ø-2/1 DELTA-12 LEADS	
DATE 01-14-1994		
REFERENCE	MATERIAL	PROCESS/FINISH
THIRD ANGLE PROJECTION	SIZE A	DRAWING NUMBER EE7308AA
		SHEET 1 OF 1