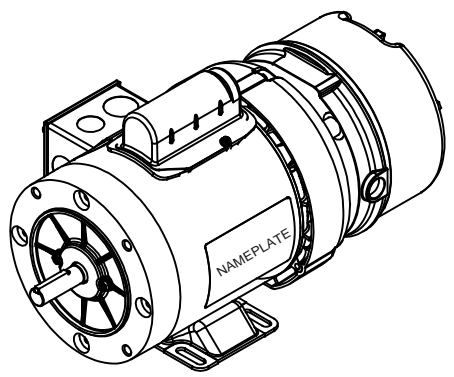
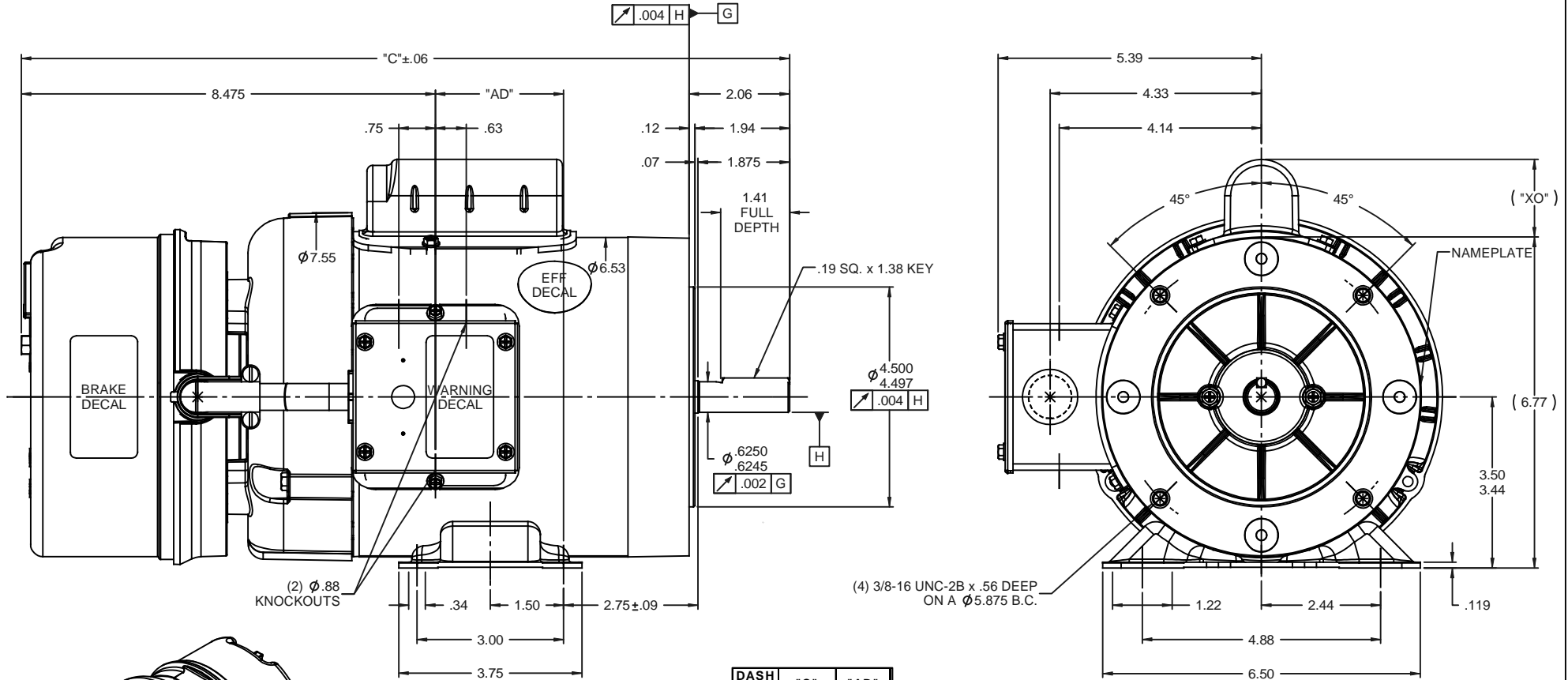


RBC PROPRIETARY AND CONFIDENTIAL INFORMATION
 This document is the property of REGAL BELOIT CORPORATION ("RBC") including its subsidiaries and divisions and contains proprietary information of RBC. This document is loaned on the express condition that neither it nor the information contained therein shall be disclosed to others without the express written consent of RBC, and that the information shall be used by the recipient only as approved expressly by RBC. This document shall be returned to RBC upon its request. This document may be subject to certain restrictions under U.S. export control laws and regulations.



(4) 3/8-16 UNC-2B x .56 DEEP ON A φ5.875 B.C.

DASH NO.	"C"	"AD"	CAP DASH	"XO"
550	15.73	2.73	A	1.61
600	16.23	3.23	B	2.08
650	16.73	3.73	C	2.32
700	17.23	4.23		
750	17.73	4.73		

NOTE:
1) GASKETS THROUGHOUT

REVISION		BY & DATE	CHK	ANG	±1/2°	FINISH	SIZE	DRAWING NO	REV
THIRD ANGLE PROJECTION			RFP	12/18/08	PREV		B	028933	

TOLERANCES UNLESS SPECIFIED	DEC	INCHES	TITLE	OUTLINE - 56 FRAME	DRAWN	GRB 12/18/08
x	±.1		TEFC - BRAKEMOTOR <td>REF <td>DJ 12/18/08 <td></td> </td></td>	REF <td>DJ 12/18/08 <td></td> </td>	DJ 12/18/08 <td></td>	
xx	±.03			SCALE <td>1:2</td> <td></td>	1:2	
xxx	±.005			REF <td>033097</td> <td></td>	033097	
xxxx	±.0005			FMF <td>111950.00</td> <td></td>	111950.00	
NO			PAGE		1	OF 1



**ELECTRIC MOTORS
GEARMOTORS
AND DRIVES**