

# PRODUCT INFORMATION PACKET



Model No: C4C17DC9J

Catalog No: 100025.00

Obsolete in the US, replaced by E100025.00 ..1/2HP..1725RPM.S56.DP.115/208-230V.1PH.60HZ.CONT.40C.1.25SF.ROUND.C4C17DC9J.....GENERAL PURPOSE.NOT.....

Open Drip Proof (ODP)



Regal and Leeson are trademarks of Regal Beloit Corporation or one of its affiliated companies.

©2018 Regal Beloit Corporation, All Rights Reserved. MC017097E



Product Information Packet: Model No: C4C17DC9J, Catalog No:100025.00 Obsolete in the US, replaced by E100025.00 ..1/2HP..1725RPM.S56.DP.115/208-230V.1PH.60HZ.CONT.40C.1.25SF.ROUND.C4C17DC9J.....GENERAL PURPOSE.NOT.....



### Nameplate Specifications

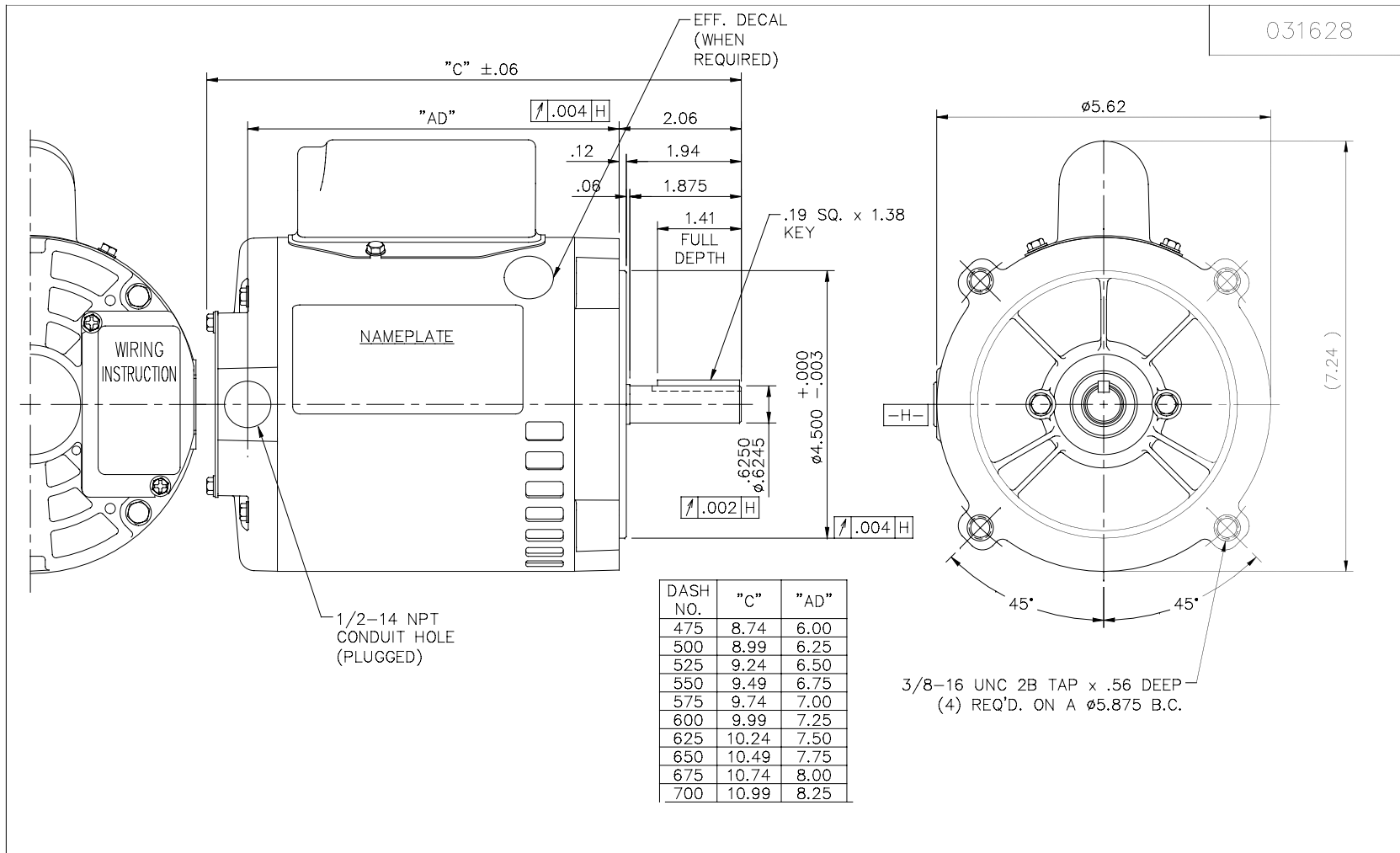
Output HP	<b>0.50 Hp</b>	Output KW	<b>0.37 kW</b>
Frequency	<b>60 Hz</b>	Voltage	<b>115/208-230 V</b>
Current	<b>8.8/4.0-4.4 A</b>	Speed	<b>1725 rpm</b>
Service Factor	<b>1.25</b>	Phase	<b>1</b>
Efficiency	<b>62 %</b>	Duty	<b>Continuous</b>
Insulation Class	<b>B</b>	Design Code	<b>N</b>
KVA Code	<b>K</b>	Frame	<b>S56C</b>
Enclosure	<b>Drip Proof</b>	Overload Protector	<b>No</b>
Ambient Temperature	<b>40 °C</b>	Drive End Bearing Size	<b>6203</b>
Opp Drive End Bearing Size	<b>6203</b>	UL	<b>Recognized</b>
CSA	<b>Y</b>	CE	<b>N</b>
IP Code	<b>22</b>		

### Technical Specifications

Electrical Type	<b>Capacitor Start Induction Run</b>	Starting Method	<b>Across The Line</b>
Poles	<b>4</b>	Rotation	<b>Selective Counterclockwise</b>
Mounting	<b>Round</b>	Motor Orientation	<b>HORIZONTAL</b>
Drive End Bearing	<b>BALL</b>	Opp Drive End Bearing	<b>BALL</b>
Frame Material	<b>Rolled Steel</b>	Shaft Type	<b>NEMA 56</b>
Overall Length	<b>9.99 in</b>	Frame Length	<b>6.00 in</b>
Shaft Diameter	<b>0.625 in</b>	Shaft Extension	<b>1.88 in</b>
Assembly/Box Mounting	<b>F1 ONLY</b>		
Outline Drawing	<b>031628-600</b>	Connection Diagram	<b>005005.44</b>

This is an uncontrolled document once printed or downloaded and is subject to change without notice. Date Created: 10/15/2018

031628



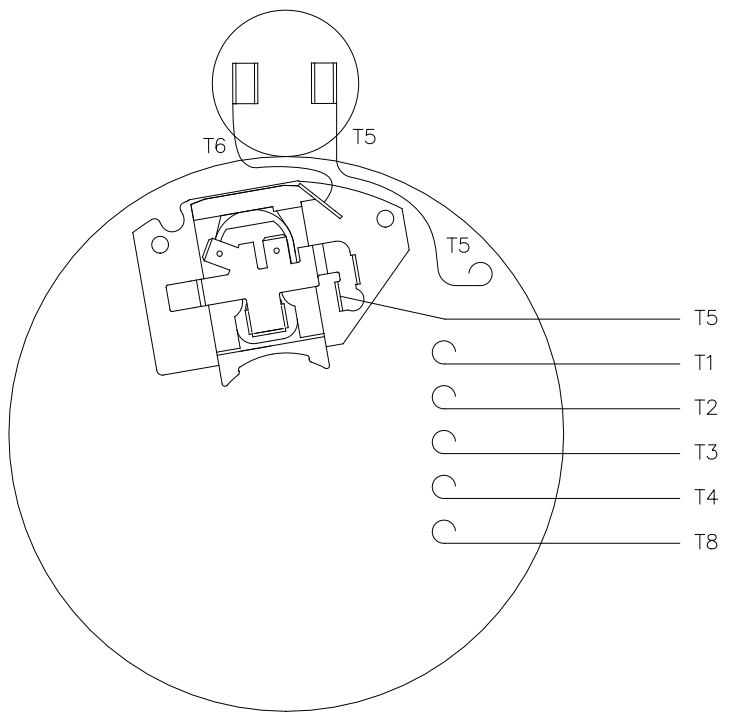
1/2-14 NPT  
CONDUIT HOLE  
(PLUGGED)

DASH NO.	"C"	"AD"
475	8.74	6.00
500	8.99	6.25
525	9.24	6.50
550	9.49	6.75
575	9.74	7.00
600	9.99	7.25
625	10.24	7.50
650	10.49	7.75
675	10.74	8.00
700	10.99	8.25

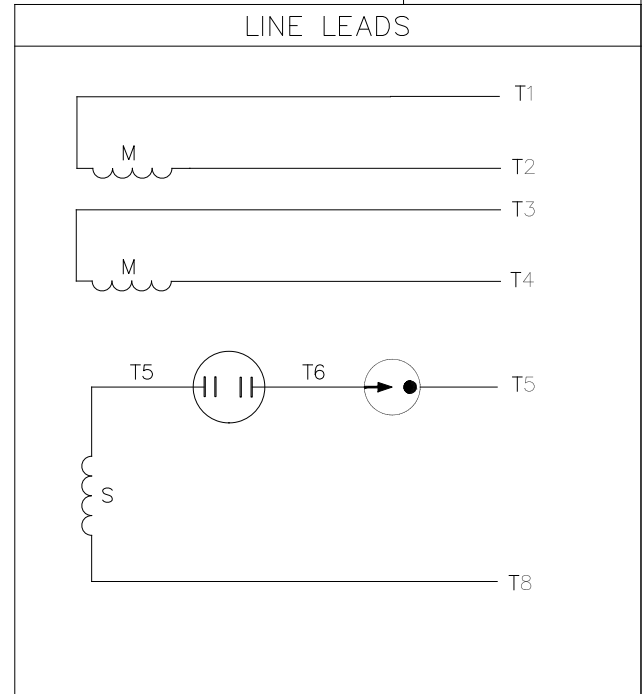
3/8-16 UNC 2B TAP x .56 DEEP  
(4) REQ'D. ON A Ø5.875 B.C.

			TOLERANCES UNLESS SPECIFIED		LEESON	ELECTRIC MOTORS GEARMOTORS AND DRIVES	DRAWN PG 5/24/01		
			DEC.	INCHES			CHK	APPD	
			.X	±.1			SCALE 1=2		
			.XX	±.03	TITLE	OUTLINE - S56C FRAME "C" FACE MOUNT - DRIP PROOF	REF 031070		
02	UPDATED WITH CAP BOX AND DECAL	SL 10/01/15	JD	.XXX	MAT'L.	1 PHASE	FMP 100019		
01	REVISED CALLOUT OF GD&T	KMM 6/6/02		.XXXX	FINISH		PREV		
NO.	REVISION	BY & DATE	CHK	ANG	±1/2"				
THIS DRAWING IN DESIGN AND DETAIL IS OUR PROPERTY AND MUST NOT BE USED EXCEPT IN CONNECTION WITH OUR WORK ALL RIGHTS OF DESIGN AND INVENTION ARE RESERVED THIS IS AN ELECTRONICALLY GENERATED DOCUMENT - DO NOT SCALE THIS PRINT					RFP	CAD FILE 031628	SIZE A	DRAWING NO. 031628	REV. 02
					DIST				


005005-44



VIEW FROM OUTSIDE OF MOTOR AT SWITCH END



	ROTATION FACING LEAD END	L1	L2	JOIN
HIGH VOLT	C.C.W.	T1	T4, T5	T2, T3 T8
	C.W.	T1	T4, T8	T2, T3 T5
LOW VOLT	C.C.W.	T1 T3, T8	T2, T4 T5	
	C.W.	T1 T3, T5	T2, T4 T8	

				TOLERANCES UNLESS OTHERWISE SPECIFIED			 <b>Regal Beloit America, Inc.</b>	
				DEC.	INCHES	METRIC		
				.X	±.1	±2.5	DRAWN PG 5/7/01	TITLE EXTERNAL WIRING DIAGRAM TYPE "C" W/O PROTECTOR
				.XX	±.01	±.25	APPR.	MAT'L. DUAL VOLTAGE - DUAL ROTATION
01	MOVED T5 TO "INSIDE" SWITCH TERMINAL	PG 8/2/01		.XXX	±.005	±.127	R.F.P.	
NO.	REVISION	BY & DATE	CH'K'D.	.XXXX	±.0005	±.0127	SCALE 5=8	
THIS DRAWING IN DESIGN AND DETAIL IS OUR PROPERTY AND MUST NOT BE USED EXCEPT IN CONNECTION WITH OUR WORK ALL RIGHTS OF DESIGN AND INVENTION ARE RESERVED THIS IS AN ELECTRONICALLY GENERATED DOCUMENT - DO NOT SCALE THIS PRINT				FRACTIONS	±1/64		REF. 005005-01	FINISH
				ANGLES	±1/2"		FMF 100006	REV. 01



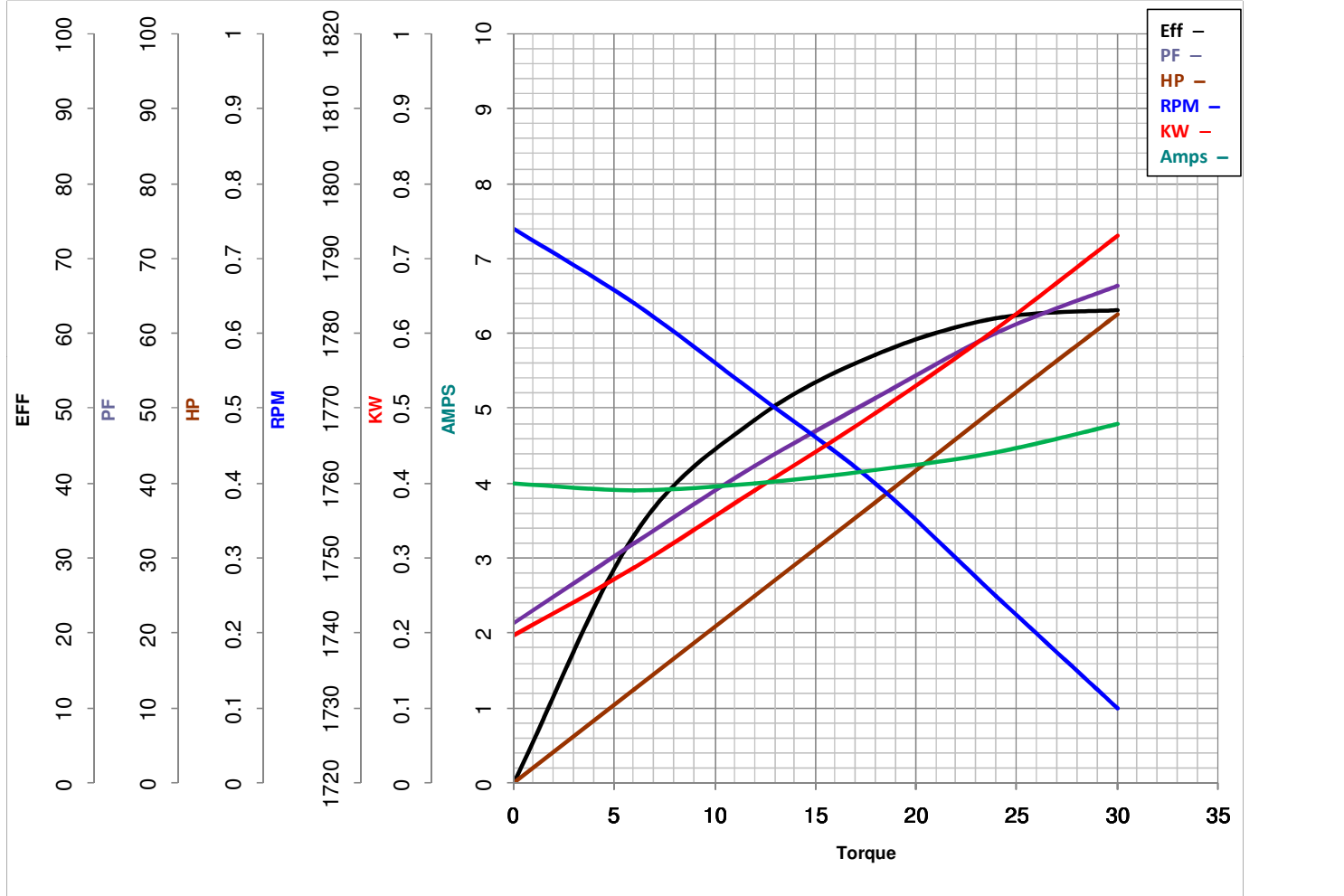
**LEESON ELECTRIC CORPORATION**  
TYPICAL PERFORMANCE CURVE for AC MOTOR

Model No 100025.00

Catalog No 100025.00

Curve at 230 Volts      HP 0.50      PHASE 1  
60 HZ  
0.5 HP      VOLTS 115/208-230

HZ 60      RPM 1725



FL TORQUE	<u>24</u>	Oz.Ft	FL AMPS	<u>8.8/4-4.4</u>
BD TORQUE	<u>66.0</u>	Oz.Ft	PU TORQUE	<u>62.0</u> Oz.Ft
LR TORQUE	<u>80</u>	Oz.Ft	LR AMPS	<u>19.5</u>
WINDING	CE484206-3		Date	3/22/2018