

# PRODUCT INFORMATION PACKET



Model No: M4C17DJ17K

Catalog No: 100045.00

1/2HP..1725RPM.S56.DP.115/208-230V.1PH.60HZ.CONT.40C.1.0SF.RESILIENT BASE.MANUAL.....

Open Drip Proof (ODP)



Regal and Leeson are trademarks of Regal Beloit Corporation or one of its affiliated companies.

©2018 Regal Beloit Corporation, All Rights Reserved. MC017097E





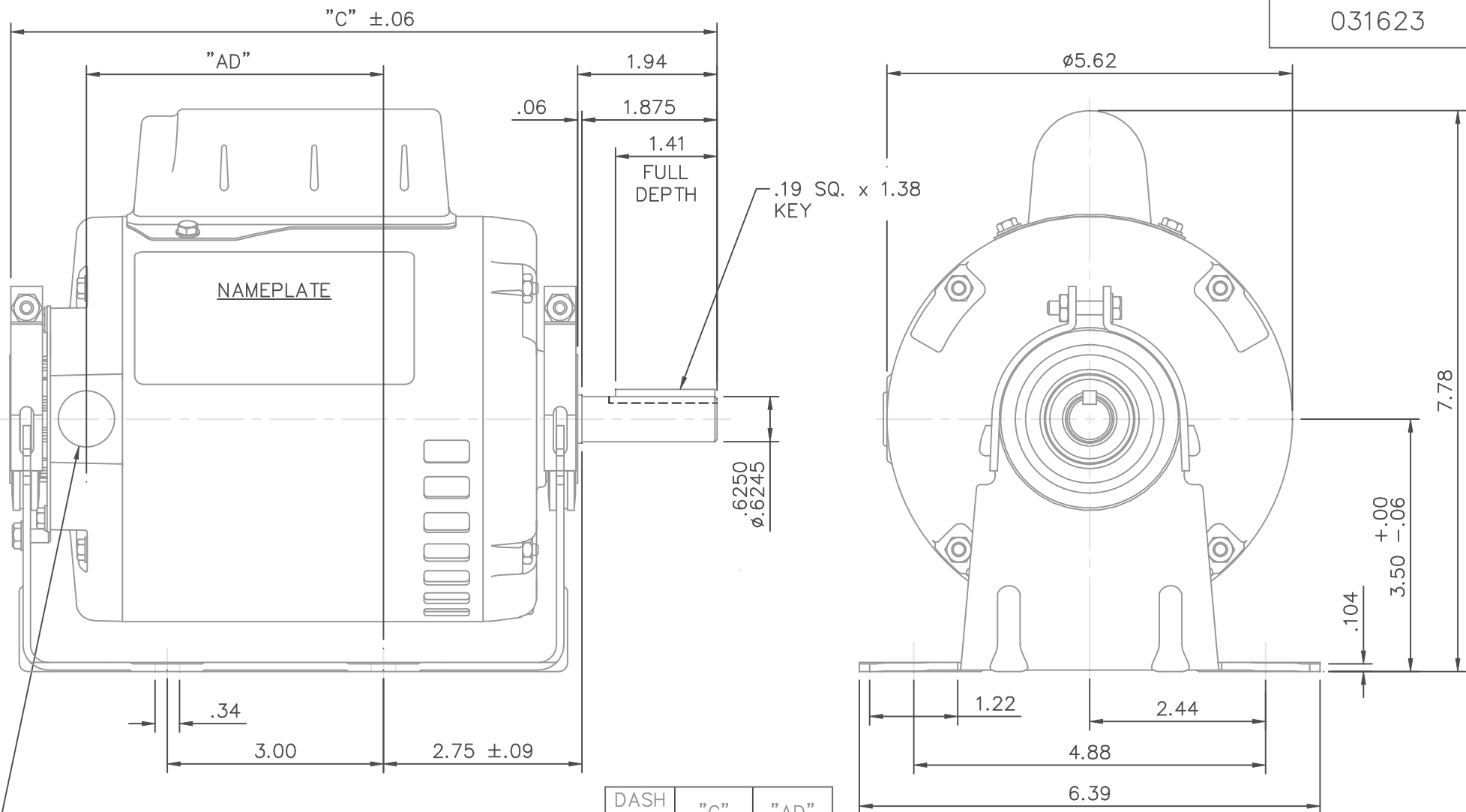
### Nameplate Specifications

Output HP	<b>0.50 Hp</b>	Output KW	<b>0.37 kW</b>
Frequency	<b>60 Hz</b>	Voltage	<b>115/208-230 V</b>
Current	<b>8.8/4.0-4.4 A</b>	Speed	<b>1725 rpm</b>
Service Factor	<b>1</b>	Phase	<b>1</b>
Efficiency	<b>62 %</b>	Duty	<b>Continuous</b>
Insulation Class	<b>B</b>	Design Code	<b>N</b>
KVA Code	<b>K</b>	Frame	<b>S56</b>
Enclosure	<b>Drip Proof</b>	Overload Protector	<b>Manual</b>
Ambient Temperature	<b>40 °C</b>	Drive End Bearing Size	<b>6203</b>
Opp Drive End Bearing Size	<b>6203</b>	UL	<b>Recognized</b>
CSA	<b>Y</b>	CE	<b>N</b>
IP Code	<b>22</b>		

### Technical Specifications

Electrical Type	<b>Capacitor Start Induction Run</b>	Starting Method	<b>Across The Line</b>
Poles	<b>4</b>	Rotation	<b>Selective Counterclockwise</b>
Mounting	<b>Resilient Base</b>	Motor Orientation	<b>HORIZONTAL</b>
Drive End Bearing	<b>BALL</b>	Opp Drive End Bearing	<b>BALL</b>
Frame Material	<b>Rolled Steel</b>	Shaft Type	<b>NEMA 56</b>
Overall Length	<b>10.81 in</b>	Frame Length	<b>6.00 in</b>
Shaft Diameter	<b>0.625 in</b>	Shaft Extension	<b>1.88 in</b>
Assembly/Box Mounting	<b>F1 ONLY</b>		
Outline Drawing	<b>031623-600</b>	Connection Diagram	<b>005003.52</b>

031623



1/2-14 NPT  
CONDUIT HOLE  
(PLUGGED)

DASH NO.	"C"	"AD"
500	9.81	4.12
550	10.31	4.62
600	10.81	5.12
650	11.31	5.62

TOLERANCES UNLESS OTHERWISE SPECIFIED

DEC.	INCHES	METRIC
.X	±.1	±2.5
.XX	±.03	±.76
.XXX	±.005	±.127
NO.	REVISION	BY & DATE
CH'K'D.	.XXXX	±.0005 ±.0127

**LEESON** ELECTRIC CORPORATION

DRAWN PG 5/24/01

TITLE  
OUTLINE - S56 FRAME  
RESILIENT MOUNT - DRIP PROOF

APPR.

R.F.P.

MAT'L.  
1 PHASE

SCALE 1=2

THIS DRAWING IN DESIGN AND DETAIL IS OUR PROPERTY AND MUST NOT BE USED EXCEPT IN CONNECTION WITH OUR WORK ALL RIGHTS OF DESIGN AND INVENTION ARE RESERVED THIS IS AN ELECTRONICALLY GENERATED DOCUMENT - DO NOT SCALE THIS PRINT

FRACTIONS ±1/64

ANGLES ±1/2°

REF. 030485

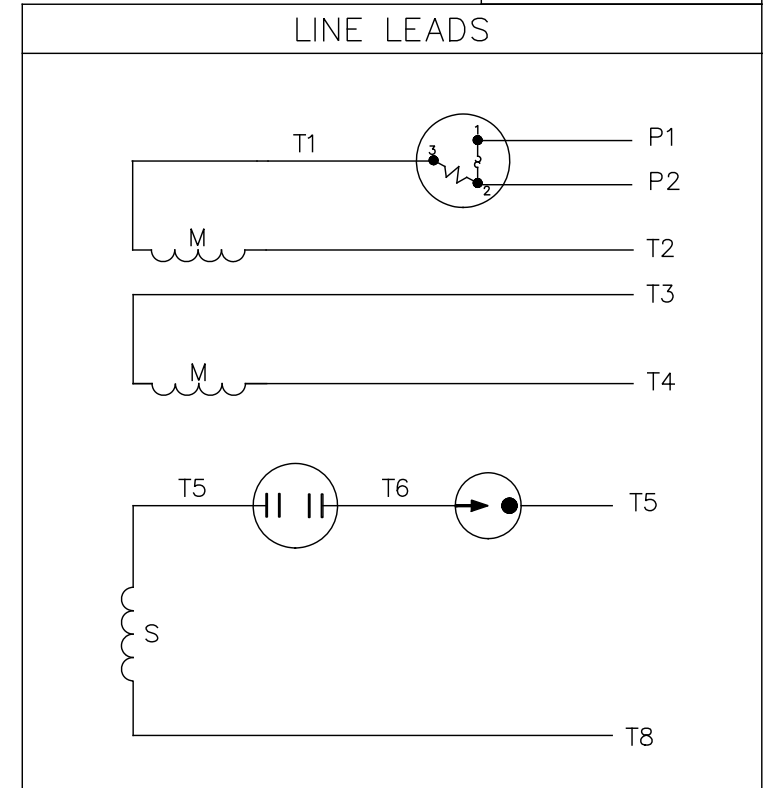
FMF 101611

FINISH


REV.

DRAWING NO.  
031623

VIEW FROM OUTSIDE OF MOTOR AT SWITCH END.



	ROTATION FACING LEAD END	L1	L2	JOIN	INSULATE SEPARATELY
HIGH VOLT	C.C.W.	P1	T4 T5	T2, T3 T8	P2
	C.W.	P1	T4 T8	T2, T3 T5	P2
LOW VOLT	C.C.W.	P1	T2, T4 T5	P2, T3 T8	--
	C.W.	P1	T2, T4 T8	P2, T3 T5	--

				TOLERANCES UNLESS SPECIFIED		 <b>Regal Beloit America, Inc.</b>		DRAWN PG 6/8/01		
				DEC.	INCHES			CHK		
				.X	±.1			APPD		
				.XX	±.01	TITLE		SCALE 1=1		
02	CHANGED CAMPANY LOGO ONLY	AS	11/08/16	.XXX	±.005	EXTERNAL WIRING DIAGRAM TYPE "C" W/PROTECTOR		REF 005003-01		
01	MOVED T5 TO "INSIDE" SWITCH TERMINAL	PG	8/2/01	CD	.XXXX ±.0005	MAT'L. DUAL VOLTAGE - DUAL ROTATION		FMF 100002		
NO.	REVISION	BY & DATE	CHK	ANG	±1/2'	FINISH DECAL - 004011		PREV		
THIS DRAWING IN DESIGN AND DETAIL IS OUR PROPERTY AND MUST NOT BE USED EXCEPT IN CONNECTION WITH OUR WORK ALL RIGHTS OF DESIGN AND INVENTION ARE RESERVED THIS IS AN ELECTRONICALLY GENERATED DOCUMENT - DO NOT SCALE THIS PRINT				RFP	CAD FILE 00500352		SIZE	DRAWING NO.		REV.
				DIST			A	005003-52		02

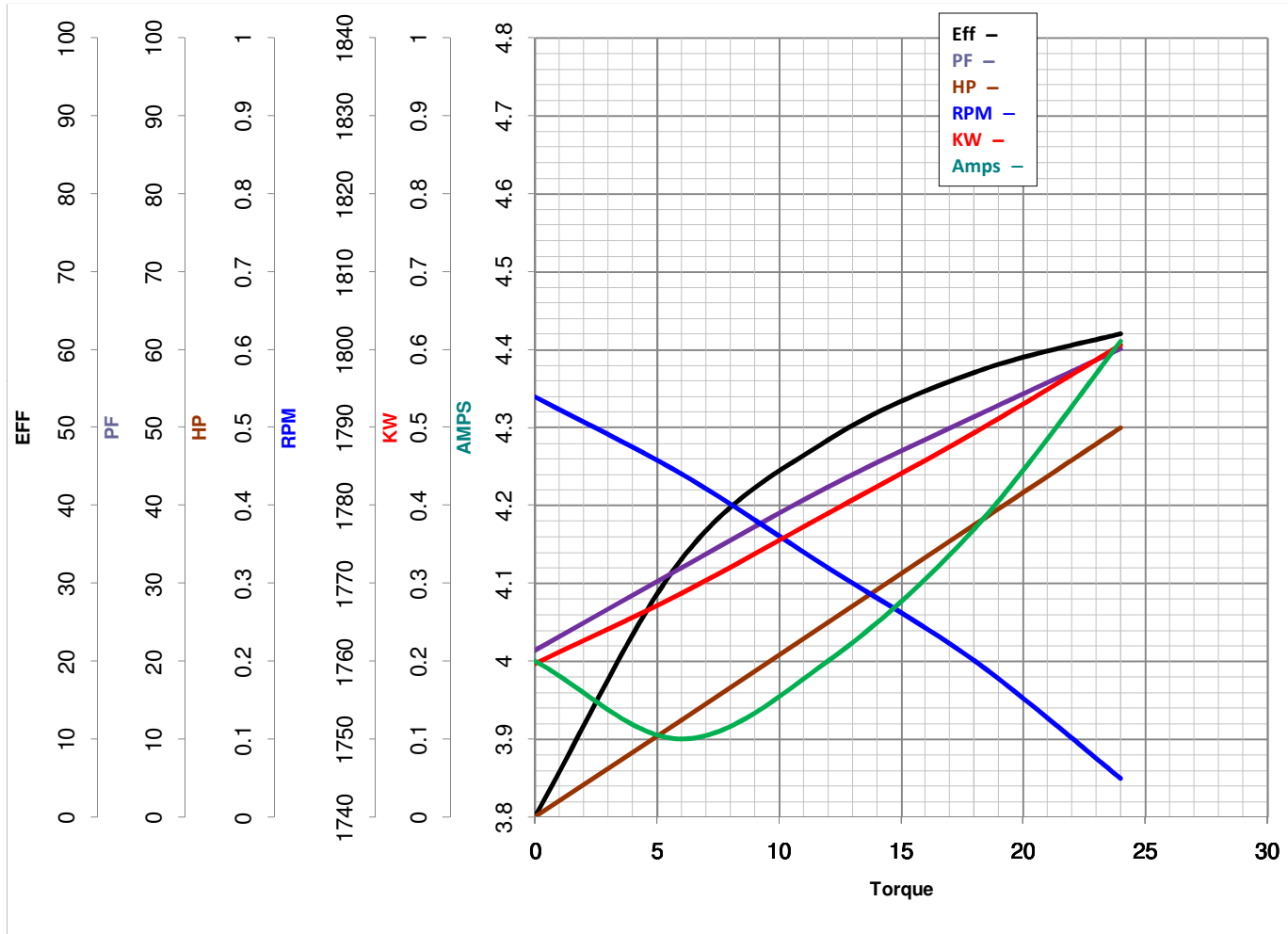


**LEESON ELECTRIC CORPORATION**  
 TYPICAL PERFORMANCE CURVE for AC MOTOR

Model No 100045.00

Catalog No 100045.00

Curve at 230 Volts      HP 0.50      PHASE 1  
60 HZ  
0.5 HP      VOLTS 115/208-230  
                                  HZ 60      RPM 1725



Torque in Oz.Ft

FL TORQUE 24 Oz.Ft  
 BD TORQUE 66.0 Oz.Ft  
 LR TORQUE 80 Oz.Ft

FL AMPS 8.8/4-4.4  
 PU TORQUE 62.0 Oz.Ft  
 LR AMPS 19.5

WINDING CE484206-3

Date 3/22/2018