

PRODUCT INFORMATION PACKET



Model No: A4C17DJ10K

Catalog No: 100064.00

1/2HP..1725RPM.S56.DP.115/208-230V.1PH.60HZ.CONT.40C.1.0SF.RESILIENT BASE. .AUTOMATIC.....

Open Drip Proof (ODP)



Regal and Leeson are trademarks of Regal Beloit Corporation or one of its affiliated companies.

©2018 Regal Beloit Corporation, All Rights Reserved. MC017097E





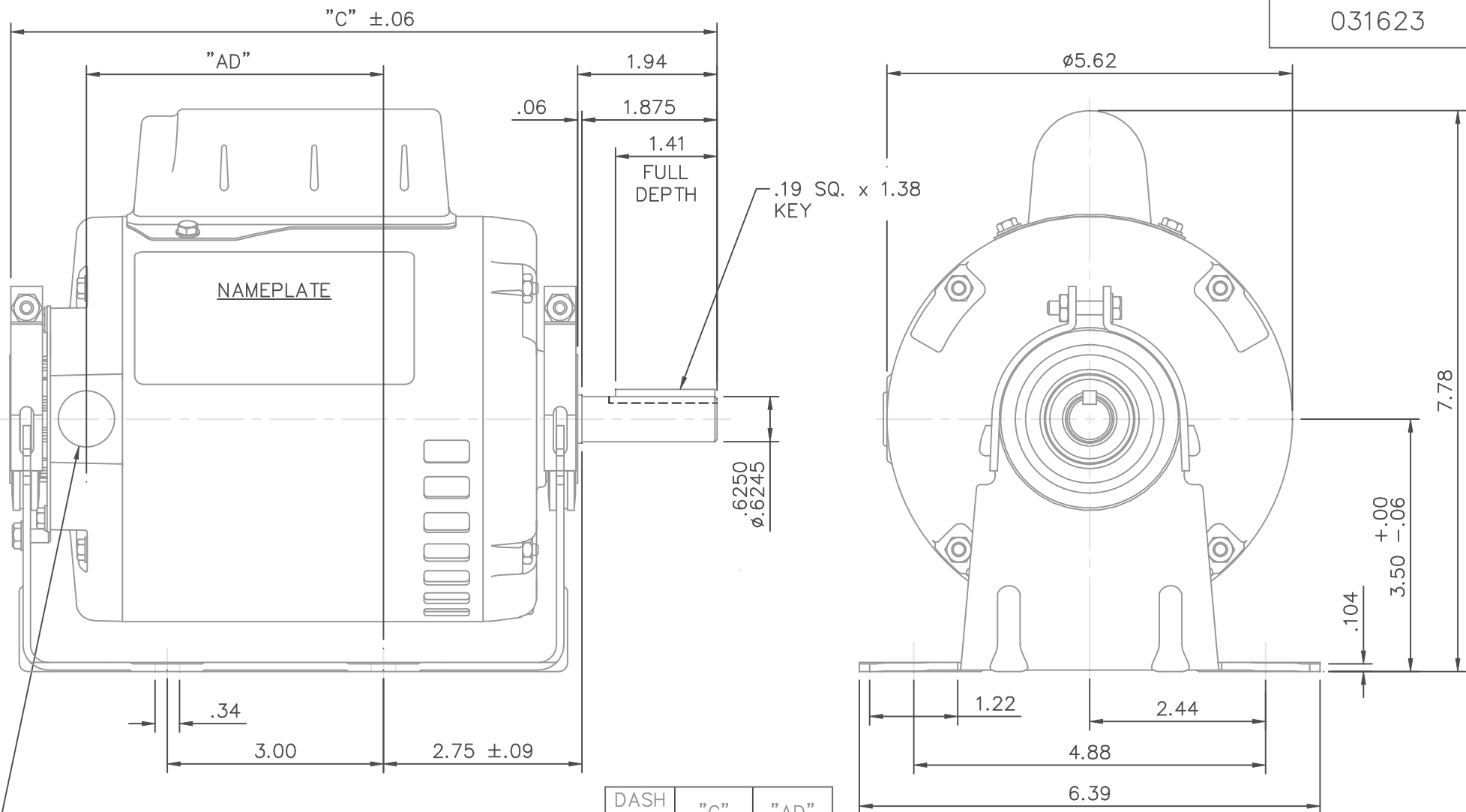
Nameplate Specifications

| | | | |
|----------------------------|----------------------|------------------------|----------------------|
| Output HP | 0.50 Hp | Output KW | 0.37 kW |
| Frequency | 60 Hz | Voltage | 115/208-230 V |
| Current | 8.8/4.0-4.4 A | Speed | 1725 rpm |
| Service Factor | 1 | Phase | 1 |
| Efficiency | 62 % | Duty | Continuous |
| Insulation Class | B | Design Code | N |
| KVA Code | K | Frame | S56 |
| Enclosure | Drip Proof | Overload Protector | Automatic |
| Ambient Temperature | 40 °C | Drive End Bearing Size | 6203 |
| Opp Drive End Bearing Size | 6203 | UL | Recognized |
| CSA | Y | CE | N |
| IP Code | 22 | | |

Technical Specifications

| | | | |
|-----------------------|--------------------------------------|-----------------------|-----------------------------------|
| Electrical Type | Capacitor Start Induction Run | Starting Method | Across The Line |
| Poles | 4 | Rotation | Selective Counterclockwise |
| Mounting | Resilient Base | Motor Orientation | HORIZONTAL |
| Drive End Bearing | BALL | Opp Drive End Bearing | BALL |
| Frame Material | Rolled Steel | Shaft Type | NEMA 56 |
| Overall Length | 10.81 in | Frame Length | 6.00 in |
| Shaft Diameter | 0.625 in | Shaft Extension | 1.88 in |
| Assembly/Box Mounting | F1 ONLY | | |
| Outline Drawing | 031623-600 | Connection Diagram | 005003.52 |

031623



1/2-14 NPT
CONDUIT HOLE
(PLUGGED)

| DASH NO. | "C" | "AD" |
|----------|-------|------|
| 500 | 9.81 | 4.12 |
| 550 | 10.31 | 4.62 |
| 600 | 10.81 | 5.12 |
| 650 | 11.31 | 5.62 |

TOLERANCES UNLESS OTHERWISE SPECIFIED

| DEC. | INCHES | METRIC |
|------|----------|-----------|
| .X | ±.1 | ±2.5 |
| .XX | ±.03 | ±.76 |
| .XXX | ±.005 | ±.127 |
| NO. | REVISION | BY & DATE |

LEESON ELECTRIC CORPORATION

DRAWN PG 5/24/01

TITLE
OUTLINE - S56 FRAME
RESILIENT MOUNT - DRIP PROOF

APPR.

R.F.P.

MAT'L.
1 PHASE

NO.

REVISION

BY & DATE

CH'K'D.

.XXXX ±.0005 ±.0127

SCALE 1=2

THIS DRAWING IN DESIGN AND DETAIL IS OUR PROPERTY AND MUST NOT BE USED EXCEPT IN CONNECTION WITH OUR WORK ALL RIGHTS OF DESIGN AND INVENTION ARE RESERVED THIS IS AN ELECTRONICALLY GENERATED DOCUMENT - DO NOT SCALE THIS PRINT

FRACTIONS ±1/64

ANGLES ±1/2°

REF. 030485

FMF 101611

FINISH

REV.

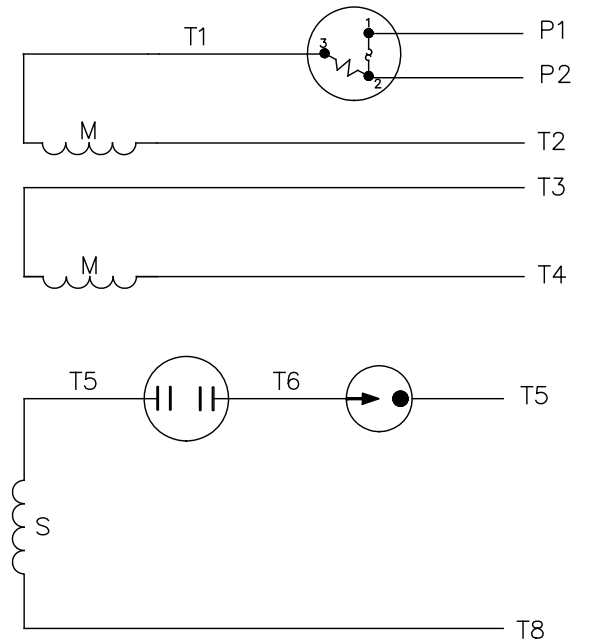
DRAWING NO.

031623

VIEW FROM OUTSIDE OF MOTOR AT SWITCH END.



LINE LEADS



| | ROTATION FACING LEAD END | L1 | L2 | JOIN | INSULATE SEPARATELY |
|--------------|--------------------------------|----|--------------|--------------|------------------------|
| HIGH VOLT | C.C.W. | P1 | T4 T5 | T2, T3 T8 | P2 |
| | C.W. | P1 | T4 T8 | T2, T3 T5 | P2 |
| LOW VOLT | C.C.W. | P1 | T2, T4 T5 | P2, T3 T8 | -- |
| | C.W. | P1 | T2, T4 T8 | P2, T3 T5 | -- |

| | | TOLERANCES UNLESS SPECIFIED | | REGAL™ Regal Beloit America, Inc. | | DRAWN PG 6/8/01 | | | |
|--|--------------------------------------|--------------------------------|----------|-----------------------------------|--------------|-------------------------------------|------|-------------|------|
| | | DEC. | INCHES | | | CHK | | | |
| | | .X | ±.1 | | | APPD | | | |
| | | .XX | ±.01 | TITLE | | SCALE 1=1 | | | |
| 02 | CHANGED CAMPANY LOGO ONLY | AS | 11/08/16 | .XXX | ±.005 | REF 005003-01 | | | |
| 01 | MOVED T5 TO "INSIDE" SWITCH TERMINAL | PG | 8/2/01 | CD | .XXXX ±.0005 | MAT'L. DUAL VOLTAGE - DUAL ROTATION | | | |
| NO. | REVISION | BY & DATE | CHK | ANG | ±1/2" | FINISH DECAL - 004011 | | | |
| THIS DRAWING IN DESIGN AND DETAIL IS OUR PROPERTY AND MUST NOT BE USED EXCEPT IN CONNECTION WITH OUR WORK ALL RIGHTS OF DESIGN AND INVENTION ARE RESERVED THIS IS AN ELECTRONICALLY GENERATED DOCUMENT - DO NOT SCALE THIS PRINT | | | | RFP | CAD FILE | 00500352 | SIZE | DRAWING NO. | REV. |
| | | | | DIST | | | A | 005003-52 | 02 |

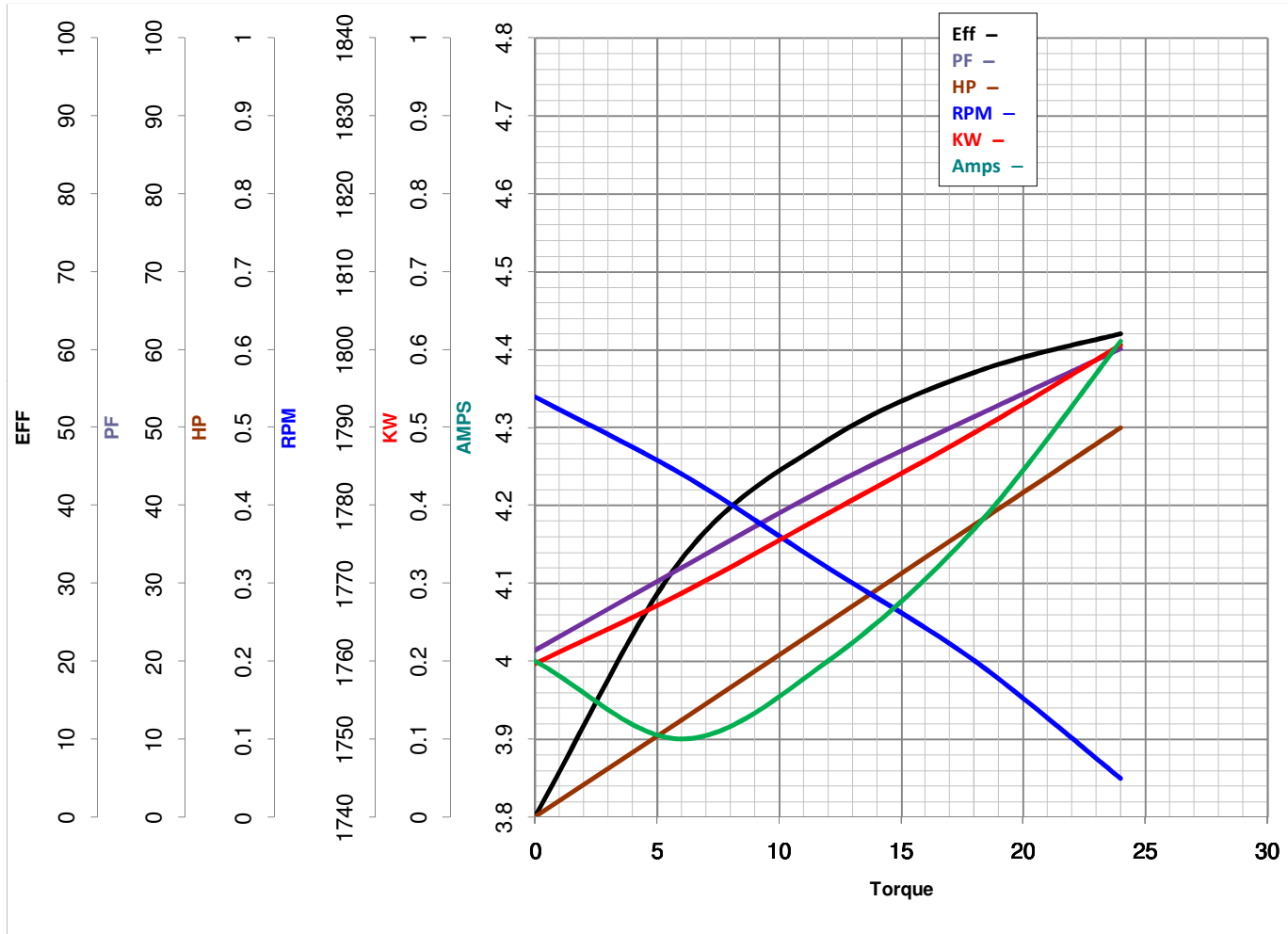


LEESON ELECTRIC CORPORATION
TYPICAL PERFORMANCE CURVE for AC MOTOR

Model No 100064.00

Catalog No 100064.00

Curve at 230 Volts HP 0.50 PHASE 1
60 HZ
0.5 HP VOLTS 115/208-230
HZ 60 RPM 1725



Torque in Oz.Ft

FL TORQUE 24 Oz.Ft
BD TORQUE 66.0 Oz.Ft
LR TORQUE 80 Oz.Ft

FL AMPS 8.8/4-4.4
PU TORQUE 62.0 Oz.Ft
LR AMPS 19.5

WINDING CE484206-3

Date 3/27/2018