

# PRODUCT INFORMATION PACKET



Model No: C4C34DH13F

Catalog No: 100340.00

Obsolete in the US, replaced by E100340.00 3/4HP..3450RPM.48.DP.115/208-230V.1PH.60HZ.CONT.NOT.40C.1.25SF.RIGID.GENERAL PURPOSE.C4C34DH13F

Open Drip Proof (ODP)



Regal and Leeson are trademarks of Regal Beloit Corporation or one of its affiliated companies.

©2018 Regal Beloit Corporation, All Rights Reserved. MC017097E





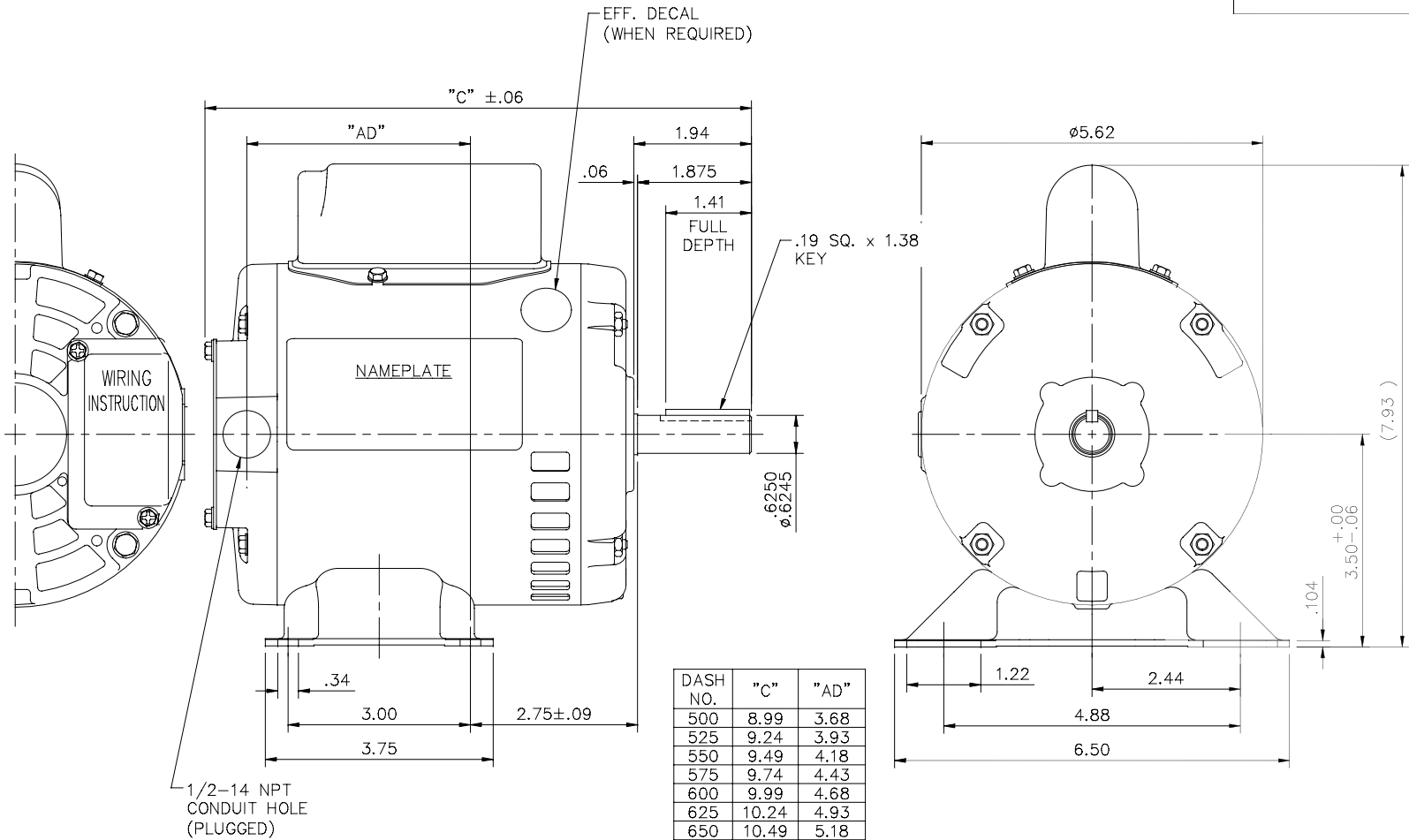
### Nameplate Specifications

Output HP	<b>0.75 Hp</b>	Output KW	<b>0.56 kW</b>
Frequency	<b>60 Hz</b>	Voltage	<b>115/208-230 V</b>
Current	<b>9.8/4.8-4.9 A</b>	Speed	<b>3450 rpm</b>
Service Factor	<b>1.25</b>	Phase	<b>1</b>
Efficiency	<b>70 %</b>	Duty	<b>Continuous</b>
Insulation Class	<b>B</b>	Design Code	<b>N</b>
KVA Code	<b>K</b>	Frame	<b>S56</b>
Enclosure	<b>Drip Proof</b>	Overload Protector	<b>No</b>
Ambient Temperature	<b>40 °C</b>	Drive End Bearing Size	<b>6203</b>
Opp Drive End Bearing Size	<b>6203</b>	UL	<b>Recognized</b>
CSA	<b>Y</b>	CE	<b>N</b>
IP Code	<b>22</b>		

### Technical Specifications

Electrical Type	<b>Capacitor Start Induction Run</b>	Starting Method	<b>Across The Line</b>
Poles	<b>2</b>	Rotation	<b>Selective Counterclockwise</b>
Mounting	<b>Rigid base</b>	Motor Orientation	<b>HORIZONTAL</b>
Drive End Bearing	<b>BALL</b>	Opp Drive End Bearing	<b>BALL</b>
Frame Material	<b>Rolled Steel</b>	Shaft Type	<b>NEMA 56</b>
Overall Length	<b>10.49 in</b>	Frame Length	<b>6.50 in</b>
Shaft Diameter	<b>0.625 in</b>	Shaft Extension	<b>1.88 in</b>
Assembly/Box Mounting	<b>F1 ONLY</b>		
Outline Drawing	<b>031619-650</b>	Connection Diagram	<b>005005.44</b>

031619

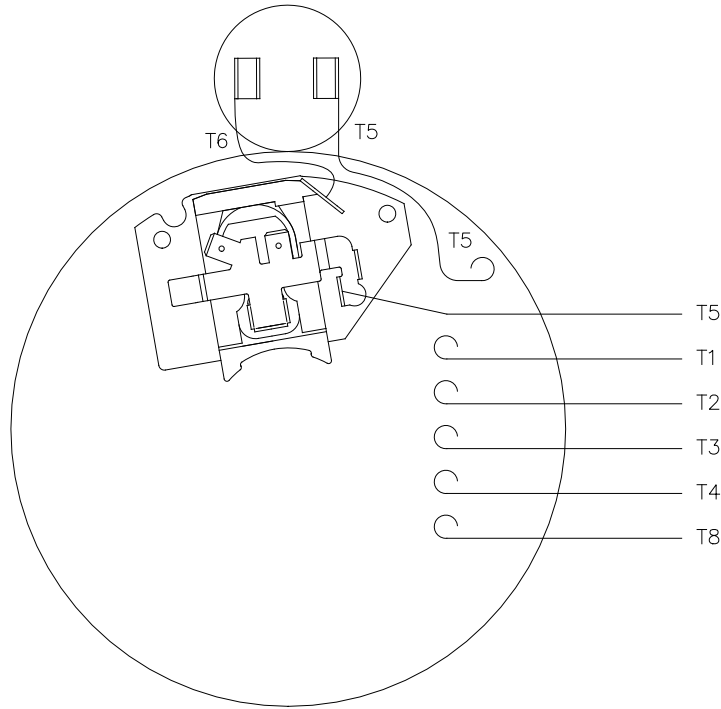


TOLERANCES UNLESS OTHERWISE SPECIFIED

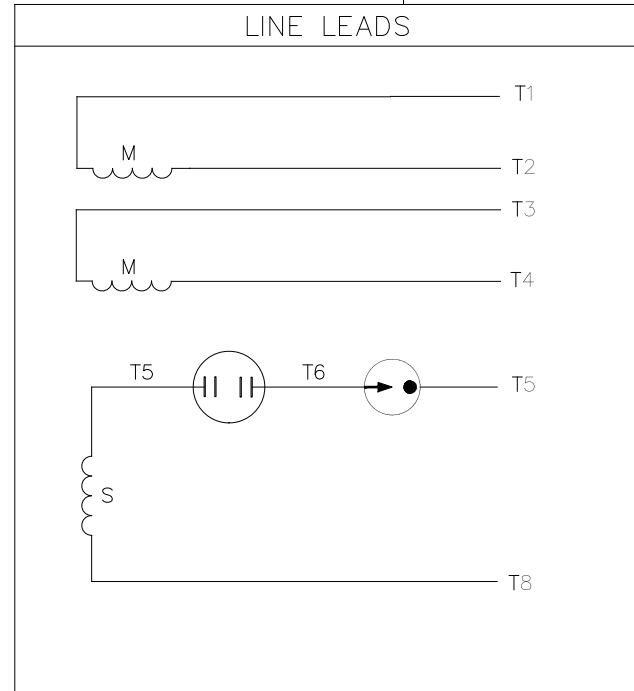
**LEESON** ELECTRIC CORPORATION

DEC.	INCHES	METRIC	DRAWN	PG	TITLE
.X	±.1	±2.5	PG 5/24/01		OUTLINE - S56 FRAME
.XX	±.03	±.76	APPR.		RIGID MOUNT - DRIP PROOF
.XXX	±.005	±.127	R.F.P.		MAT'L. 1 PHASE
.XXXX	±.0005	±.0127	SCALE	1=2	
THIS DRAWING IN DESIGN AND DETAIL IS OUR PROPERTY AND MUST NOT BE USED EXCEPT IN CONNECTION WITH OUR WORK ALL RIGHTS OF DESIGN AND INVENTION ARE RESERVED THIS IS AN ELECTRONICALLY GENERATED DOCUMENT - DO NOT SCALE THIS PRINT			FRACTIONS	±1/64	REF. 031067
			ANGLES	±1/2°	FINISH
					REV.
					DRAWING NO.
					031619


005005-44



VIEW FROM OUTSIDE OF MOTOR AT SWITCH END



	ROTATION FACING LEAD END	L1	L2	JOIN
HIGH VOLT	C.C.W.	T1	T4, T5	T2, T3 T8
	C.W.	T1	T4, T8	T2, T3 T5
LOW VOLT	C.C.W.	T1 T3, T8	T2, T4 T5	
	C.W.	T1 T3, T5	T2, T4 T8	

				TOLERANCES UNLESS OTHERWISE SPECIFIED			 <b>Regal Beloit America, Inc.</b>	
				DEC.	INCHES	METRIC		
				.X	±.1	±2.5	DRAWN PG 5/7/01	TITLE EXTERNAL WIRING DIAGRAM TYPE "C" W/O PROTECTOR
				.XX	±.01	±.25	APPR.	MAT'L. DUAL VOLTAGE - DUAL ROTATION
01	MOVED T5 TO "INSIDE" SWITCH TERMINAL	PG 8/2/01		.XXX	±.005	±.127	R.F.P.	
NO.	REVISION	BY & DATE	CH'K'D.	.XXXX	±.0005	±.0127	SCALE 5=8	
THIS DRAWING IN DESIGN AND DETAIL IS OUR PROPERTY AND MUST NOT BE USED EXCEPT IN CONNECTION WITH OUR WORK ALL RIGHTS OF DESIGN AND INVENTION ARE RESERVED THIS IS AN ELECTRONICALLY GENERATED DOCUMENT - DO NOT SCALE THIS PRINT				FRACTIONS	±1/64		REF. 005005-01	FINISH
				ANGLES	±1/2'		FMF 100006	REV. 01



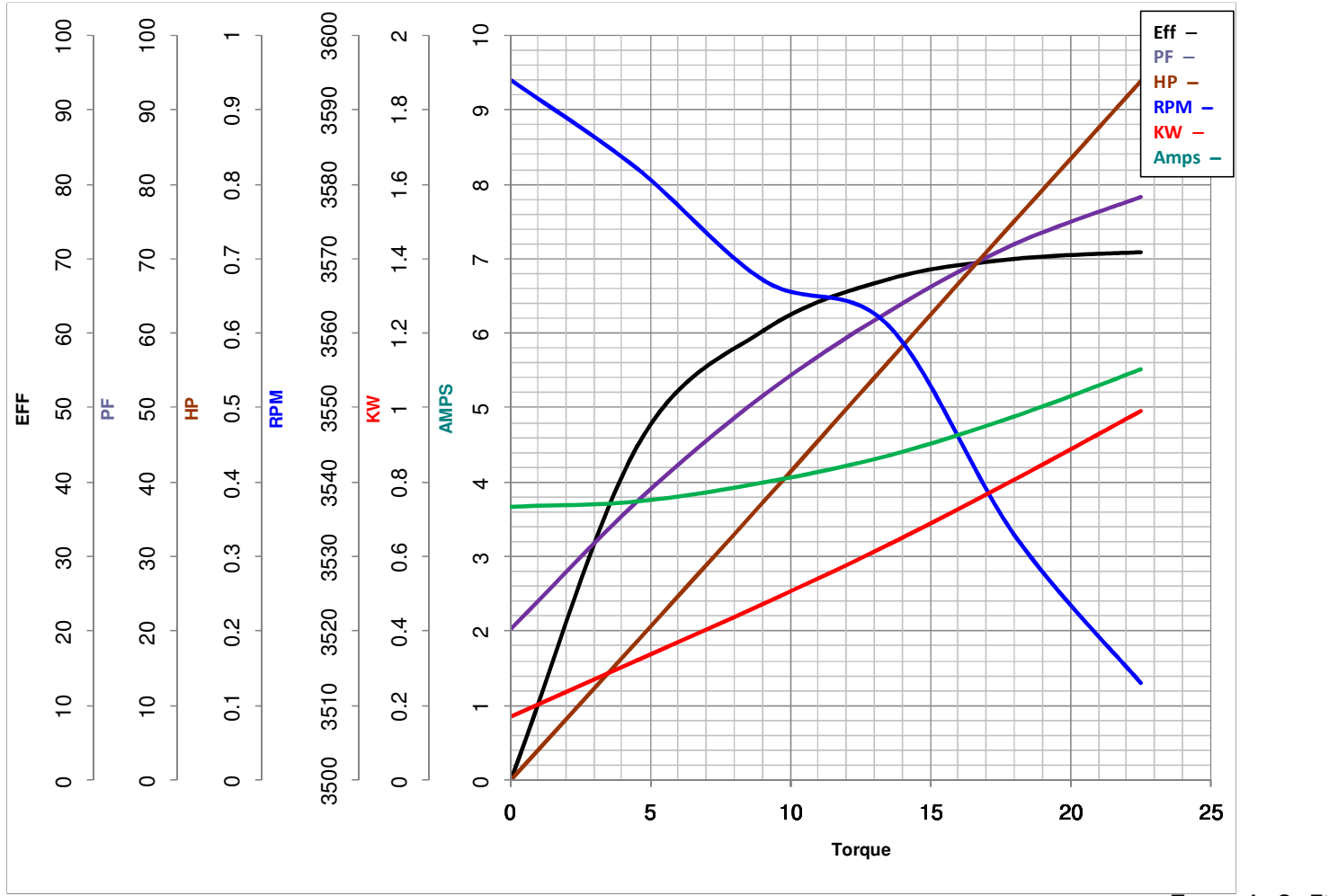
**LEESON ELECTRIC CORPORATION**  
 TYPICAL PERFORMANCE CURVE for AC MOTOR

Model No 100340.00

Catalog No 100340.00

Curve at 230 Volts      HP 0.75      PHASE 1  
60 HZ  
0.75 HP      VOLTS 115/208-230

HZ 60      RPM 3450



<b>FL TORQUE</b>	<u>18</u>	Oz.Ft	<b>FL AMPS</b>	<u>9.8/4.8-4.9</u>
<b>BD TORQUE</b>	<u>48.5</u>	Oz.Ft	<b>PU TORQUE</b>	<u>38.9</u> Oz.Ft
<b>LR TORQUE</b>	<u>39.3</u>	Oz.Ft	<b>LR AMPS</b>	<u>57.2</u>
<b>WINDING</b>	CE482237-3		<b>Date</b>	<u>3/28/2018</u>