

PRODUCT INFORMATION PACKET



Model No: C4C34DC14G

Catalog No: 100357.00

Obsolete in the US, replaced by E100357.00 3/4HP..3450RPM.48.DP.115/208-230V.1PH.60HZ.CONT.NOT.40C.1.25SF.ROUND.GENERAL PURPOSE.C4C34DC14G

Open Drip Proof (ODP)



Regal and Leeson are trademarks of Regal Beloit Corporation or one of its affiliated companies.

©2018 Regal Beloit Corporation, All Rights Reserved. MC017097E





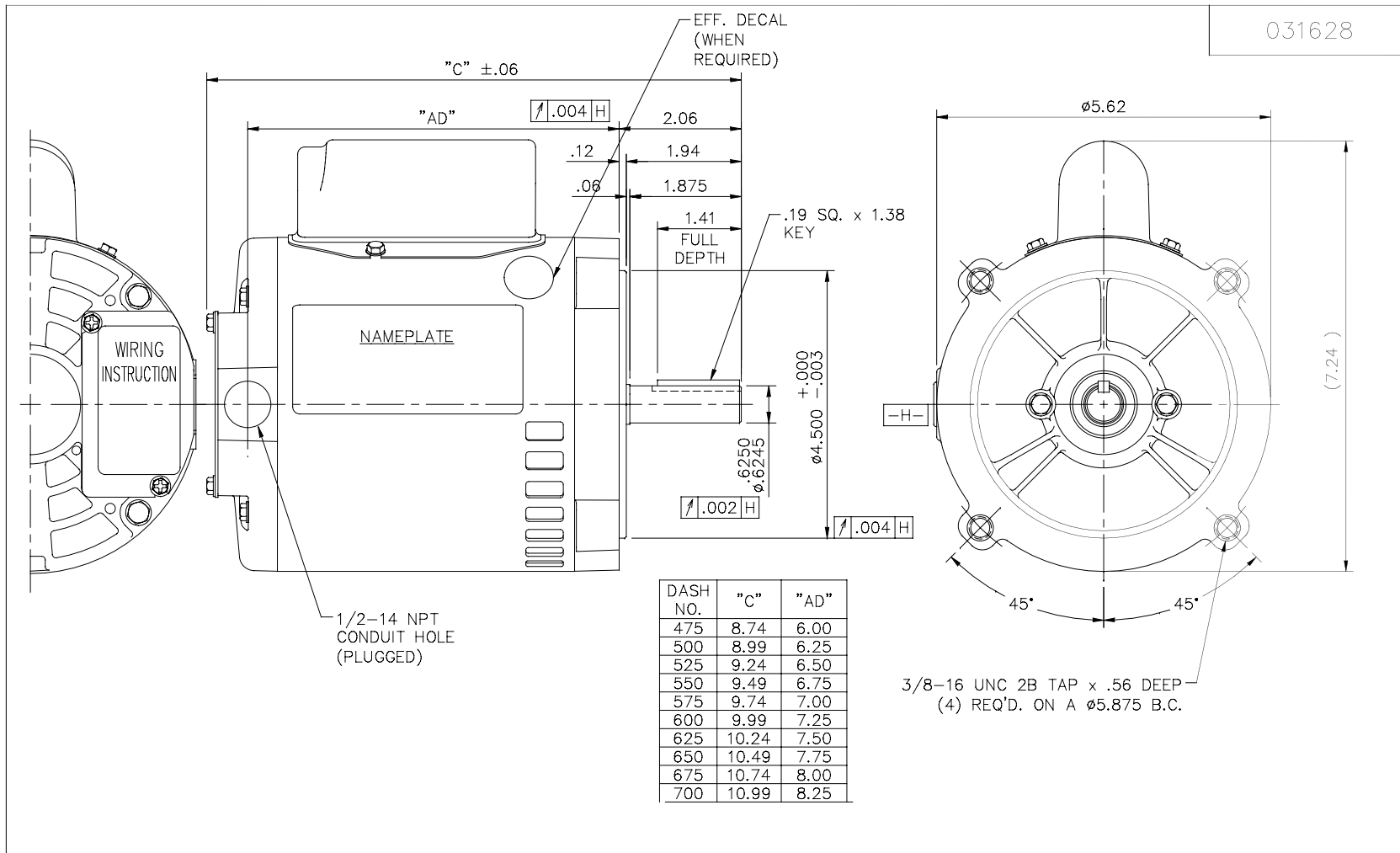
Nameplate Specifications

Output HP	0.75 Hp	Output KW	0.56 kW
Frequency	60 Hz	Voltage	115/208-230 V
Current	9.8/4.8-4.9 A	Speed	3450 rpm
Service Factor	1.25	Phase	1
Efficiency	70 %	Duty	Continuous
Insulation Class	B	Design Code	N
KVA Code	K	Frame	S56C
Enclosure	Drip Proof	Overload Protector	No
Ambient Temperature	40 °C	Drive End Bearing Size	6203
Opp Drive End Bearing Size	6203	UL	Recognized
CSA	Y	CE	N
IP Code	22		

Technical Specifications

Electrical Type	Capacitor Start Induction Run	Starting Method	Across The Line
Poles	2	Rotation	Selective Counterclockwise
Mounting	Round	Motor Orientation	HORIZONTAL
Drive End Bearing	BALL	Opp Drive End Bearing	BALL
Frame Material	Rolled Steel	Shaft Type	NEMA 56
Overall Length	10.49 in	Frame Length	6.50 in
Shaft Diameter	0.625 in	Shaft Extension	1.88 in
Assembly/Box Mounting	F1 ONLY		
Outline Drawing	031628-650	Connection Diagram	005005.44

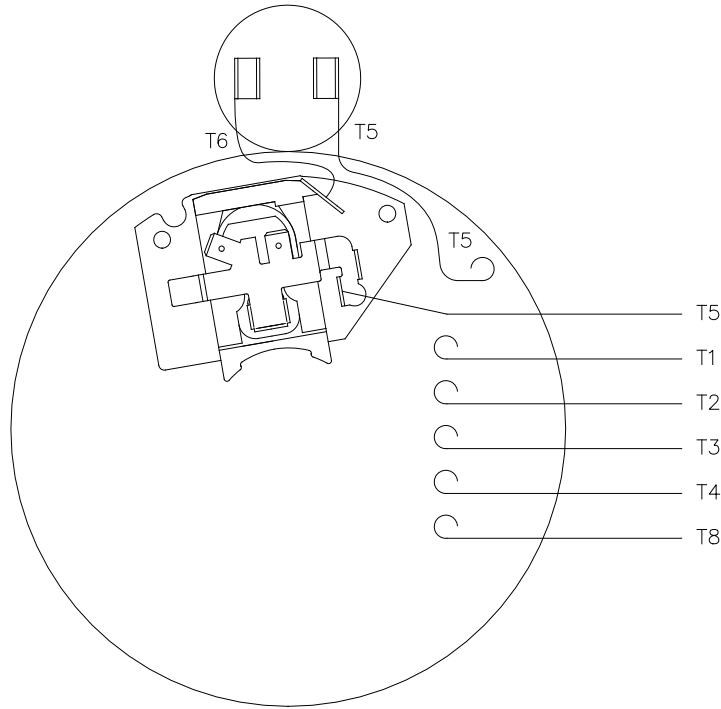
031628



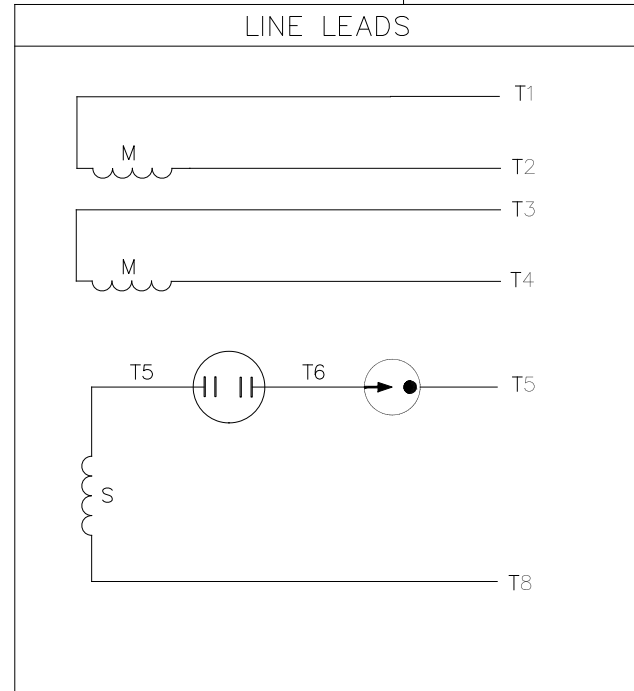
DASH NO.	"C"	"AD"
475	8.74	6.00
500	8.99	6.25
525	9.24	6.50
550	9.49	6.75
575	9.74	7.00
600	9.99	7.25
625	10.24	7.50
650	10.49	7.75
675	10.74	8.00
700	10.99	8.25

		TOLERANCES UNLESS SPECIFIED		DEC.	INCHES	TITLE	DRAWN PG 5/24/01			
		.X	±.1							
		.XX	±.03			ELECTRIC MOTORS GEARMOTORS AND DRIVES	CHK			
02	UPDATED WITH CAP BOX AND DECAL	SL	10/01/15	JD	.XXX		OUTLINE - S56C FRAME "C" FACE MOUNT - DRIP PROOF	APPD		
01	REVISED CALLOUT OF GD&T	KMM	6/6/02		.XXXX	MAT'L.	SCALE 1=2			
NO.	REVISION	BY & DATE	CHK	ANG	±1/2"	FINISH	REF 031070			
THIS DRAWING IN DESIGN AND DETAIL IS OUR PROPERTY AND MUST NOT BE USED EXCEPT IN CONNECTION WITH OUR WORK ALL RIGHTS OF DESIGN AND INVENTION ARE RESERVED THIS IS AN ELECTRONICALLY GENERATED DOCUMENT - DO NOT SCALE THIS PRINT						RFP	CAD FILE 031628	SIZE A	DRAWING NO. 031628	REV. 02
						DIST				


005005-44



VIEW FROM OUTSIDE OF MOTOR AT SWITCH END



	ROTATION FACING LEAD END	L1	L2	JOIN
HIGH VOLT	C.C.W.	T1	T4, T5	T2, T3 T8
	C.W.	T1	T4, T8	T2, T3 T5
LOW VOLT	C.C.W.	T1 T3, T8	T2, T4 T5	
	C.W.	T1 T3, T5	T2, T4 T8	

				TOLERANCES UNLESS OTHERWISE SPECIFIED			 Regal Beloit America, Inc.	
				DEC.	INCHES	METRIC		
				.X	±.1	±2.5	DRAWN PG 5/7/01	TITLE EXTERNAL WIRING DIAGRAM TYPE "C" W/O PROTECTOR
				.XX	±.01	±.25	APPR.	MAT'L. DUAL VOLTAGE - DUAL ROTATION
01	MOVED T5 TO "INSIDE" SWITCH TERMINAL	PG 8/2/01		.XXX	±.005	±.127	R.F.P.	
NO.	REVISION	BY & DATE	CH'K'D.	.XXXX	±.0005	±.0127	SCALE 5=8	
THIS DRAWING IN DESIGN AND DETAIL IS OUR PROPERTY AND MUST NOT BE USED EXCEPT IN CONNECTION WITH OUR WORK ALL RIGHTS OF DESIGN AND INVENTION ARE RESERVED THIS IS AN ELECTRONICALLY GENERATED DOCUMENT - DO NOT SCALE THIS PRINT				FRACTIONS	±1/64		REF. 005005-01	FINISH
				ANGLES	±1/2"		FMF 100006	REV. 01



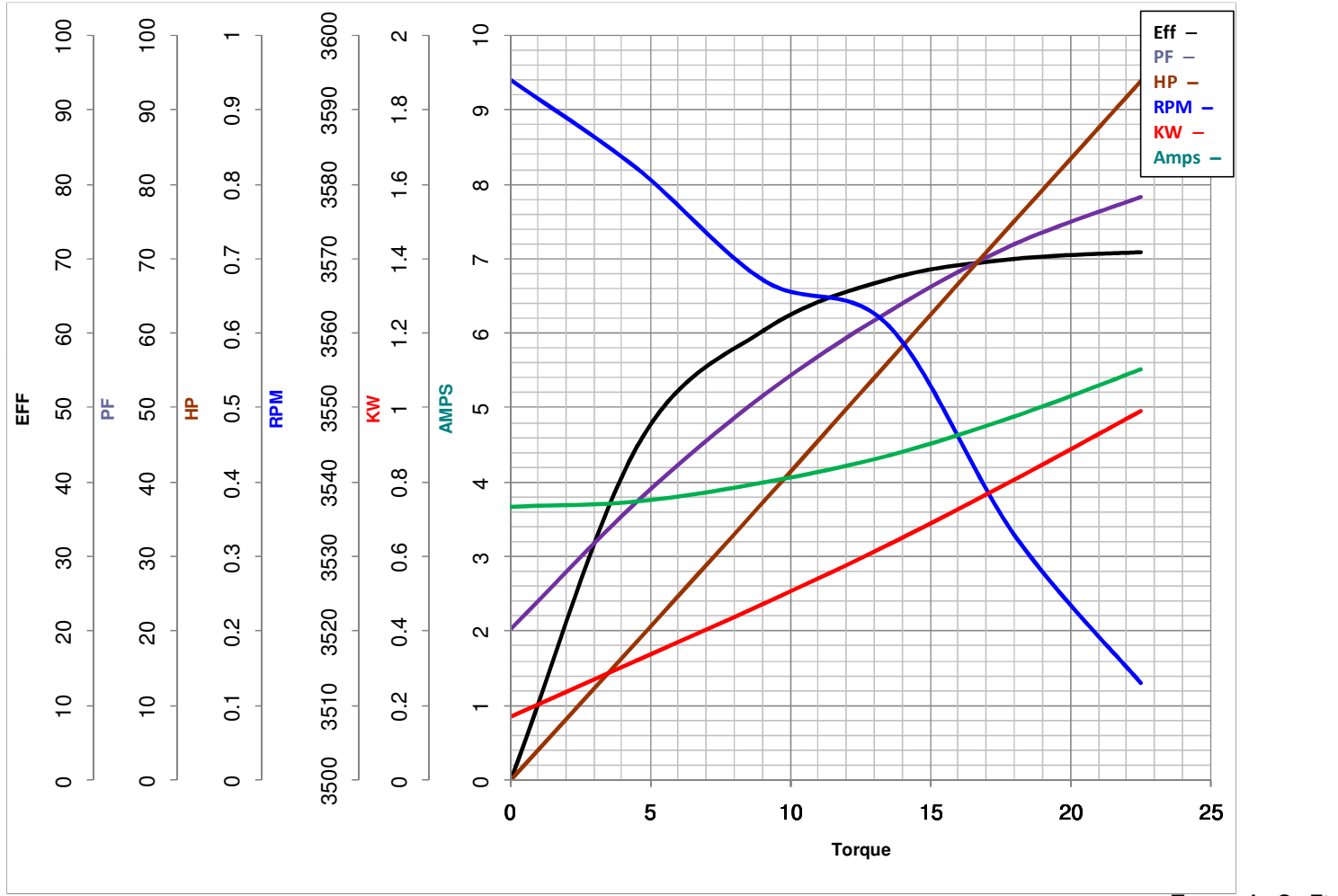
LEESON ELECTRIC CORPORATION
 TYPICAL PERFORMANCE CURVE for AC MOTOR

Model No 100357.00

Catalog No 100357.00

Curve at 230 Volts HP 0.75 PHASE 1
60 HZ
0.75 HP VOLTS 115/208-230

HZ 60 RPM 3450



FL TORQUE	<u>18</u>	Oz.Ft	FL AMPS	<u>9.8/4.8-4.9</u>
BD TORQUE	<u>48.5</u>	Oz.Ft	PU TORQUE	<u>38.9</u> Oz.Ft
LR TORQUE	<u>39.3</u>	Oz.Ft	LR AMPS	<u>57.2</u>
WINDING	CE482237-3		Date	<u>4/19/2018</u>