

PRODUCT INFORMATION PACKET



Model No: 101446.00
Catalog No: 101446.00
0.25 HP General Purpose Motor, 1 phase, 1800 RPM, 115/208-230 V, 48 Frame, TEFC
Single Phase TEFC Motors



Regal and Leeson are trademarks of Regal Beloit Corporation or one of its affiliated companies.
©2020 Regal Beloit Corporation, All Rights Reserved. MC017097E





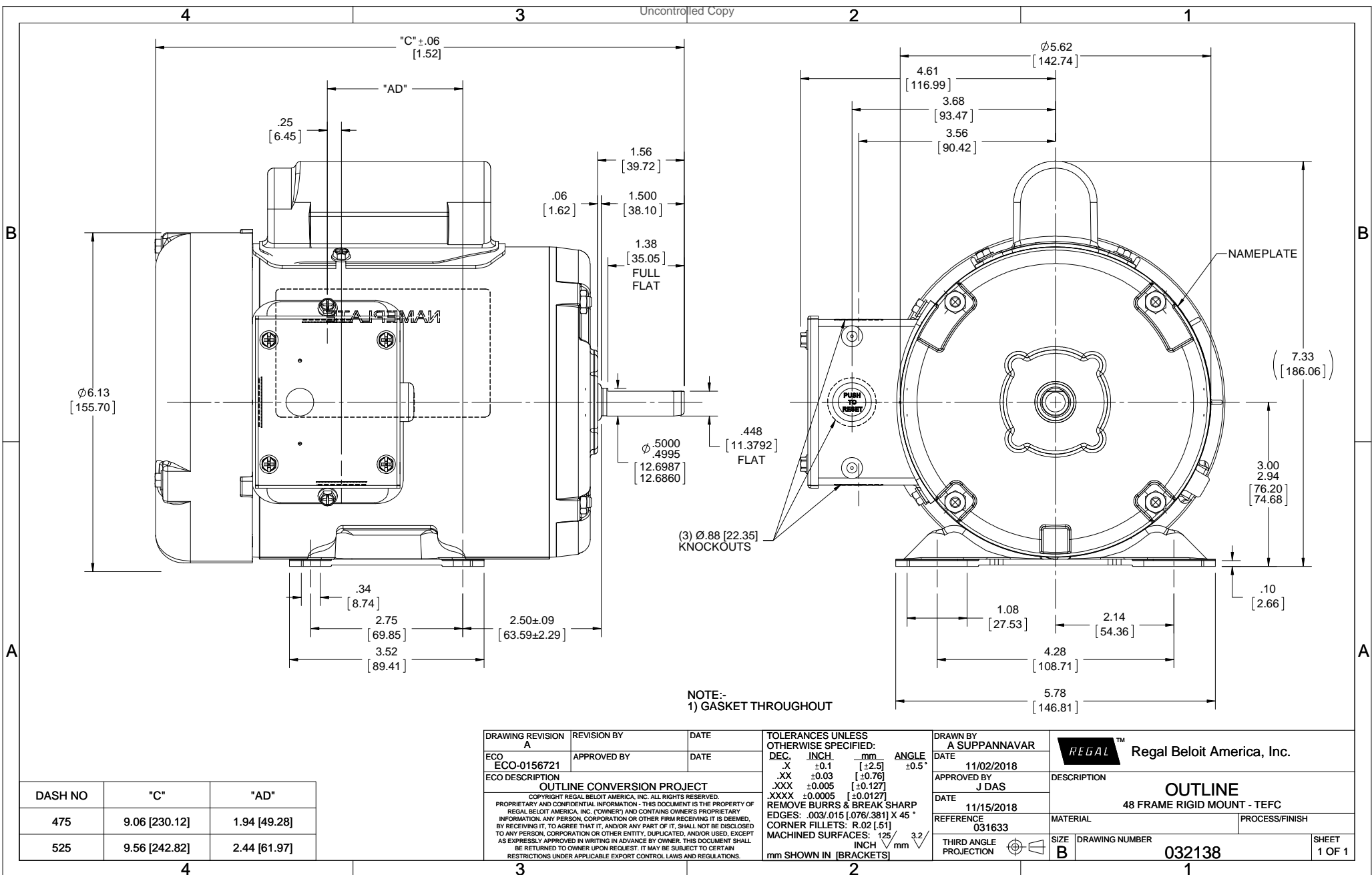
Nameplate Specifications

Output HP	0.25 Hp	Output KW	0.19 kW
Frequency	60 Hz	Voltage	115/208-230 V
Current	5.4/2.4-2.7 A	Speed	1725 rpm
Service Factor	1.15	Phase	1
Efficiency	56 %	Power Factor	54
Duty	Continuous	Insulation Class	B
Design Code	N	KVA Code	M
Frame	48	Enclosure	Totally Enclosed Fan Cooled
Thermal Protection	Manual	Ambient Temperature	40 °C
Drive End Bearing Size	6203	Opp Drive End Bearing Size	6203
UL	Recognized	CSA	Y
CE	N	IP Code	43

Technical Specifications

Electrical Type	Capacitor Start Induction Run	Starting Method	Across The Line
Poles	4	Rotation	Selective Counterclockwise
Resistance Main	6.76 Ohms	Mounting	Rigid base
Motor Orientation	Horizontal	Drive End Bearing	Ball
Opp Drive End Bearing	Ball	Frame Material	Rolled Steel
Shaft Type	NEMA 48	Overall Length	9.06 in
Frame Length	4.75 in	Shaft Diameter	0.500 in
Shaft Extension	1.5 in	Assembly/Box Mounting	F1 ONLY
Connection Drawing	005003.52	Outline Drawing	032138-475

This is an uncontrolled document once printed or downloaded and is subject to change without notice. Date Created:14/10/2020



NOTE:-
1) GASKET THROUGHOUT

DRAWING REVISION	REVISION BY	DATE
A		
ECO-0156721	APPROVED BY	DATE
ECO DESCRIPTION		
OUTLINE CONVERSION PROJECT		
<small>COPYRIGHT REGAL BELOIT AMERICA, INC. ALL RIGHTS RESERVED. PROPRIETARY AND CONFIDENTIAL INFORMATION - THIS DOCUMENT IS THE PROPERTY OF REGAL BELOIT AMERICA, INC. ("OWNER") AND CONTAINS OWNER'S PROPRIETARY INFORMATION. ANY PERSON, CORPORATION OR OTHER FIRM RECEIVING IT IS DEEMED, BY RECEIVING IT, TO AGREE THAT IT, AND/OR ANY PART OF IT, SHALL NOT BE DISCLOSED TO ANY PERSON, CORPORATION OR OTHER ENTITY, DUPLICATED, AND/OR USED, EXCEPT AS EXPRESSLY APPROVED IN WRITING IN ADVANCE BY OWNER. THIS DOCUMENT SHALL BE RETURNED TO OWNER UPON REQUEST. IT MAY BE SUBJECT TO CERTAIN RESTRICTIONS UNDER APPLICABLE EXPORT CONTROL LAWS AND REGULATIONS.</small>		

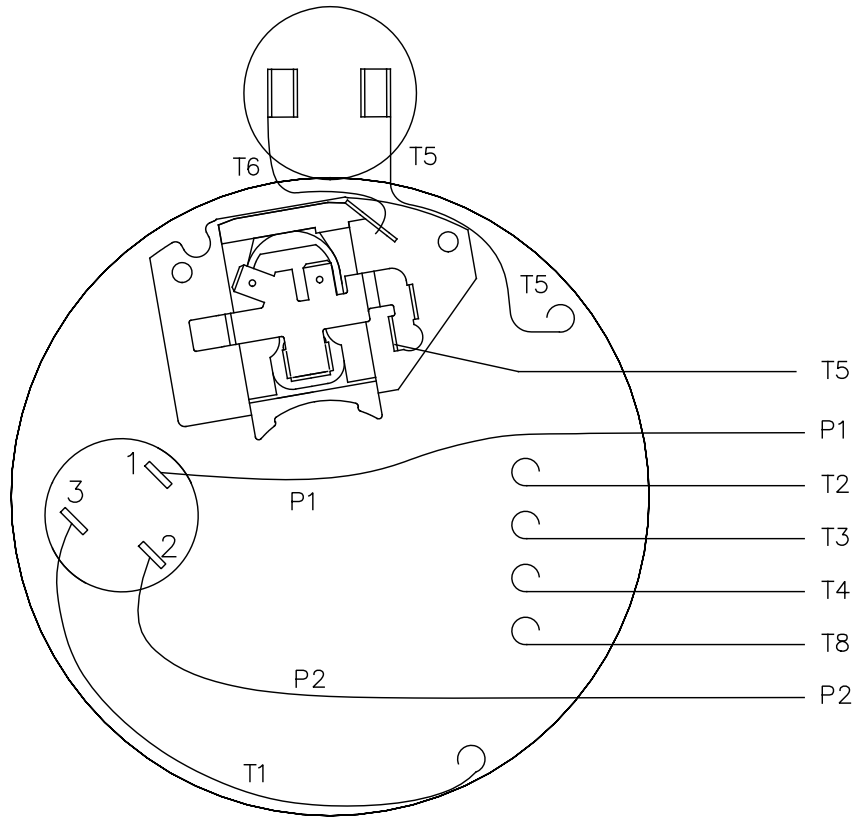
TOLERANCES UNLESS OTHERWISE SPECIFIED:			
DEC.	INCH	mm	ANGLE
.X	±0.1	[±2.5]	±0.5°
.XX	±0.03	[±0.76]	
.XXX	±0.005	[±0.127]	
.XXXX	±0.0005	[±0.0127]	
REMOVE BURRS & BREAK SHARP			
EDGES: .003/.015 [0.076/.381] X 45°			
CORNER FILLETS: R.02 [51]			
MACHINED SURFACES: 125/3.2			
mm SHOWN IN [BRACKETS]			

DRAWN BY	A SUPPANAVAR
DATE	11/02/2018
APPROVED BY	J DAS
DATE	11/15/2018
REFERENCE	031633
THIRD ANGLE PROJECTION	

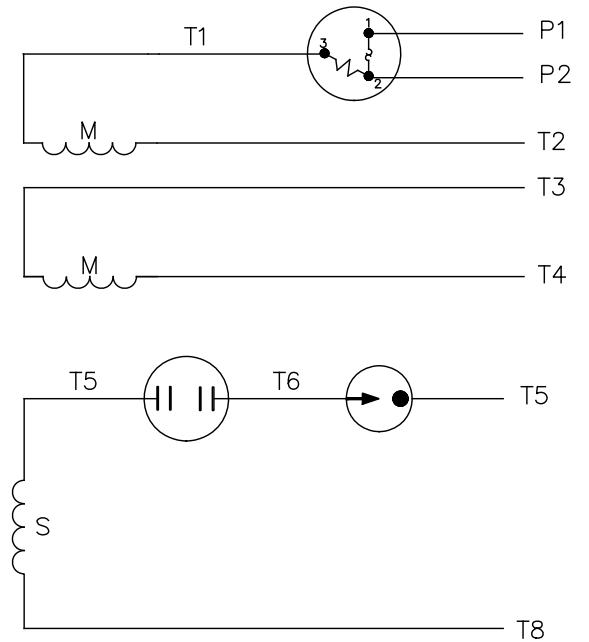
		Regal Beloit America, Inc.	
DESCRIPTION		OUTLINE	
		48 FRAME RIGID MOUNT - TEFC	
MATERIAL		PROCESS/FINISH	
SIZE	B	DRAWING NUMBER	032138
		SHEET	1 OF 1

DASH NO	"C"	"AD"
475	9.06 [230.12]	1.94 [49.28]
525	9.56 [242.82]	2.44 [61.97]

VIEW FROM OUTSIDE OF MOTOR AT SWITCH END.



LINE LEADS



	ROTATION FACING LEAD END	L1	L2	JOIN	INSULATE SEPARATELY
HIGH VOLT	C.C.W.	P1	T4 T5	T2, T3 T8	P2
	C.W.	P1	T4 T8	T2, T3 T5	P2
LOW VOLT	C.C.W.	P1	T2, T4 T5	P2, T3 T8	--
	C.W.	P1	T2, T4 T8	P2, T3 T5	--

		TOLERANCES UNLESS SPECIFIED		REGAL™ Regal Beloit America, Inc.		DRAWN PG 6/8/01			
		DEC.	INCHES			CHK			
		.X	±.1			APPD			
		.XX	±.01	TITLE		SCALE 1=1			
02	CHANGED CAMPANY LOGO ONLY	AS	11/08/16	.XXX	±.005	REF 005003-01			
01	MOVED T5 TO "INSIDE" SWITCH TERMINAL	PG	8/2/01	CD	.XXXX ±.0005	MAT'L. DUAL VOLTAGE - DUAL ROTATION			
NO.	REVISION	BY & DATE	CHK	ANG	±1/2"	FINISH DECAL - 004011			
THIS DRAWING IN DESIGN AND DETAIL IS OUR PROPERTY AND MUST NOT BE USED EXCEPT IN CONNECTION WITH OUR WORK ALL RIGHTS OF DESIGN AND INVENTION ARE RESERVED THIS IS AN ELECTRONICALLY GENERATED DOCUMENT - DO NOT SCALE THIS PRINT				RFP	CAD FILE	00500352	SIZE A	DRAWING NO. 005003-52	REV. 02
				DIST					



CERTIFICATION DATA SHEET

1051 CHEYENNE AVE.
 GRAFTON, WI 53024
 PH. 262-377-8810

CONN. DIAGRAM: 005003.52

CATALOG #: 101446.00

OUTLINE: 032138-475

MOUNTING: F1 ONLY

WINDING #: CE484211 FR 3 A

TYPICAL MOTOR PERFORMANCE DATA

HP	KW	SYNC. RPM	F.L. RPM	FRAME	ENCLOSURE	KVA CODE	DESIGN
1/4	0.19	1800	1725	48	TEFC	M	N

PH	Hz	VOLTS	AMPS	START TYPE	DUTY	INSL	S.F.	AMB°C
1	60	115/208-230	5.4/2.4-2.7	ACROSS THE LINE	CONTINUOUS	B3	1.15	40

FULL LOAD EFF:	56	3/4 LOAD EFF:	50.5	1/2 LOAD EFF:	42.9	GTD. EFF	ELEC. TYPE
FULL LOAD PF:	54	3/4 LOAD PF:	45.1	1/2 LOAD PF:	36.8	52.5	CAP START IND RUN

F.L. TORQUE	LOCKED ROTOR AMPS	L.R. TORQUE	B.D. TORQUE	F.L. RISE°C
12.2	02-FT	23 / 11.5	43.6	02-FT 363 %
			37.8	02-FT 315 %
				70.8

SOUND PRESSURE @ 3 FT.	SOUND POWER	ROTOR WK^2	MAX. WK^2	SAFE STALL TIME	STARTS / HOUR	APPROX. MOTOR WGT
0	DBA	10	DBA	0.03	LB-FT^2	0
				0	SEC.	0
						18
						LBS.

*** SUPPLEMENTAL INFORMATION ***

DE BRACKET TYPE	ODE BRACKET TYPE	MOUNT TYPE	ORIENTATION	SEVERE DUTY	HAZARDOUS LOCATION	DRIP COVER	SCREENS	PAINT
STANDARD	STANDARD	RIGID	HORIZONTAL	FALSE	NONE	FALSE	NONE	BLUE - LEESON (ENAMEL)

BEARINGS DE ODE	GREASE	SHAFT TYPE	SPECIAL DE	SPECIAL ODE	SHAFT MATERIAL	FRAME MATERIAL
BALL BALL						
6203	MULTEMP SRL	STANDARD 48	NONE	NONE	1144 STRESSPROOF (C-223)	ROLLED STEEL

THERMO-PROTECTORS				THERMISTORS	CONTROL	SPACE HEATERS
THERMOSTATS	PROTECTORS	WDG RTDS	BRG RTDS	NONE	FALSE	NONE
NONE	MANUAL	NONE	NONE			

*

INVERTER TORQUE: NONE
 INV. HP SPEED RANGE: NONE

ENCODER:	NONE
NONE	NONE
NONE	PPR

BRAKE:	NONE	NONE
NONE	P/N	NONE
NONE	NONE	NONE
NONE	FT-LB	NONE
NONE	V	NONE
NONE		Hz

S

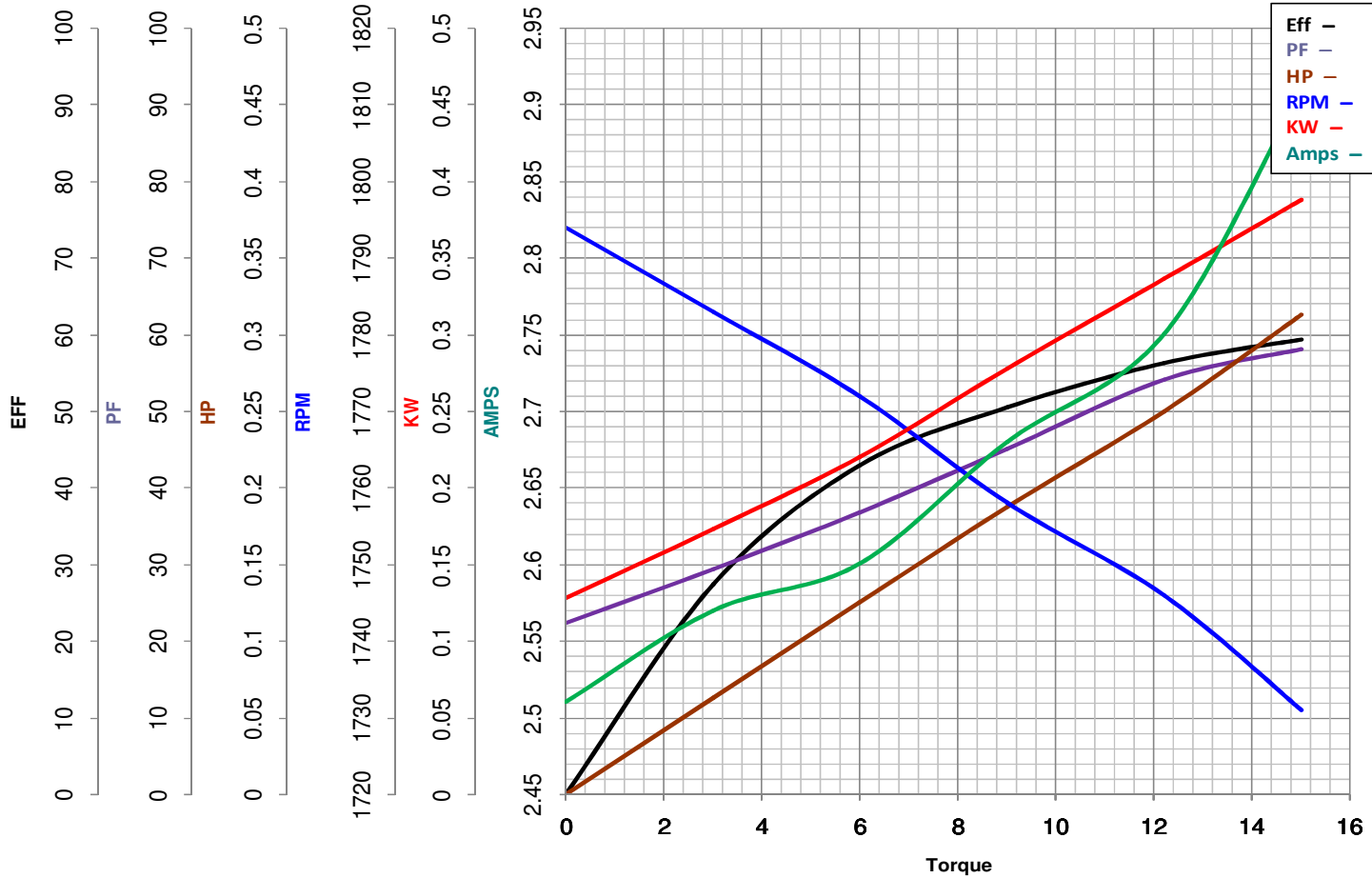


LEESON ELECTRIC CORPORATION
TYPICAL PERFORMANCE CURVE for AC MOTOR

Model No 101446.00

Catalog No 101446.00

Curve at 230 Volts HP 0.25 PHASE 1
60 HZ
0.25 HP VOLTS 115/208-230
HZ 60 RPM 1725



Torque in Oz.Ft

FL TORQUE 12.2 Oz.Ft
 BD TORQUE 37.8 Oz.Ft
 LR TORQUE 43.6 Oz.Ft

FL AMPS 5.4/2.4-2.7
 PU TORQUE 36.5 Oz.Ft
 LR AMPS 11.5

WINDING CE484211-3

Date 7/16/2018