

PRODUCT INFORMATION PACKET



Model No: A4T17DJ18D

Catalog No: 101520.00

1/3HP..1725RPM.S56.DP.230/460V.3PH.60HZ.CONT.40C.1.35SF.RESILIENT BASE.AUTOMATIC.....

Open Drip Proof (ODP)



Regal and Leeson are trademarks of Regal Beloit Corporation or one of its affiliated companies.

©2018 Regal Beloit Corporation, All Rights Reserved. MC017097E





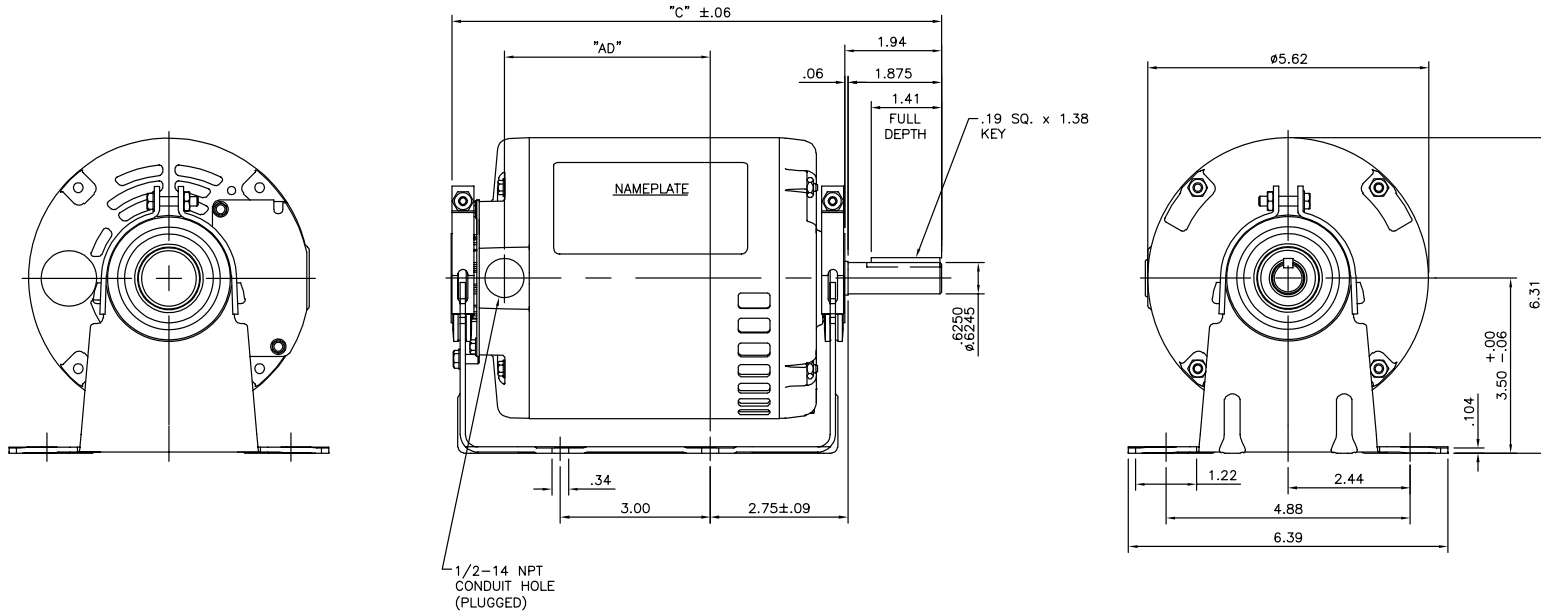
Nameplate Specifications

Output HP	0.33 Hp	Output KW	0.25 kW
Frequency	60 Hz	Voltage	230/460 V
Current	1.6/0.80 A	Speed	1725 rpm
Service Factor	1.35	Phase	3
Efficiency	64.3 %	Duty	Continuous
Insulation Class	B	Design Code	B
KVA Code	M	Frame	S56
Enclosure	Drip Proof	Overload Protector	Automatic
Ambient Temperature	40 °C	Drive End Bearing Size	6203
Opp Drive End Bearing Size	6203	UL	Recognized
CSA	Y	CE	N
IP Code	12		

Technical Specifications

Electrical Type	Squirrel Cage Induction Run	Starting Method	Across The Line
Poles	4	Rotation	Reversible
Mounting	Resilient Base	Motor Orientation	HORIZONTAL
Drive End Bearing	BALL	Opp Drive End Bearing	BALL
Frame Material	Rolled Steel	Shaft Type	NEMA 56
Overall Length	10.81 in	Frame Length	6.00 in
Shaft Diameter	0.625 in	Shaft Extension	1.88 in
Assembly/Box Mounting	F1 ONLY		
Outline Drawing	031624-600	Connection Diagram	005020.01

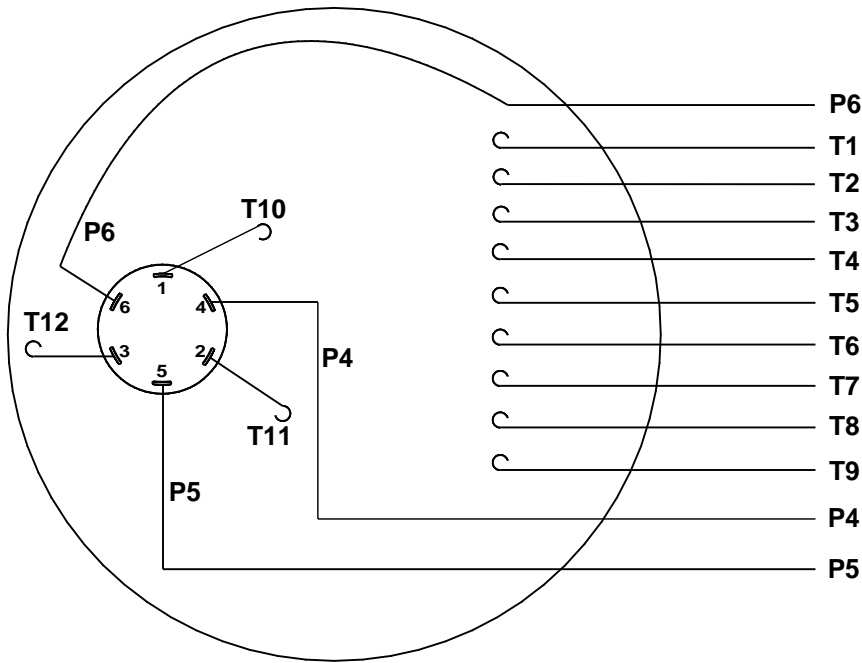
031624



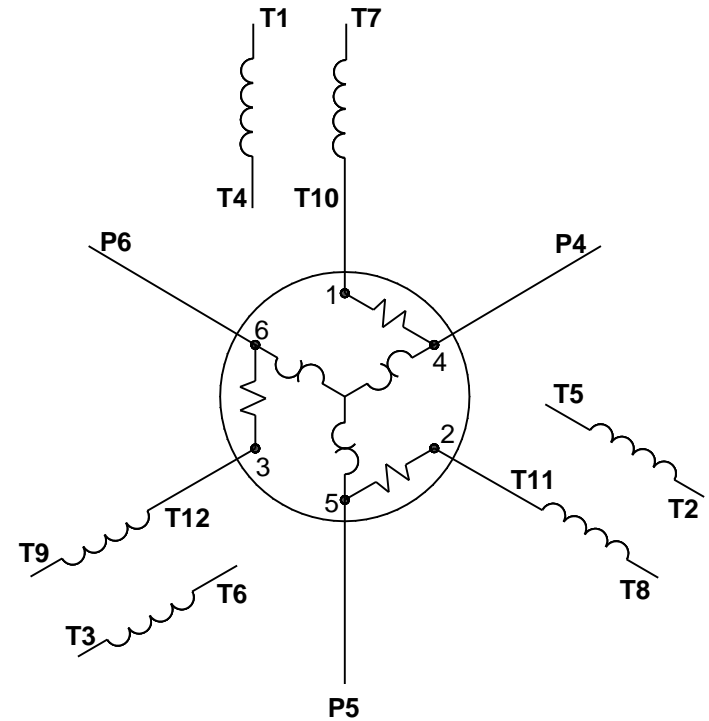
DASH NO.	"C"	"AD"
450	9.31	3.62
500	9.81	4.12
550	10.31	4.62
600	10.81	5.12
650	11.31	5.62
700	11.81	6.12
750	12.31	6.62

TOLERANCES UNLESS SPECIFIED		REGAL™ Regal Beloit America, Inc.		DRAWN PG 5/24/01	
DEC.	INCHES	CHK	APPD	SCALE	1=2
.X	±.1			REF	030485
03	REVISED SCREW HEAD POSITON PER ECO-0053841	PST 6/19/2014	PI	JXX	±.03
02	ADDED LEAD END VIEW PER ISAAC# 08-5699	RVD 01/15/09		.XXX	±.005
01	ADDED "700" DASH NO.	PG 6/28/01		.XXXX	±.0005
				MAT'L	3 PHASE
				FINISH	
				PREV	
THIS DRAWING IN DESIGN AND DETAIL IS OUR PROPERTY AND MUST NOT BE USED EXCEPT IN CONNECTION WITH OUR WORK ALL RIGHTS OF DESIGN AND INVENTION ARE RESERVED THIS IS AN ELECTRONICALLY GENERATED DOCUMENT - DO NOT SCALE THIS PRINT		CHK	ANG	±1/2'	
		RFP		CAD FILE	031624
		DIST		SIZE	DRAWING NO.
				B	031624
					REV.
					03

VIEW FROM OUTSIDE OF MOTOR AT SWITCH END.



LINE LEADS



VOLTAGE	L1	L2	L3	JOIN	SEPARATE
HIGH	T1	T2	T3	(T4, T7) (T5, T8) (T6, T9)	(P4), (P5), (P6)
LOW	T1, T7	T2, T8	T3, T9	(T4, P4) (T5, P5) (T6, P6)	

DRAWING REVISION D REVISION BY SM DATE 9/26/2016

ECO ECO-0109970 APPROVED BY SM DATE 9/26/2016

ECO DESCRIPTION UPDATED TO NEW TEMPLATE

COPYRIGHT REGAL BELOIT AMERICA, INC. ALL RIGHTS RESERVED. PROPRIETARY AND CONFIDENTIAL INFORMATION - THIS DOCUMENT IS THE PROPERTY OF REGAL BELOIT AMERICA, INC. ("OWNER") AND CONTAINS OWNER'S PROPRIETARY INFORMATION. ANY PERSON, CORPORATION OR OTHER FIRM RECEIVING IT IS DEEMED, BY RECEIVING IT, TO AGREE THAT IT, AND/OR ANY PART OF IT, SHALL NOT BE DISCLOSED TO ANY PERSON, CORPORATION OR OTHER ENTITY, DUPLICATED, AND/OR USED, EXCEPT AS EXPRESSLY APPROVED IN WRITING IN ADVANCE BY OWNER. THIS DOCUMENT SHALL BE RETURNED TO OWNER UPON REQUEST. IT MAY BE SUBJECT TO CERTAIN RESTRICTIONS UNDER APPLICABLE EXPORT CONTROL LAWS AND REGULATIONS.

TOLERANCES UNLESS OTHERWISE SPECIFIED:
 DEC. INCH mm ANGLE
 .X ±0.1 [±2.5] ±0.5°
 .XX ±0.01 [±0.25]
 .XXX ±0.005 [±0.127]
 .XXXX ±0.0005 [±0.0127]
 REMOVE BURRS & BREAK SHARP EDGES: .003/.015 [.076/.381] X 45°
 CORNER FILLETS: R.02 [.51]
 MACHINED SURFACES: 125/3.2 INCH/mm
 mm SHOWN IN [BRACKETS]

DRAWN BY ADH 02/25/74

DATE

APPROVED BY JCW 03/11/74

DATE

REFERENCE

THIRD ANGLE PROJECTION



DESCRIPTION
CONN DIAGRAM-EXTERNAL
 TYPE "T" W/PROTECTOR

MATERIAL DECAL - 004023 PROCESS/FINISH ECO LAB

SIZE A DRAWING NUMBER 00502001 SHEET 1 OF 1



Motor Load Data						LR	
Load	0%	25%	50%	75%	100%	115%	125%
Current (Amps)	0.74	0.74	0.75	0.78	0.80	0.85	0.88
Torque (ft-lb)	0.00	0.25	0.50	0.75	1.00	1.20	1.30
RPM	1800	1780	1770	1750	1725	1,720	1715
Efficiency (%)		34.5	51.0	60.0	66.0	67.5	68.0
P.F. (%)	20.0	30.5	40.5	50.0	56.0	63.0	65.5

Motor Speed Data						Information Block																					
LR	Pull-Up	BD	Rated	Idle		HP	Sync. RPM	Frame	Enclosure	Construction	Voltage	Frequency	Design	LR Code letter	Service Factor	Temp Rise @ FL	Duty	Ambient	Elevation	Rotor/Shaft wk ²	Ref Wdg	Sound Pressure @ 1M	VFD Rating	Outline Dwg	Conn. Diag	Additional Specifications:	
0	900	1500	1725	1800		0.3	1800	56	DP	TDR	230/460	60	B	N	1.15	30	CONT	40	1,000	0.04	TE48414 DR	56	NONE	031624-600	005020.01		
Current (Amps)	4.7	4.0	3.2	0.80	0.74																						
Torque (ft-lb)	4.3	3.9	4.7	1.00	0.00																						

