

PRODUCT INFORMATION PACKET



Model No: C4C17DK19H

Catalog No: 101650.00

Obsolete in the US, replaced by E119350.00 ..3/4HP..1725RPM.S56.DP.115/208-230V.1PH.60HZ.CONT.40C.1.25SF.RIGID.C4C17DK19H.....GENERAL PURPOSE.NOT.....

Open Drip Proof (ODP)



Regal and Leeson are trademarks of Regal Beloit Corporation or one of its affiliated companies.

©2018 Regal Beloit Corporation, All Rights Reserved. MC017097E



Product Information Packet: Model No: C4C17DK19H, Catalog No:101650.00 Obsolete in the US, replaced by E119350.00 ..3/4HP..1725RPM.S56.DP.115/208-230V.1PH.60HZ.CONT.40C.1.25SF.RIGID.C4C17DK19H.....GENERAL PURPOSE.NOT.....



Nameplate Specifications

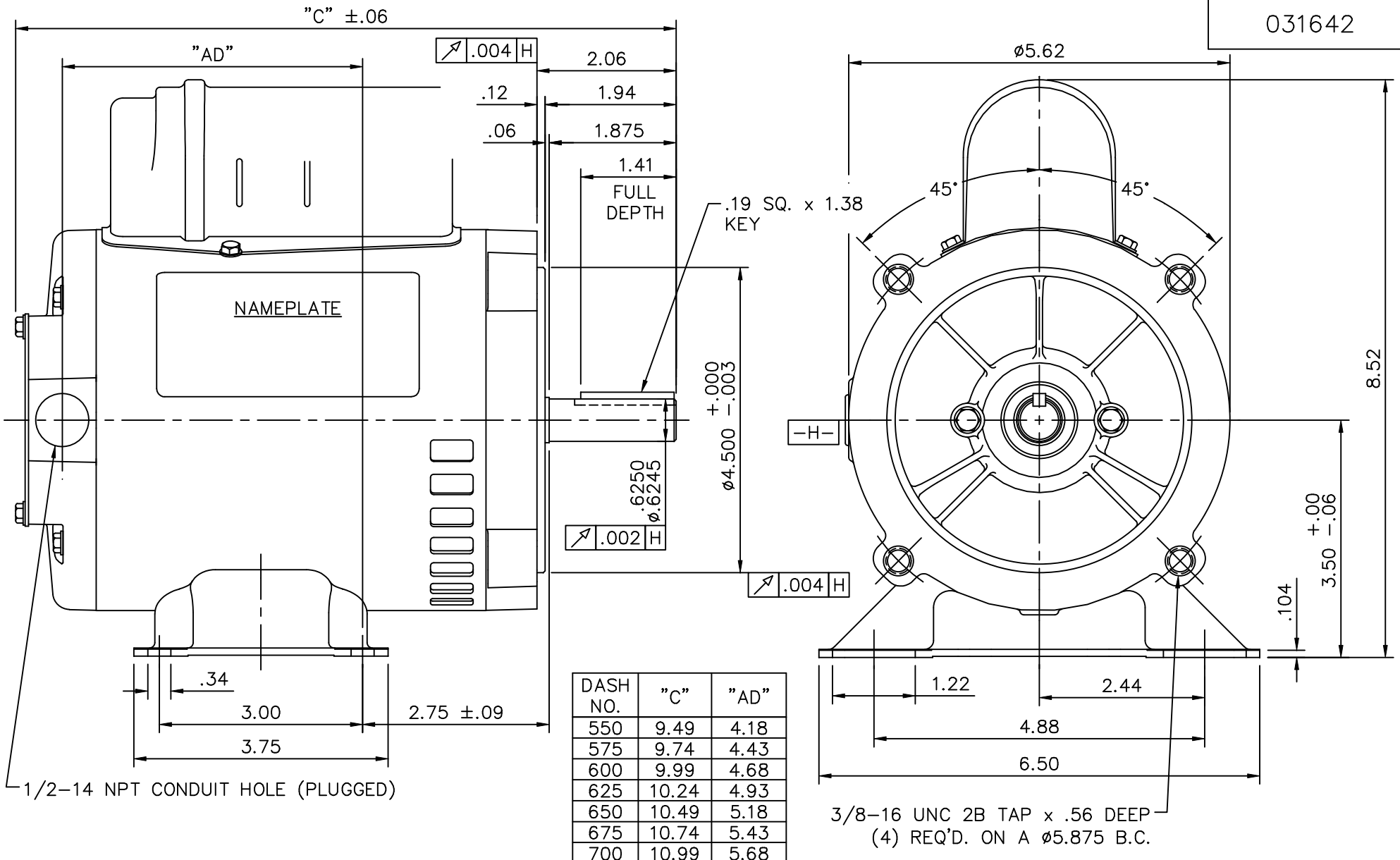
Output HP	0.75 Hp	Output KW	0.56 kW
Frequency	60 Hz	Voltage	115/208-230 V
Current	10.8/5.3-5.4 A	Speed	1725 rpm
Service Factor	1.25	Phase	1
Efficiency	70 %	Duty	Continuous
Insulation Class	B	Design Code	N
KVA Code	K	Frame	S56C
Enclosure	Drip Proof	Overload Protector	No
Ambient Temperature	40 °C	Drive End Bearing Size	6203
Opp Drive End Bearing Size	6203	UL	Recognized
CSA	Y	CE	N
IP Code	22		

Technical Specifications

Electrical Type	Capacitor Start Induction Run	Starting Method	Across The Line
Poles	4	Rotation	Selective Counterclockwise
Mounting	Rigid base	Motor Orientation	HORIZONTAL
Drive End Bearing	BALL	Opp Drive End Bearing	BALL
Frame Material	Rolled Steel	Shaft Type	NEMA 56
Overall Length	10.99 in	Frame Length	7.00 in
Shaft Diameter	0.625 in	Shaft Extension	1.88 in
Assembly/Box Mounting	F1 ONLY		
Outline Drawing	031642-700	Connection Diagram	005005.44

This is an uncontrolled document once printed or downloaded and is subject to change without notice. Date Created: 10/15/2018

031642



ELECTRIC MOTORS
GEARMOTORS
AND DRIVES

DRAWN PG 7/26/01
CHK
APPD
SCALE 1=2
REF 031070
FMF
PREV

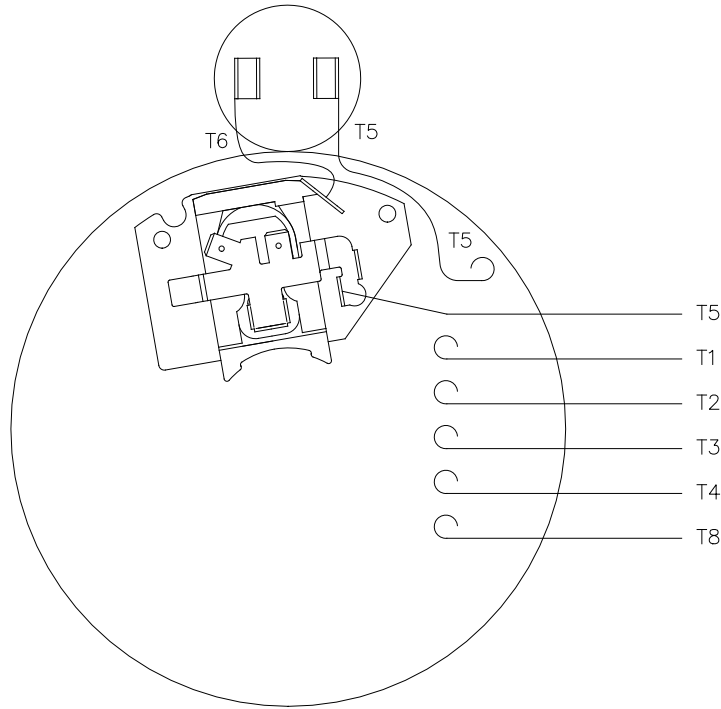
TITLE
OUTLINE - S56C FRAME
RIGID "C" FACE - DRIP PROOF
MAT'L. 1 PHASE
FINISH

01 REVISED CALLOUT FOR GD&T KMM 6/6/02
NO. REVISION BY & DATE

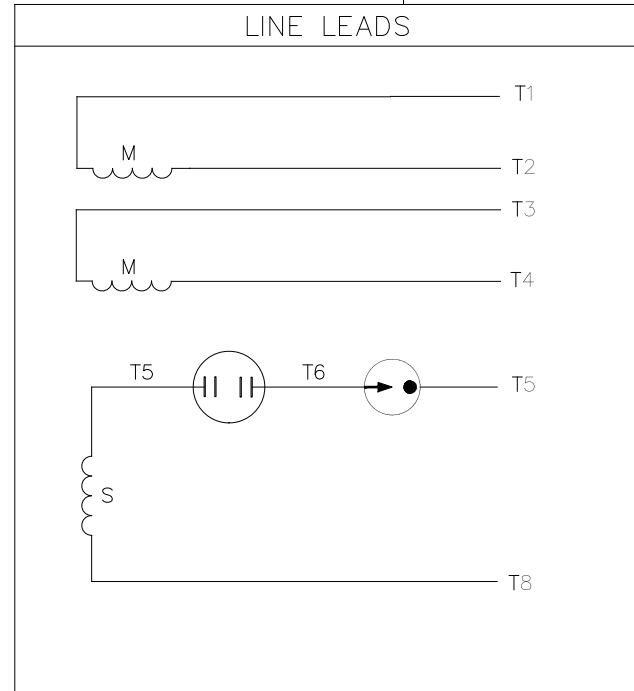
RFP CAD FILE 031642 SIZE A DRAWING NO. 031642 REV. 01
DIST

THIS DRAWING IN DESIGN AND DETAIL IS OUR PROPERTY AND MUST NOT BE USED EXCEPT IN CONNECTION WITH OUR WORK ALL RIGHTS OF DESIGN AND INVENTION ARE RESERVED THIS IS AN ELECTRONICALLY GENERATED DOCUMENT - DO NOT SCALE THIS PRINT


005005-44



VIEW FROM OUTSIDE OF MOTOR AT SWITCH END



	ROTATION FACING LEAD END	L1	L2	JOIN
HIGH VOLT	C.C.W.	T1	T4, T5	T2, T3 T8
	C.W.	T1	T4, T8	T2, T3 T5
LOW VOLT	C.C.W.	T1 T3, T8	T2, T4 T5	
	C.W.	T1 T3, T5	T2, T4 T8	

				TOLERANCES UNLESS OTHERWISE SPECIFIED			 Regal Beloit America, Inc.	
				DEC.	INCHES	METRIC		
				.X	±.1	±2.5	DRAWN PG 5/7/01	TITLE EXTERNAL WIRING DIAGRAM TYPE "C" W/O PROTECTOR
				.XX	±.01	±.25	APPR.	MAT'L. DUAL VOLTAGE - DUAL ROTATION
01	MOVED T5 TO "INSIDE" SWITCH TERMINAL	PG 8/2/01		.XXX	±.005	±.127	R.F.P.	
NO.	REVISION	BY & DATE	CH'K'D.	.XXXX	±.0005	±.0127	SCALE 5=8	
THIS DRAWING IN DESIGN AND DETAIL IS OUR PROPERTY AND MUST NOT BE USED EXCEPT IN CONNECTION WITH OUR WORK ALL RIGHTS OF DESIGN AND INVENTION ARE RESERVED THIS IS AN ELECTRONICALLY GENERATED DOCUMENT - DO NOT SCALE THIS PRINT				FRACTIONS	±1/64		REF. 005005-01	FINISH
				ANGLES	±1/2'		FMF 100006	REV. 01



LEESON ELECTRIC CORPORATION
 TYPICAL PERFORMANCE CURVE for AC MOTOR

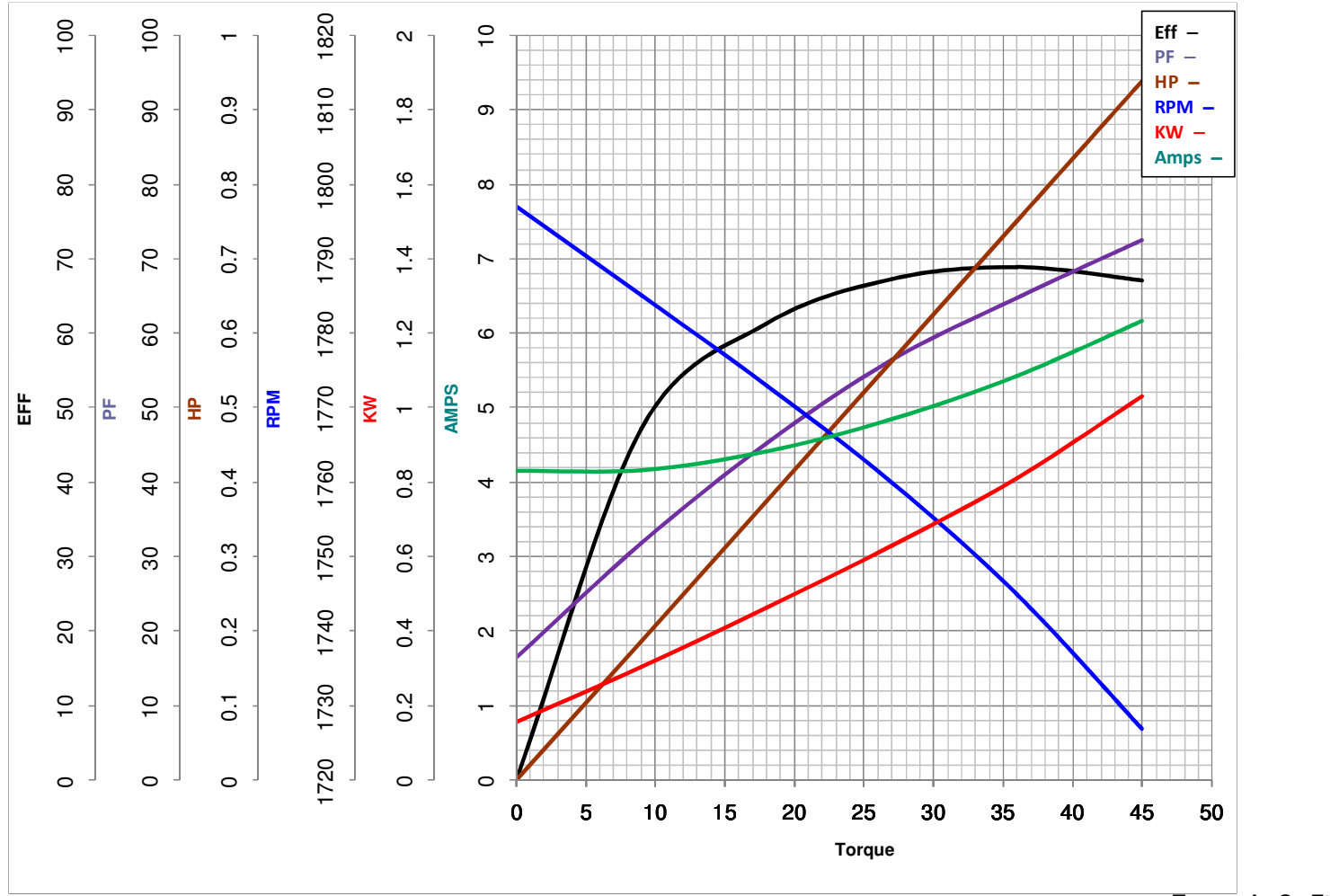
Curve at 230 Volts HP 0.76 PHASE 1
60 HZ
0.75 HP VOLTS 115/208-230

Model No 101650.00

Catalog No 101650.00

HZ 60

RPM 1725



FL TORQUE	<u>36</u> Oz.Ft	FL AMPS	<u>10.8/5.3-5.4</u>
BD TORQUE	<u>83.6</u> Oz.Ft	PU TORQUE	<u>82.4</u> Oz.Ft
LR TORQUE	<u>114</u> Oz.Ft	LR AMPS	<u>27.3</u>
WINDING	CE484207-3	Date	<u>3/13/2018</u>