

PRODUCT INFORMATION PACKET



Model No: 101981.00
Catalog No: 101981.00
0.25 HP General Purpose Motor, 3 phase, 1800 RPM, 208-230/460 V, 48C Frame, TEFC
Three Phase TEFC Motors



Regal and Leeson are trademarks of Regal Beloit Corporation or one of its affiliated companies.
©2020 Regal Beloit Corporation, All Rights Reserved. MC017097E





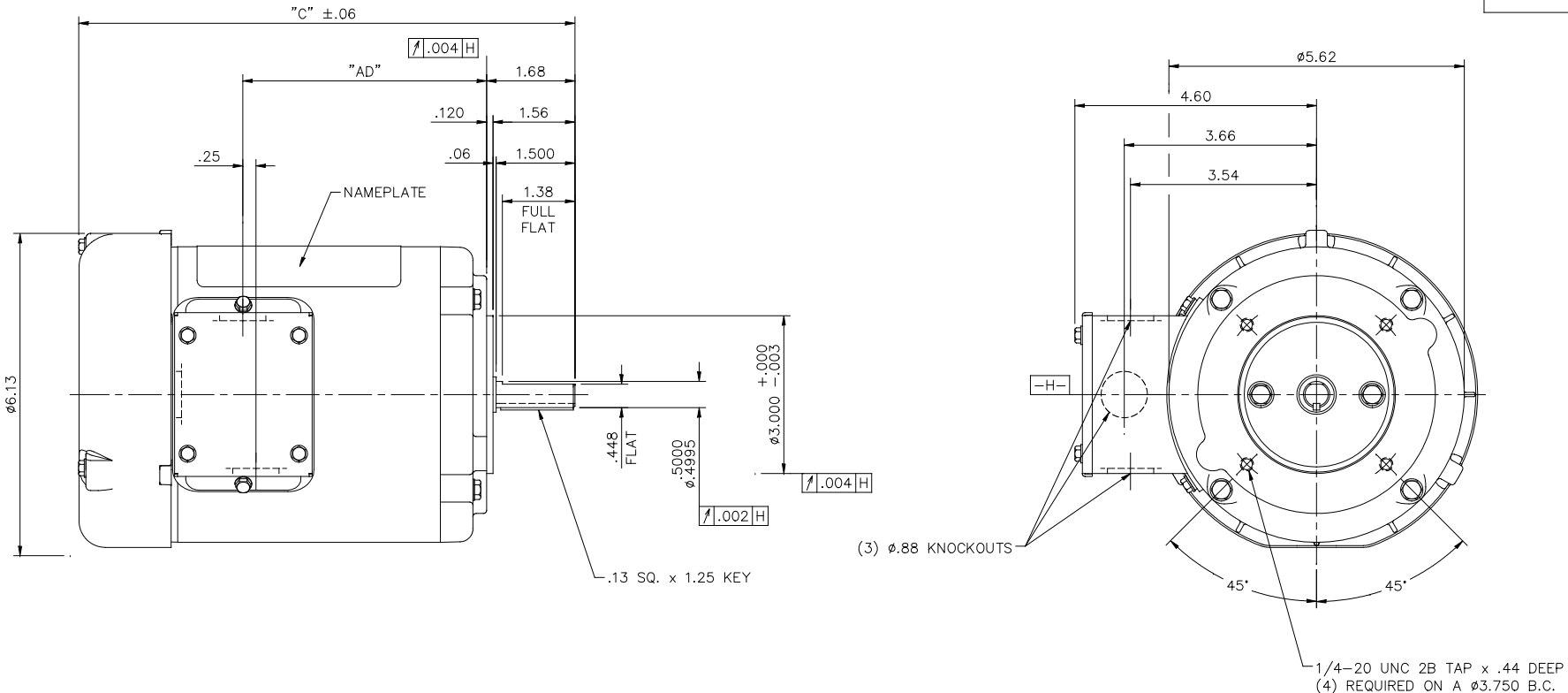
Nameplate Specifications

Output HP	0.25 Hp	Output KW	0.19 kW
Frequency	60 Hz	Voltage	208-230/460 V
Current	1.2-1.4/0.70 A	Speed	1725 rpm
Service Factor	1.15	Phase	3
Efficiency	58 %	Power Factor	59
Duty	Continuous	Insulation Class	B
Design Code	B	KVA Code	M
Frame	48C	Enclosure	Totally Enclosed Fan Cooled
Thermal Protection	No	Ambient Temperature	40 °C
Drive End Bearing Size	6203	Opp Drive End Bearing Size	6203
UL	Recognized	CSA	Y
CE	N	IP Code	43

Technical Specifications

Electrical Type	Squirrel Cage Induction Run	Starting Method	Across The Line
Poles	4	Rotation	Reversible
Resistance Main	20.31 Ohms	Mounting	Round
Motor Orientation	Horizontal	Drive End Bearing	Ball
Opp Drive End Bearing	Ball	Frame Material	Rolled Steel
Shaft Type	NEMA 48	Overall Length	8.94 in
Frame Length	4.50 in	Shaft Diameter	0.500 in
Shaft Extension	1.5 in	Assembly/Box Mounting	F1 ONLY
Outline Drawing	031699-450	Connection Drawing	005010.01

This is an uncontrolled document once printed or downloaded and is subject to change without notice. Date Created:14/10/2020



DASH NO.	"C"	"AD"
450	8.94	4.14
475	9.19	4.39
500	9.44	4.64
525	9.69	4.89
550	9.94	5.14
575	10.19	5.39
600	10.44	5.64
625	10.69	5.89
650	10.94	6.14
675	11.19	6.39

GASKETS THROUGHOUT

		TOLERANCES UNLESS SPECIFIED		REGAL™ Regal Beloit America, Inc.		DRAWN PG 7/12/02	
		DEC.	INCHES			CHK	
		.X	±.1	TITLE		APPD	
		.XX	±.03	OUTLINE - 48C FRAME		SCALE	1=2
		.XXX	±.005	"C" FACE MOUNT - TEFC		REF	031634
1	UPDATED LOGO	UD	3/8/19	.XXXX	±.0005	MAT'L.	3 PHASE
NO.	REVISION	BY & DATE	CHK	ANG	±1/2"	FINISH	PREV
THIS DRAWING IN DESIGN AND DETAIL IS OUR PROPERTY AND MUST NOT BE USED EXCEPT IN CONNECTION WITH OUR WORK ALL RIGHTS OF DESIGN AND INVENTION ARE RESERVED THIS IS AN ELECTRONICALLY GENERATED DOCUMENT - DO NOT SCALE THIS PRINT				RFP		CAD FILE	031699
				DIST		SIZE	DRAWING NO.
						B	031699
							REV.
							1

005010-01

VIEW FROM OUTSIDE OF MOTOR AT SWITCH END.



VOLTAGE	L1	L2	L3	JOIN & INSULATE
HIGH	T1	T2	T3	(T4,T7) (T5,T8) (T6,T9)
LOW	T1,T7	T2,T8	T3,T9	T4,T5,T6

				TOLERANCES UNLESS SPECIFIED		Regal Beloit America, Inc.		DRAWN RDW 04/12/02				
				DEC.	INCHES			CHK				
				.X	±.1			APPD				
				.XX	±.01			SCALE 1=1				
				.XXX	±.005	TITLE		REF FIG.2-51				
A	UPDATED TO REGAL LOGO			SAJ	06/26/15	AJY	.XXXX	±.0005	MAT'L. DECAL - 004014	FMF		
NO.	REVISION			BY & DATE	CHK	ANG	±1/2"	FINISH	PREV			
THIS DRAWING IN DESIGN AND DETAIL IS OUR PROPERTY AND MUST NOT BE USED EXCEPT IN CONNECTION WITH OUR WORK ALL RIGHTS OF DESIGN AND INVENTION ARE RESERVED THIS IS AN ELECTRONICALLY GENERATED DOCUMENT - DO NOT SCALE THIS PRINT				RFP	04/12/02		CAD FILE	00501001		SIZE	DRAWING NO.	REV.
				DIST	BRF-NLV			A	005010-01		A	

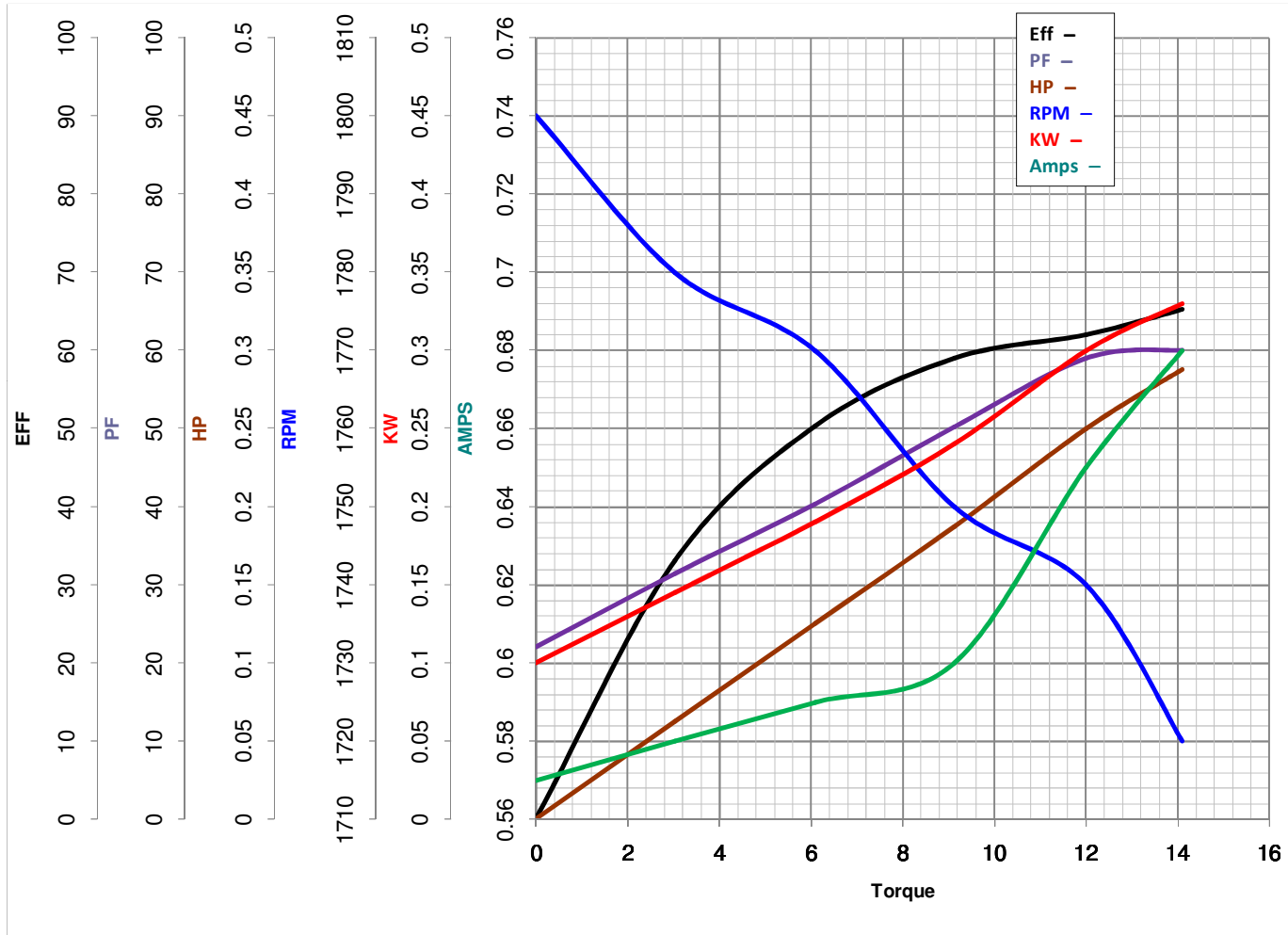


LEESON ELECTRIC CORPORATION
 TYPICAL PERFORMANCE CURVE for AC MOTOR

Model No 101981.00

Catalog No 101981.00

Curve at 460 Volts HP 0.25 PHASE 3
60 HZ
0.25 HP VOLTS 208-230/460
 HZ 60 RPM 1725



Torque in Oz.Ft

FL TORQUE 12 Oz.Ft
 BD TORQUE 56.0 Oz.Ft
 LR TORQUE 48 Oz.Ft

FL AMPS 1.2-1.4/.7
 PU TORQUE 46.0 Oz.Ft
 LR AMPS 3.3

WINDING TE48413-3

Date 5/23/2018