

PRODUCT INFORMATION PACKET



Model No: 102933.00
Catalog No: 102933.00
0.33 HP General Purpose Motor, 1 phase, 1800 RPM, 115/208-230 V, 56 Frame, TEFC
Single Phase TEFC Motors



Regal and Leeson are trademarks of Regal Beloit Corporation or one of its affiliated companies.
©2020 Regal Beloit Corporation, All Rights Reserved. MC017097E





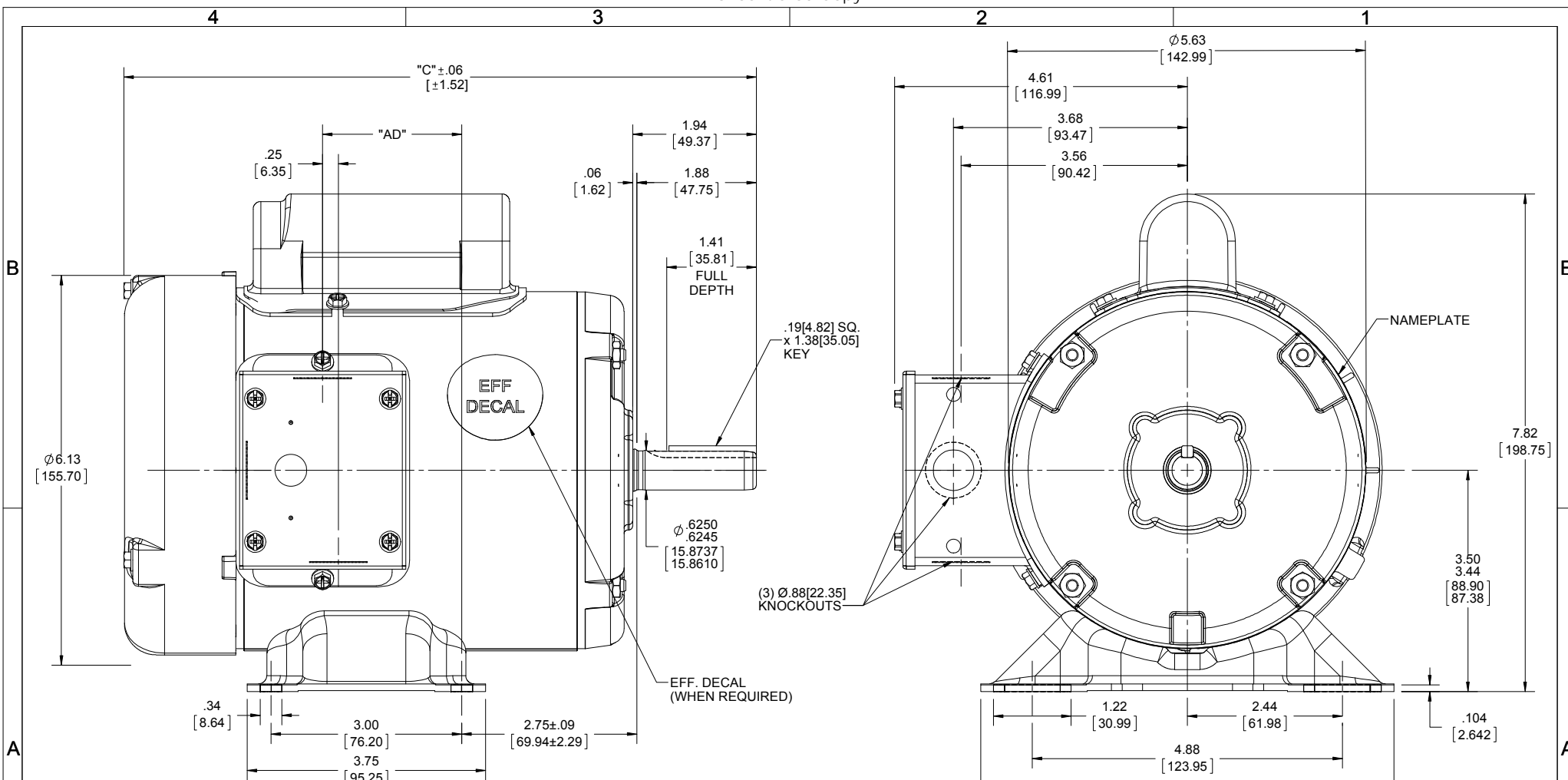
Nameplate Specifications

Output HP	0.33 Hp	Output KW	0.25 kW
Frequency	60 Hz	Voltage	115/208-230 V
Current	6.2/2.9-3.1 A	Speed	1725 rpm
Service Factor	1.15	Phase	1
Efficiency	61 %	Power Factor	58
Duty	Continuous	Insulation Class	B
Design Code	N	KVA Code	M
Frame	S56	Enclosure	Totally Enclosed Fan Cooled
Thermal Protection	Manual	Ambient Temperature	40 °C
Drive End Bearing Size	6203	Opp Drive End Bearing Size	6203
UL	Recognized	CSA	Y
CE	N	IP Code	43

Technical Specifications

Electrical Type	Capacitor Start Induction Run	Starting Method	Across The Line
Poles	4	Rotation	Selective Counterclockwise
Resistance Main	1.519 Ohms	Mounting	Rigid base
Motor Orientation	Horizontal	Drive End Bearing	Ball
Opp Drive End Bearing	Ball	Frame Material	Rolled Steel
Shaft Type	NEMA 56	Overall Length	10.44 in
Frame Length	5.75 in	Shaft Diameter	0.625 in
Shaft Extension	1.88 in	Assembly/Box Mounting	F1 ONLY
Outline Drawing	031631-575	Connection Drawing	005003.52

This is an uncontrolled document once printed or downloaded and is subject to change without notice. Date Created:14/10/2020




DASH NO.	"C"	"AD"
500	9.70[246.38]	1.94[49.27]
525	9.95[252.73]	2.19[55.62]
550	10.20[259.08]	2.44[61.97]
600	10.45[265.43]	2.69[68.32]
625	10.70[271.78]	2.94[74.67]
650	11.20[284.48]	3.44[87.37]
675	11.45[290.83]	3.69[93.72]

NOTE:-
1) GASKET THROUGHOUT.

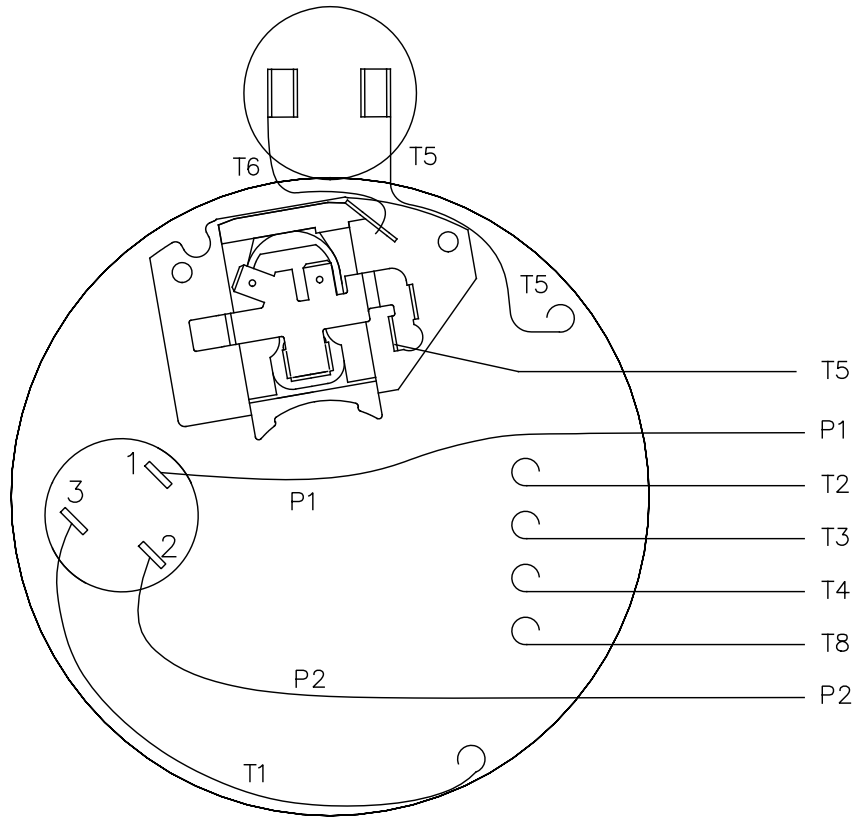
DRAWING REVISION C	REVISION BY A SUPPANAVAR	DATE 10/24/2018
ECO ECO-0163252	APPROVED BY D SURYAWANSHI	DATE 03-08-2019
ECO DESCRIPTION OUTLINE CONVERSION PROJECT		
<small>COPYRIGHT REGAL BELOIT AMERICA, INC. ALL RIGHTS RESERVED. PROPRIETARY AND CONFIDENTIAL INFORMATION - THIS DOCUMENT IS THE PROPERTY OF REGAL BELOIT AMERICA, INC. (OWNER) AND CONTAINS OWNERS PROPRIETARY INFORMATION. ANY PERSON, CORPORATION OR OTHER FIRM RECEIVING IT IS DEEMED, BY RECEIVING IT, TO AGREE THAT IT, AND/OR ANY PART OF IT, SHALL NOT BE DISCLOSED TO ANY PERSON, CORPORATION OR OTHER ENTITY, DUPLICATED, AND/OR USED, EXCEPT AS EXPRESSLY APPROVED IN WRITING IN ADVANCE BY OWNER. THIS DOCUMENT SHALL BE RETURNED TO OWNER UPON REQUEST. IT MAY BE SUBJECT TO CERTAIN RESTRICTIONS UNDER APPLICABLE EXPORT CONTROL LAWS AND REGULATIONS.</small>		

TOLERANCES UNLESS OTHERWISE SPECIFIED:			
DEC.	INCH	mm	ANGLE
.X	±0.1	[±2.5]	±0.5°
.XX	±0.03	[±0.76]	
.XXX	±0.005	[±0.127]	
.XXXX	±0.0005	[±0.0127]	
REMOVE BURRS & BREAK SHARP			
EDGES: .003/.015 [0.076/.381] X 45°			
CORNER FILLETS: R.02 [51]			
MACHINED SURFACES: 125/3.2			
mm SHOWN IN [BRACKETS]			

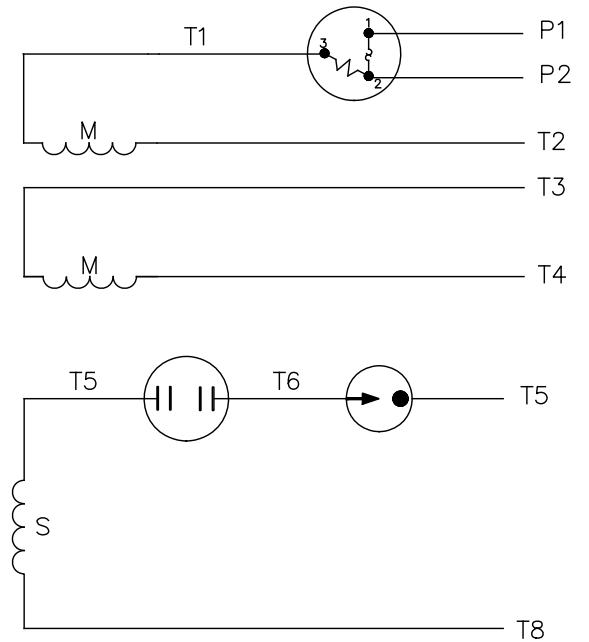
DRAWN BY PG	DATE 5/30/01
APPROVED BY	DATE
REFERENCE 030391	THIRD ANGLE PROJECTION

 Regal Beloit America, Inc.	
OUTLINE S56 FRAME RIGID MOUNT - TEFC	
MATERIAL	PROCESS/FINISH
SIZE B	DRAWING NUMBER 031631
SHEET 1 OF 1	

VIEW FROM OUTSIDE OF MOTOR AT SWITCH END.



LINE LEADS



	ROTATION FACING LEAD END	L1	L2	JOIN	INSULATE SEPARATELY
HIGH VOLT	C.C.W.	P1	T4 T5	T2, T3 T8	P2
	C.W.	P1	T4 T8	T2, T3 T5	P2
LOW VOLT	C.C.W.	P1	T2, T4 T5	P2, T3 T8	--
	C.W.	P1	T2, T4 T8	P2, T3 T5	--

		TOLERANCES UNLESS SPECIFIED		REGAL™ Regal Beloit America, Inc.		DRAWN PG 6/8/01			
		DEC.	INCHES			CHK			
		.X	±.1			APPD			
		.XX	±.01	TITLE		SCALE 1=1			
02	CHANGED CAMPANY LOGO ONLY	AS	11/08/16	.XXX	±.005	REF 005003-01			
01	MOVED T5 TO "INSIDE" SWITCH TERMINAL	PG	8/2/01	CD	.XXXX ±.0005	MAT'L. DUAL VOLTAGE - DUAL ROTATION			
NO.	REVISION	BY & DATE	CHK	ANG	±1/2"	FINISH DECAL - 004011			
THIS DRAWING IN DESIGN AND DETAIL IS OUR PROPERTY AND MUST NOT BE USED EXCEPT IN CONNECTION WITH OUR WORK ALL RIGHTS OF DESIGN AND INVENTION ARE RESERVED THIS IS AN ELECTRONICALLY GENERATED DOCUMENT - DO NOT SCALE THIS PRINT				RFP	CAD FILE	00500352	SIZE	DRAWING NO.	REV.
				DIST			A	005003-52	02



CERTIFICATION DATA SHEET

1051 CHEYENNE AVE.
 GRAFTON, WI 53024
 PH. 262-377-8810

CONN. DIAGRAM: 005003.52

CATALOG #: 102933.00

OUTLINE: 031631-575

MOUNTING: F1 ONLY

WINDING #: CE484242 FR 3 C

TYPICAL MOTOR PERFORMANCE DATA

HP	KW	SYNC. RPM	F.L. RPM	FRAME	ENCLOSURE	KVA CODE	DESIGN
1/3	0.25	1800	1725	S56	TEFC	M	N

PH	Hz	VOLTS	AMPS	START TYPE	DUTY	INSL	S.F.	AMB°C
1	60	115/208-230	6.2/2.9-3.1	ACROSS THE LINE	CONTINUOUS	B3	1.15	40

FULL LOAD EFF:	61	3/4 LOAD EFF:	55.8	1/2 LOAD EFF:	47.1	GTD. EFF		ELEC. TYPE
FULL LOAD PF:	58	3/4 LOAD PF:	50.1	1/2 LOAD PF:	40.9	57.5	CAP START	IND RUN

F.L. TORQUE	LOCKED ROTOR AMPS	L.R. TORQUE	B.D. TORQUE	F.L. RISE°C
15.98 OZ-FT	29 / 14.5	64.53 OZ-FT	409 %	48.88 OZ-FT
				310 %
				53.9

SOUND PRESSURE @ 3 FT.	SOUND POWER	ROTOR WK^2	MAX. WK^2	SAFE STALL TIME	STARTS / HOUR	APPROX. MOTOR WGT
0 DBA	10 DBA	0 LB-FT^2	0 LB-FT^2	0 SEC.	0	22 LBS.

*** SUPPLEMENTAL INFORMATION ***

DE BRACKET TYPE	ODE BRACKET TYPE	MOUNT TYPE	ORIENTATION	SEVERE DUTY	HAZARDOUS LOCATION	DRIP COVER	SCREENS	PAINT
STANDARD	STANDARD	RIGID	HORIZONTAL	FALSE	NONE	FALSE	NONE	BLUE - LEESON (ENAMEL)

BEARINGS DE ODE	GREASE	SHAFT TYPE	SPECIAL DE	SPECIAL ODE	SHAFT MATERIAL	FRAME MATERIAL
BALL BALL	MULTEMP SRL	T	NONE	NONE	1144 STRESSPROOF (C-223)	ROLLED STEEL

THERMO-PROTECTORS				THERMISTORS	CONTROL	SPACE HEATERS
THERMOSTATS	PROTECTORS	WDG RTDS	BRG RTDS	NONE	FALSE	NONE
NONE	MANUAL	NONE	NONE			

* N

INVERTER TORQUE: NONE
 INV. HP SPEED RANGE: NONE

ENCODER:	NONE	NONE	PPR
BRAKE:	NONE	NONE	P/N NONE
	NONE	NONE	NONE
	FT-LB	V	NONE
			Hz

O
 T
 E
 S

