

PRODUCT INFORMATION PACKET



Model No: C4T34DK9B

Catalog No: 102971.00

Obsolete in the US, replaced by E102971.00 -
3/4HP..3450/2850RPM.S56.DP.230/460V.3PH.60/50HZ.CONT.40C.1.25/1.25SF.RIGID
C.C4T34DK9B.....GENERAL PURPOSE.NOT.....

Open Drip Proof (ODP)



Regal and Leeson are trademarks of Regal Beloit Corporation or one of its affiliated companies.

©2018 Regal Beloit Corporation, All Rights Reserved. MC017097E



Product Information Packet: Model No: C4T34DK9B, Catalog No:102971.00 Obsolete in the US, replaced by E102971.00 - 3/4HP..3450/2850RPM.S56.DP.230/460V.3PH.60/50HZ.CONT.40C.1.25/1.25SF.RIGID C.C4T34DK9B.....GENERAL PURPOSE.NOT.....



Nameplate Specifications

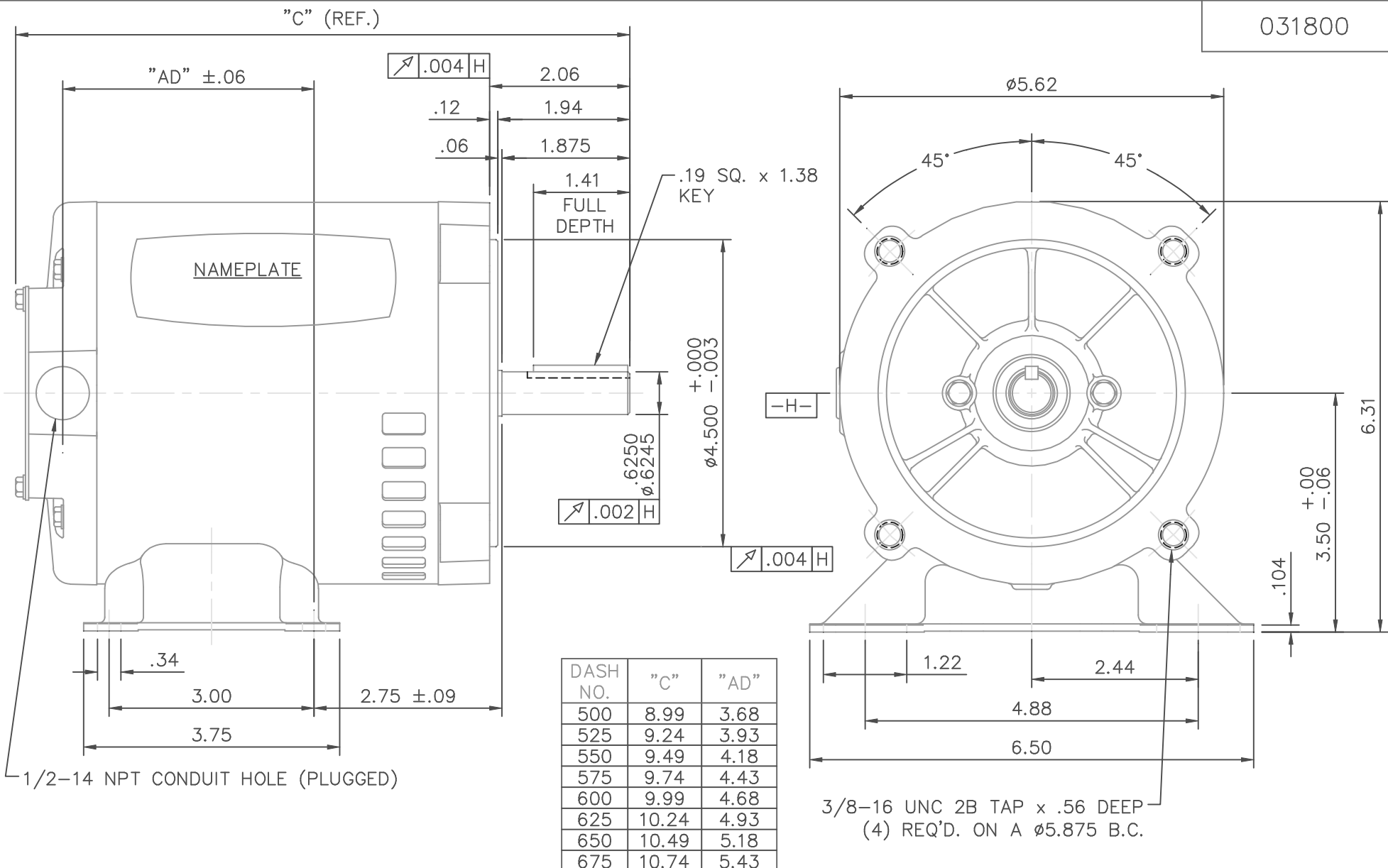
Output HP	0.75 Hp	Output KW	0.56 kW
Frequency	60 Hz	Voltage	230/460 V
Current	2.4/1.2 A	Speed	3450 rpm
Service Factor	1.25	Phase	3
Efficiency	79 %	Duty	Continuous
Insulation Class	B	Design Code	NO DESIGN CODE
KVA Code	K	Frame	S56C
Enclosure	Drip Proof	Overload Protector	No
Ambient Temperature	40 °C	Drive End Bearing Size	6203
Opp Drive End Bearing Size	6203	UL	Recognized
CSA	Y	CE	N
IP Code	22		

Technical Specifications

Electrical Type	Squirrel Cage Induction Run	Starting Method	Across The Line
Poles	2	Rotation	Reversible
Mounting	Rigid base	Motor Orientation	HORIZONTAL
Drive End Bearing	BALL	Opp Drive End Bearing	BALL
Frame Material	Rolled Steel	Shaft Type	NEMA 56
Overall Length	9.74 in	Frame Length	5.75 in
Shaft Diameter	0.625 in	Shaft Extension	1.88 in
Assembly/Box Mounting	F1 ONLY		
Outline Drawing	031800-575	Connection Diagram	005010.01

This is an uncontrolled document once printed or downloaded and is subject to change without notice. Date Created: 10/15/2018

031800



DASH NO.	"C"	"AD"
500	8.99	3.68
525	9.24	3.93
550	9.49	4.18
575	9.74	4.43
600	9.99	4.68
625	10.24	4.93
650	10.49	5.18
675	10.74	5.43



ELECTRIC MOTORS
GEARMOTORS
AND DRIVES

DRAWN PG 02/16/05
CHK
APPD PG 02/16/05
SCALE 1=2
REF 031629
FMF 100600.00
PREV

TITLE
OUTLINE - S56C FRAME
RIGID "C" FACE - DRIP PROOF

MAT'L. 3 PHASE
FINISH

NO.	REVISION	BY & DATE	CHK	TOLERANCES UNLESS SPECIFIED	
				DEC.	INCHES
				.X	±.1
				.XX	±.03
				.XXX	±.005
				.XXXX	±.0005
				ANG	±1/2°
			RFP		
			DIST		

CAD FILE	031800	SIZE	A	DRAWING NO.	031800	REV.	
----------	--------	------	---	-------------	--------	------	--

THIS DRAWING IN DESIGN AND DETAIL IS OUR PROPERTY AND MUST NOT BE USED EXCEPT IN CONNECTION WITH OUR WORK ALL RIGHTS OF DESIGN AND INVENTION ARE RESERVED THIS IS AN ELECTRONICALLY GENERATED DOCUMENT - DO NOT SCALE THIS PRINT

005010-01

VIEW FROM OUTSIDE OF MOTOR AT SWITCH END.



VOLTAGE	L1	L2	L3	JOIN & INSULATE
HIGH	T1	T2	T3	(T4,T7) (T5,T8) (T6,T9)
LOW	T1,T7	T2,T8	T3,T9	T4,T5,T6

				TOLERANCES UNLESS SPECIFIED		Regal Beloit America, Inc.		DRAWN RDW 04/12/02				
				DEC.	INCHES			CHK				
				.X	±.1			APPD				
				.XX	±.01			SCALE 1=1				
				.XXX	±.005	TITLE		REF FIG.2-51				
A	UPDATED TO REGAL LOGO			SAJ	06/26/15	AJY	.XXXX	±.0005	MAT'L. DECAL - 004014	FMF		
NO.	REVISION			BY & DATE	CHK	ANG	±1/2"	FINISH	PREV			
THIS DRAWING IN DESIGN AND DETAIL IS OUR PROPERTY AND MUST NOT BE USED EXCEPT IN CONNECTION WITH OUR WORK ALL RIGHTS OF DESIGN AND INVENTION ARE RESERVED THIS IS AN ELECTRONICALLY GENERATED DOCUMENT - DO NOT SCALE THIS PRINT				RFP	04/12/02		CAD FILE	00501001		SIZE	DRAWING NO.	REV.
				DIST	BRF-NLV			A	005010-01		A	



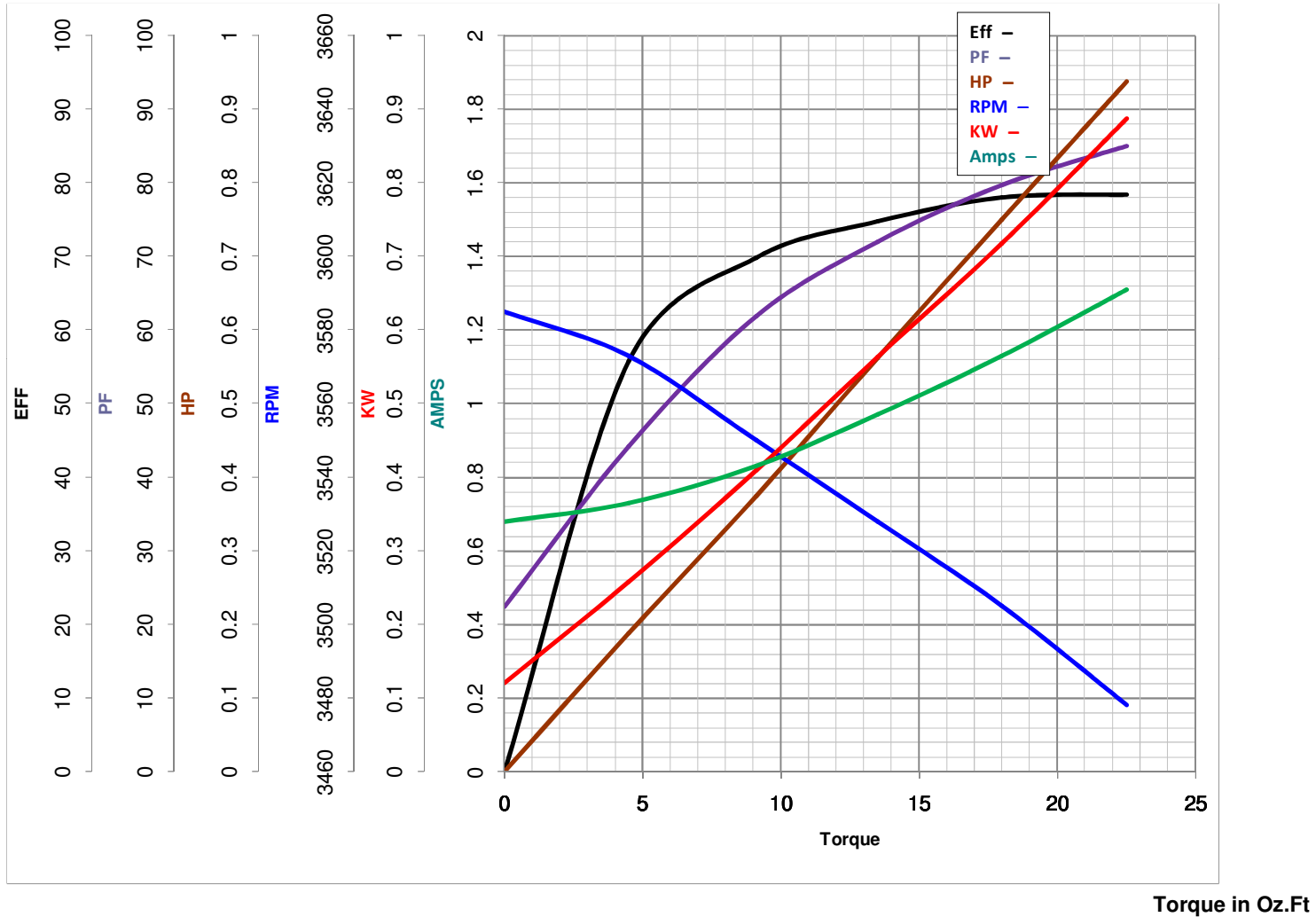
LEESON ELECTRIC CORPORATION
 TYPICAL PERFORMANCE CURVE for AC MOTOR

Model No 102971.00

Catalog No 102971.00

Curve at 460 Volts HP 0.75&0.5 PHASE 3
60 HZ
0.75 HP VOLTS 230/460&190/380

HZ 60&50 RPM 3450&2850



FL TORQUE 18 Oz.Ft
 BD TORQUE 73.3 Oz.Ft
 LR TORQUE 53.6 Oz.Ft

FL AMPS 2.4/1.2
 PU TORQUE 48.0 Oz.Ft
 LR AMPS 8.54

WINDING T5527-3

Date 5/21/2018