

# PRODUCT INFORMATION PACKET



Model No: 103394.00  
Catalog No: 103394.00  
0.50 HP Washdown Motor, 3 phase, 1800 RPM, 208-230/460 V, 48C Frame, TENV  
3 Phase Motors



Regal and Leeson are trademarks of Regal Beloit Corporation or one of its affiliated companies.  
©2020 Regal Beloit Corporation, All Rights Reserved. MC017097E





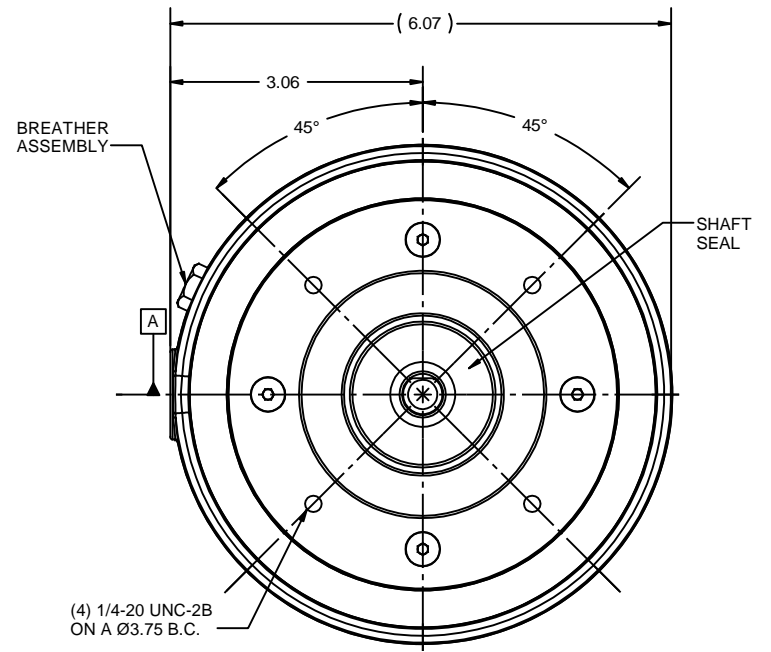
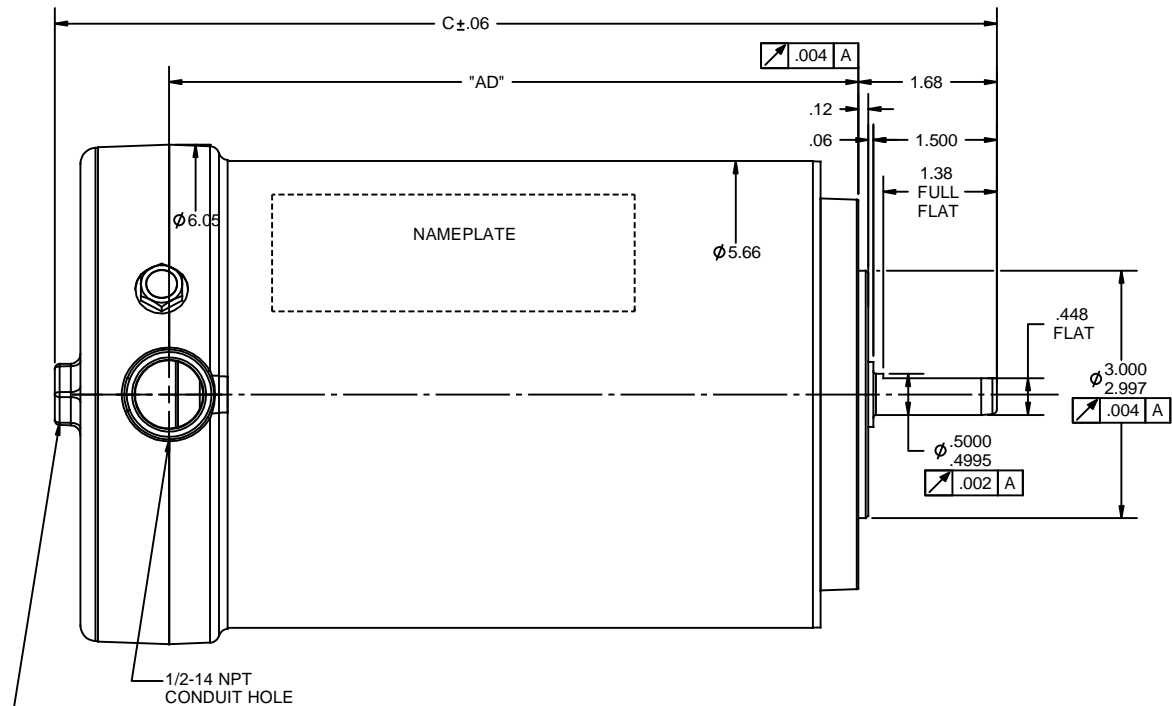
**Nameplate Specifications**

Output HP	0.50 Hp	Output KW	0.37 kW
Frequency	60 Hz	Voltage	208-230/460 V
Current	1.9-1.8/0.90 A	Speed	1725 rpm
Service Factor	1.15	Phase	3
Efficiency	76 %	Power Factor	74
Duty	Continuous	Insulation Class	F
Design Code	B	KVA Code	K
Frame	48C	Enclosure	Totally Enclosed Non Ventilated
Thermal Protection	No	Ambient Temperature	40 °C
Drive End Bearing Size	6204	Opp Drive End Bearing Size	6204
UL	Recognized	CSA	Y
CE	Y	IP Code	56

**Technical Specifications**

Electrical Type	Squirrel Cage Induction Run	Starting Method	Across The Line
Poles	4	Rotation	Reversible
Resistance Main	0 Ohms	Mounting	Round
Motor Orientation	Horizontal	Drive End Bearing	Ball
Opp Drive End Bearing	Ball	Frame Material	Stainless Steel
Shaft Type	NEMA 48	Overall Length	11.58 in
Frame Length	7.25 in	Shaft Diameter	0.500 in
Shaft Extension	1.5 in	Assembly/Box Mounting	F1 ONLY
Outline Drawing	031981-725	Connection Drawing	005010.01

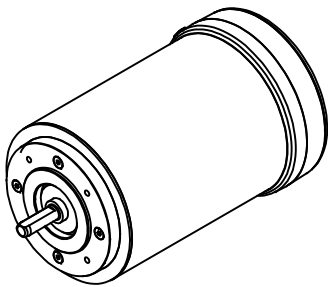
This is an uncontrolled document once printed or downloaded and is subject to change without notice. Date Created:14/10/2020



3/4" HEX DRIVER FOR COVER REMOVAL

1/2-14 NPT CONDUIT HOLE

DASH NO.	"C"	"AD"
525	9.58	6.51
550	9.83	6.76
575	10.08	7.01
600	10.33	7.26
625	10.58	7.51
650	10.83	7.76
675	11.08	8.01
700	11.33	8.26
725	11.58	8.51
750	11.83	8.76



REVISION		BY & DATE	CHK	ANG	±1/2°	FINISH	SIZE	DRAWING NO	REV
05	REVERSED "C" AND "AD" COLUMNS IN TABLE	PG 9/22/2010	DEC				B	031981	05
04	ADDED TABLE WAS MISSING FROM DWG ISAAC 10-3726	SAD 8/24/2010	GWS	x	±.1				
03	ADDED BREATHER ASSEMBLY	VV 3/13/2010	.xx		±.03	TITLE			
02	ADDED ITEM 725 AND 750	VV 3/2/2010	.xxx		±.005	ROUND - C-FACE			
01	OVERALL LENGTH WAS LETTER "B"	VV 2/18/2010	JJK	xxx	±.0005	MATL			



**ELECTRIC MOTORS  
GEARMOTORS  
AND DRIVES**

DRAWN VV 12/25/09  
CHK JJK 12/25/09  
APPR

SCALE 1:4  
REF 031730  
FMF 103418.00

THIRD ANGLE PROJECTION

NETWORK FILE NAME 031981

005010-01

VIEW FROM OUTSIDE OF MOTOR AT SWITCH END.



VOLTAGE	L1	L2	L3	JOIN & INSULATE
HIGH	T1	T2	T3	(T4,T7) (T5,T8) (T6,T9)
LOW	T1,T7	T2,T8	T3,T9	T4,T5,T6

				TOLERANCES UNLESS SPECIFIED		<b>REGAL</b> ™ <b>Regal Beloit America, Inc.</b>		DRAWN RDW 04/12/02			
				DEC.	INCHES			CHK			
				.X	±.1			APPD			
				.XX	±.01	TITLE EXTERNAL WIRING DIAGRAM 3 PHASE W/O PROTECTOR		SCALE 1=1			
				.XXX	±.005			REF FIG.2-51			
A	UPDATED TO REGAL LOGO	SAJ 06/26/15	AJY	.XXXX	±.0005	MAT'L DECAL - 004014		FMF			
NO.	REVISION	BY & DATE	CHK	ANG	±1/2"	FINISH		PREV			
THIS DRAWING IN DESIGN AND DETAIL IS OUR PROPERTY AND MUST NOT BE USED EXCEPT IN CONNECTION WITH OUR WORK ALL RIGHTS OF DESIGN AND INVENTION ARE RESERVED THIS IS AN ELECTRONICALLY GENERATED DOCUMENT - DO NOT SCALE THIS PRINT				RFP	04/12/02	CAD FILE		00501001	SIZE	DRAWING NO.	REV.
				DIST		BRF-NLV		A	005010-01	A	



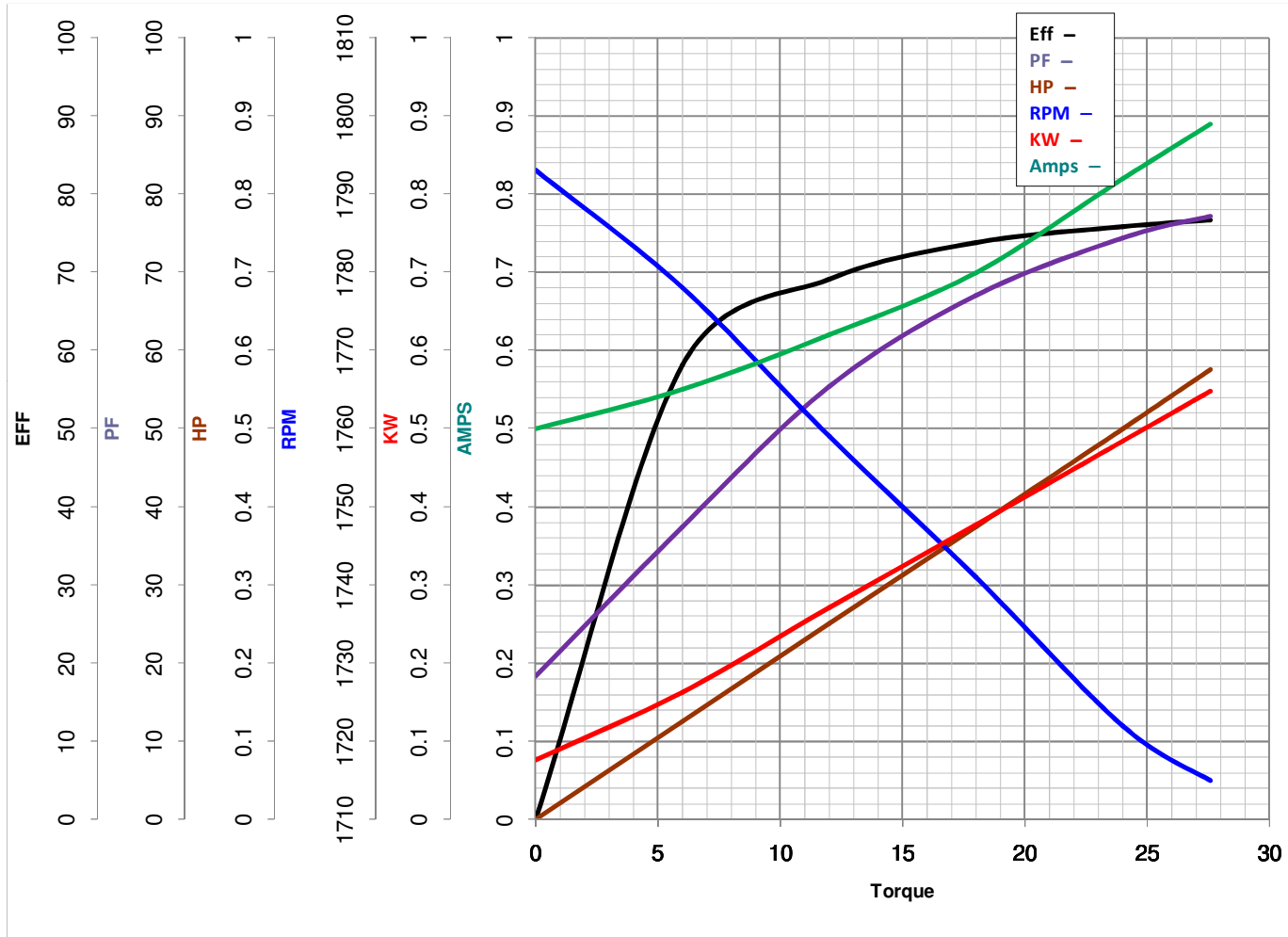
**LEESON ELECTRIC CORPORATION**  
 TYPICAL PERFORMANCE CURVE for AC MOTOR

Model No 103394.00

Catalog No 103394.00

Curve at 460 Volts      HP 0.5&0.5      PHASE 3  
60 HZ  
0.5 HP      VOLTS 208-230/460&190/380

HZ 60&50      RPM 1725&1425



Torque in Oz.Ft

FL TORQUE 24 Oz.Ft  
 BD TORQUE 100.0 Oz.Ft  
 LR TORQUE 106 Oz.Ft

FL AMPS 1.9-1.8/0.9  
 PU TORQUE 100.7 Oz.Ft  
 LR AMPS 5.3

WINDING T55464-3

Date 5/23/2018