

PRODUCT INFORMATION PACKET



Model No: A4P11NZ75A

Catalog No: 103714.00

..1/4HP..1200RPM.48Y.TEAO.115V.1PH.60HZ.CONT.40C.1.0SF.YOKE.....FAN.....

Pedestal Fan



Regal and Leeson are trademarks of Regal Beloit Corporation or one of its affiliated companies.

©2018 Regal Beloit Corporation, All Rights Reserved. MC017097E





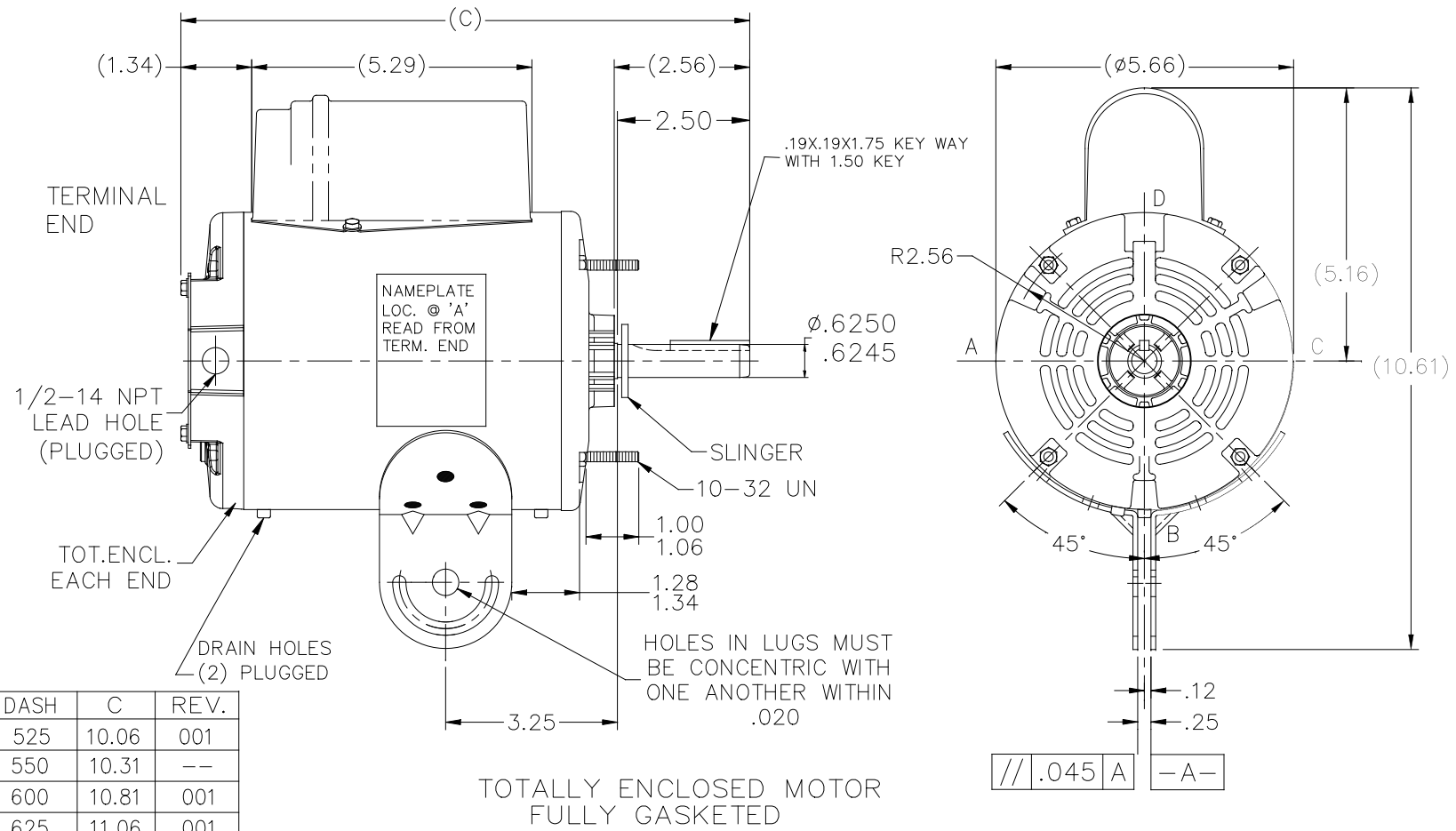
Nameplate Specifications

Output HP	0.25 Hp	Output KW	0.19 kW
Frequency	60 Hz	Voltage	115 V
Current	3.2 A	Speed	1075 rpm
Service Factor	1	Phase	1
Efficiency	59.5 %	Duty	Continuous
Insulation Class	B	Design Code	N
KVA Code	B	Frame	48YZ
Enclosure	Totally Enclosed Air Over	Overload Protector	Automatic Lock Rotor Only
Ambient Temperature	40 °C	Drive End Bearing Size	6203
Opp Drive End Bearing Size	6203	UL	Recognized
CSA	Y	CE	N
IP Code	43		

Technical Specifications

Electrical Type	Permanent Split Capacitor	Starting Method	Across The Line
Poles	6	Rotation	Selective Counterclockwise
Mounting	Round - Swing Arm	Motor Orientation	HORIZONTAL
Drive End Bearing	BALL	Opp Drive End Bearing	BALL
Frame Material	Rolled Steel	Shaft Type	Single Special Extension
Overall Length	10.06 in	Frame Length	5.25 in
Shaft Diameter	0.625 in	Shaft Extension	2.5 in
Assembly/Box Mounting	F1 ONLY		
Outline Drawing	A-SS403995LE-525	Connection Diagram	A-005532-01

SS403995LE



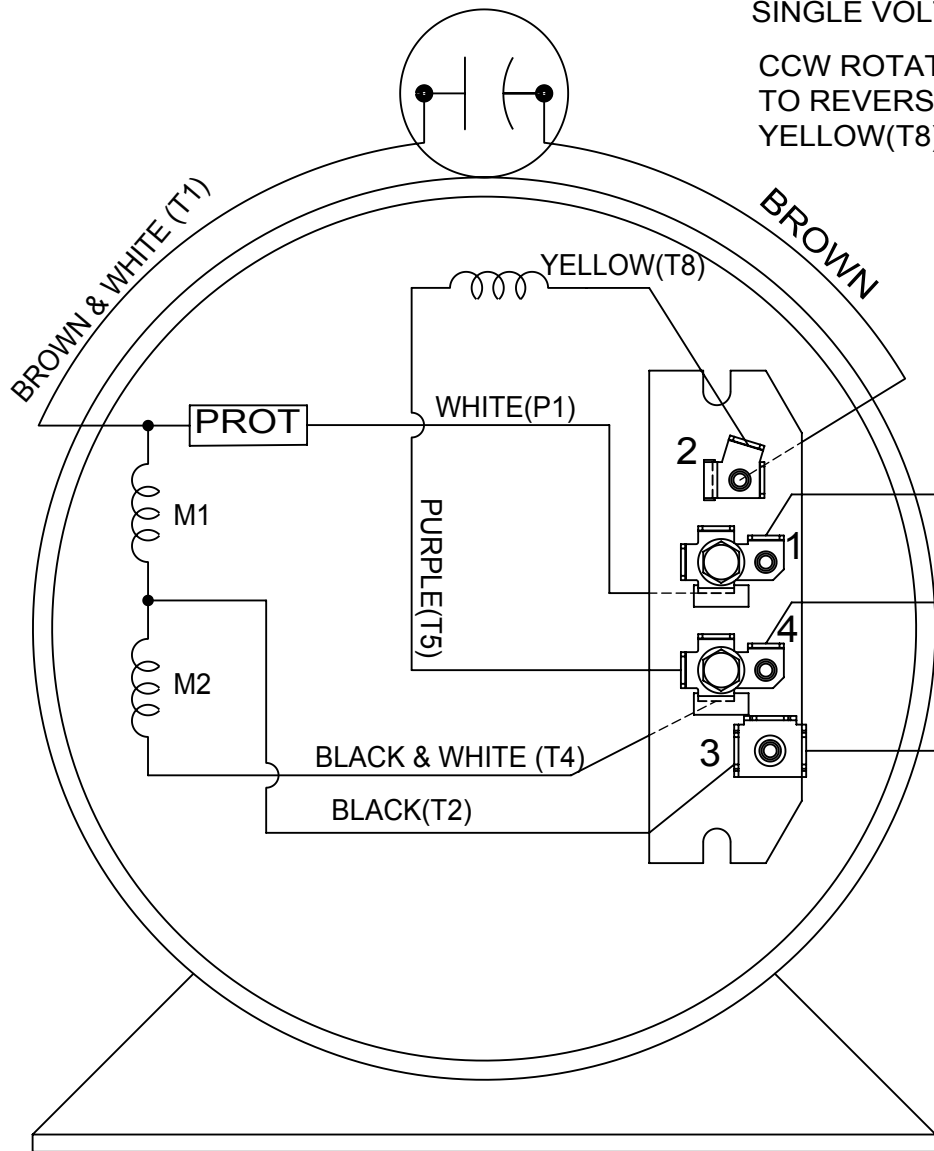
DASH	C	REV.
525	10.06	001
550	10.31	--
600	10.81	001
625	11.06	001

TOLERANCES UNLESS SPECIFIED		DEC.		INCHES		LEESON	ELECTRIC MOTORS GEARMOTORS AND DRIVES	DRAWN SVL 1-11-2012	
								CHK	
		.X		±		TITLE OUTLINE 48 FR.		APPD SVL 1-11-2012	
		.XX		±.03				SCALE 3=8	
		.XXX		±.005				REF SS403994LE	
C 1.00/1.06 WAS .94/1.00 ECR 0107818		GWS 8/16/16		.XXXX		MAT'L.		FMF MU111579	
NO. REVISION		BY & DATE		CHK ANG ±7'30"		FINISH		PREV	
THIS DRAWING IN DESIGN AND DETAIL IS OUR PROPERTY AND MUST NOT BE USED EXCEPT IN CONNECTION WITH OUR WORK ALL RIGHTS OF DESIGN AND INVENTION ARE RESERVED THIS IS AN ELECTRONICALLY GENERATED DOCUMENT - DO NOT SCALE THIS PRINT				RFP 1-11-2012		CAD FILE SS403995LE		SIZE A DRAWING NO. PAGE 1 OF 1 REV. C	
				DIST WP				DRAWING NO. SS403995LE	

Uncontrolled Copy

SINGLE VOLTAGE DUAL SPEED

CCW ROTATION, LEAD END, SHOWN
TO REVERSE INTERCHANGE
YELLOW(T8) AND PURPLE(T5) LEADS.



VIEW OF TERMINAL END

LOW SPEED

BROWN — 2
YELLOW(T8) — 2

WHITE(P1) — 1

PURPLE(T5) — 4
BLACK & WHITE(T4) — 4

BLACK(T2) — 3

HIGH SPEED

BROWN — 2
YELLOW(T8) — 2

WHITE(P1) — 1

PURPLE(T5) — 4
BLACK & WHITE(T4) — 4

BLACK(T2) — 3

LINE

LINE LO SPD

LINE HI SPD

LINE

LINE

LINE

LINE

NOTE: USE T & P MARKINGS WHEN CALLED IN BOM

DRAWING REVISION E	REVISION BY PST	DATE 06/09/2014
ECO ECO-0053118	APPROVED BY SKM	DATE 06/09/2014

ECO DESCRIPTION
ADDED T & P MARKINGS

COPYRIGHT REGAL BELOIT AMERICA, INC. ALL RIGHTS RESERVED.
PROPRIETARY AND CONFIDENTIAL INFORMATION - THIS DOCUMENT IS THE PROPERTY OF
REGAL BELOIT AMERICA, INC. ("OWNER") AND CONTAINS OWNER'S PROPRIETARY
INFORMATION. ANY PERSON, CORPORATION OR OTHER FIRM RECEIVING IT IS DEEMED,
BY RECEIVING IT, TO AGREE THAT IT, AND/OR ANY PART OF IT, SHALL NOT BE DISCLOSED
TO ANY PERSON, CORPORATION OR OTHER ENTITY, DUPLICATED, AND/OR USED, EXCEPT
AS EXPRESSLY APPROVED IN WRITING IN ADVANCE BY OWNER. THIS DOCUMENT SHALL
BE RETURNED TO OWNER UPON REQUEST. IT MAY BE SUBJECT TO CERTAIN
RESTRICTIONS UNDER APPLICABLE EXPORT CONTROL LAWS AND REGULATIONS.

TOLERANCES UNLESS OTHERWISE SPECIFIED:			
DEC.	INCH	mm	ANGLE
.X	±0.1	[±2.5]	±0.5°
.XX	±0.01	[±0.25]	
.XXX	±0.005	[±0.127]	
.XXXX	±0.0005	[±0.0127]	
REMOVE BURRS & BREAK SHARP EDGES: .003/.015 [.076/.381] CORNER FILLETS: .02 [.51] MACHINED SURFACES: 125/3.2 INCH/mm			
mm SHOWN IN [BRACKETS]			

DRAWN BY VJB
DATE 01/16/13
APPROVED BY
DATE
REFERENCE
THIRD ANGLE PROJECTION

Regal Beloit America, Inc.	
DESCRIPTION CONN DIAGRAM-EXTERNAL C TYPE WITH PROTECTOR	
MATERIAL	PROCESS/FINISH
SIZE A	DRAWING NUMBER 00553201
SHEET 1 OF 1	

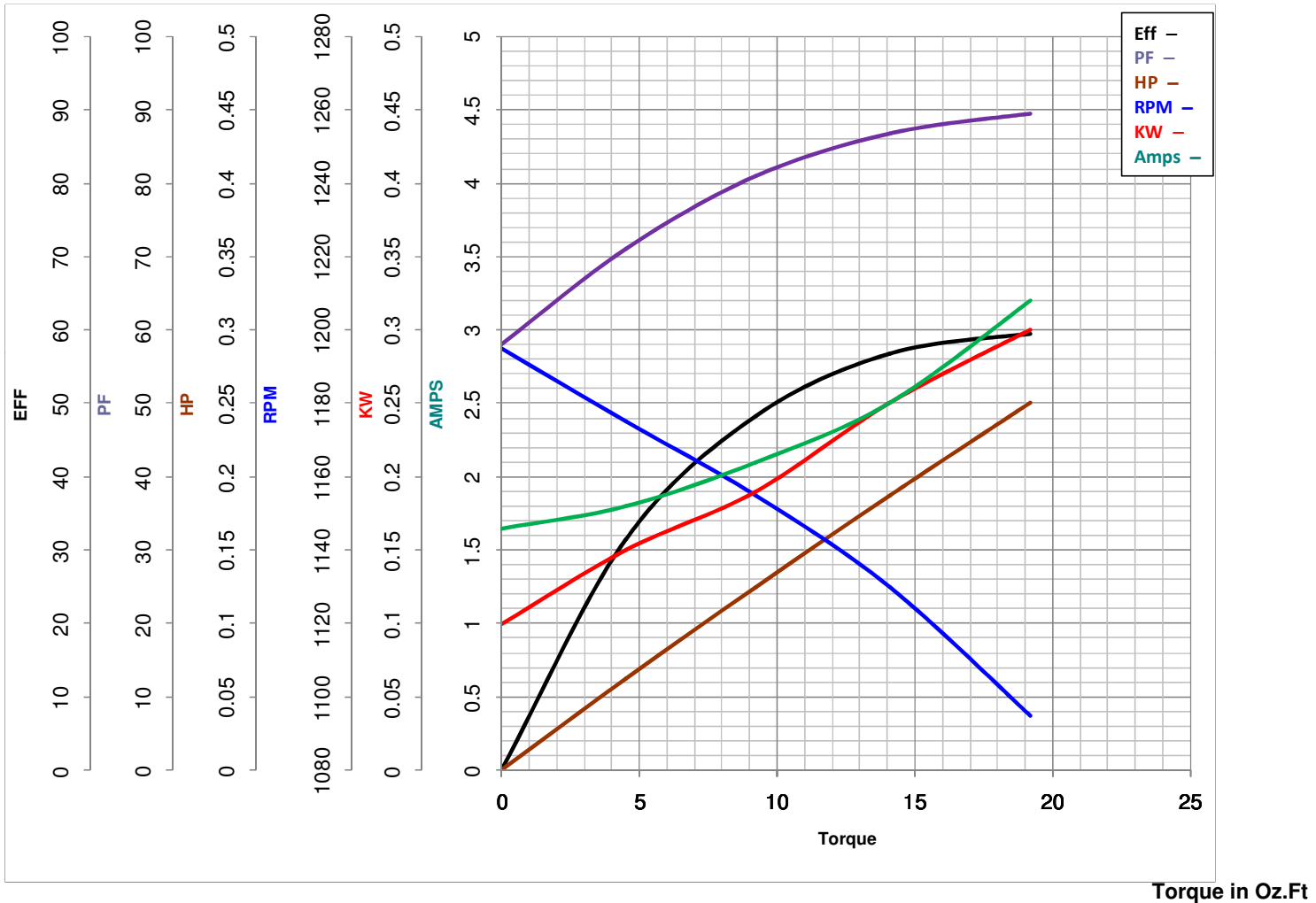


Model No 103714.00

Catalog No 103714.00

LEESON ELECTRIC CORPORATION
 TYPICAL PERFORMANCE CURVE for AC MOTOR

Curve at 115 Volts HP 0.25 PHASE 1
60 HZ
0.25 HP VOLTS 115
 HZ 60 RPM 1075



FL TORQUE	<u>19.2</u>	Oz.Ft	FL AMPS	<u>3.2</u>	
BD TORQUE	<u>26.7</u>	Oz.Ft	PU TORQUE	<u>7.1</u>	Oz.Ft
LR TORQUE	<u>7.9</u>	Oz.Ft	LR AMPS	<u>7.3</u>	
WINDING	PE4861979-1		Date	4/11/2018	