

# PRODUCT INFORMATION PACKET



Model No: 113901.00  
Catalog No: 113901.00  
0.50 HP Special Voltage Motor, 1 phase, 3000 RPM, 110/220 V, 56 Frame, ODP  
50 Hz Motors



Regal and Leeson are trademarks of Regal Beloit Corporation or one of its affiliated companies.  
©2020 Regal Beloit Corporation, All Rights Reserved. MC017097E





### Nameplate Specifications

Output HP	0.50 Hp	Output KW	0.37 kW
Frequency	50 Hz	Voltage	110/220 V
Current	7.6/3.8 A	Speed	2850 rpm
Service Factor	1.25	Phase	1
Efficiency	70 %	Power Factor	71
Duty	Continuous	Insulation Class	B
Design Code	L	KVA Code	K
Frame	56	Enclosure	Drip Proof
Thermal Protection	No	Ambient Temperature	40 °C
Drive End Bearing Size	6203	Opp Drive End Bearing Size	6203
UL	Recognized	CSA	Y
CE	Y	IP Code	22

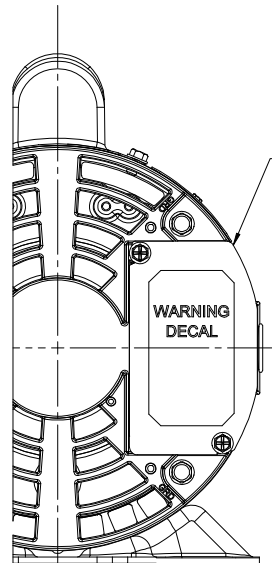
### Technical Specifications

Electrical Type	Capacitor Start Induction Run	Starting Method	Across The Line
Poles	2	Rotation	Selective Counterclockwise
Resistance Main	3.68 Ohms	Mounting	Rigid base
Motor Orientation	Horizontal	Drive End Bearing	Ball
Opp Drive End Bearing	Ball	Frame Material	Rolled Steel
Shaft Type	NEMA 56	Overall Length	10.34 in
Frame Length	5.50 in	Shaft Diameter	0.625 in
Shaft Extension	1.88 in	Assembly/Box Mounting	F1 ONLY
Outline Drawing	028601-550A	Connection Drawing	005390.01

This is an uncontrolled document once printed or downloaded and is subject to change without notice. Date Created:14/10/2020

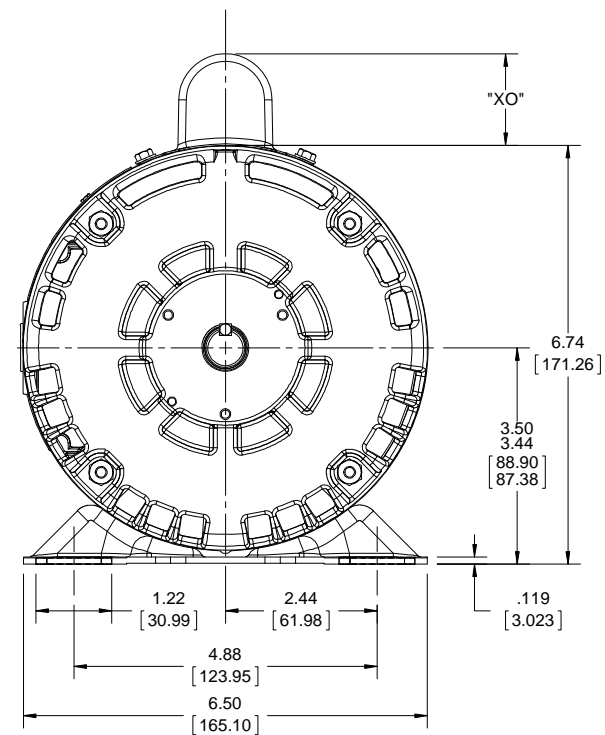
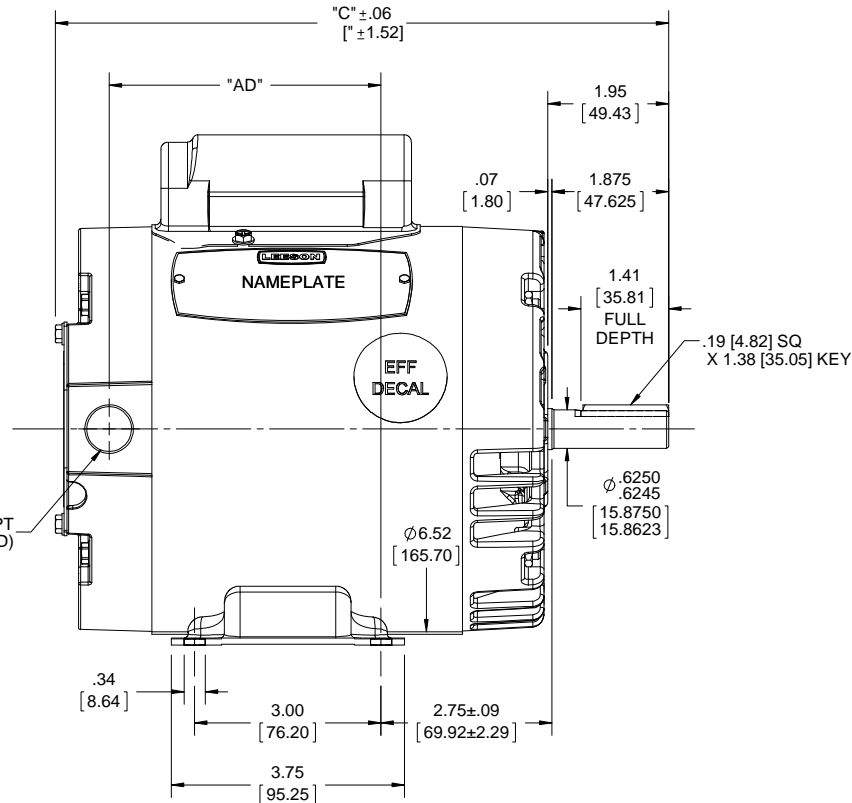
B

B



DECAL CONNECTION UNDER COVER (WHEN REQ'D)

(1) 1/2-14 NPT (PLUGGED)



A

A

DASH NO.	"C"	"AD"	CAP DASH.	"XO"
500	9.87 [250.70]	4.38 [111.25]		
550	10.37 [263.40]	4.88 [123.95]	A	1.48 [37.59]
600	10.87 [276.10]	5.38 [136.65]	B	1.94 [49.28]
650	11.37 [288.80]	5.88 [149.35]	C	2.19 [55.62]
700	11.87 [301.50]	6.38 [162.05]		

4

DRAWING REVISION C	REVISION BY A.SUPPANAVER	DATE 12/21/2017
ECO ECO-0143018	APPROVED BY PK	DATE 04/10/2018
ECO DESCRIPTION OUTLINE CONVERSION PROJECT		
<small>COPYRIGHT REGAL BELOIT AMERICA, INC. ALL RIGHTS RESERVED.          PROPRIETARY AND CONFIDENTIAL INFORMATION - THIS DOCUMENT IS THE PROPERTY OF          REGAL BELOIT AMERICA, INC. ("OWNER") AND CONTAINS OWNER'S PROPRIETARY          INFORMATION. ANY PERSON, CORPORATION OR OTHER FIRM RECEIVING IT IS DEEMED,          BY RECEIVING IT, TO AGREE THAT IT, AND/OR ANY PART OF IT, SHALL NOT BE DISCLOSED          TO ANY PERSON, CORPORATION OR OTHER ENTITY, DUPLICATED, AND/OR USED, EXCEPT          AS EXPRESSLY APPROVED IN WRITING IN ADVANCE BY OWNER. THIS DOCUMENT SHALL          BE RETURNED TO OWNER UPON REQUEST. IT MAY BE SUBJECT TO CERTAIN          RESTRICTIONS UNDER APPLICABLE EXPORT CONTROL LAWS AND REGULATIONS.</small>		

3

TOLERANCES UNLESS OTHERWISE SPECIFIED:			
DEC.	INCH	mm	ANGLE
.X	±0.1	[±2.5]	±0.5°
.XX	±0.03	[±0.76]	
.XXX	±0.005	[±0.127]	
.XXXX	±0.0005	[±0.0127]	
REMOVE BURRS & BREAK SHARP EDGES: .003/.015 [0.076/.381] X 45°			
CORNER FILLETS: R.02 [51]			
MACHINED SURFACES: 125/3.2			
mm SHOWN IN [BRACKETS]			

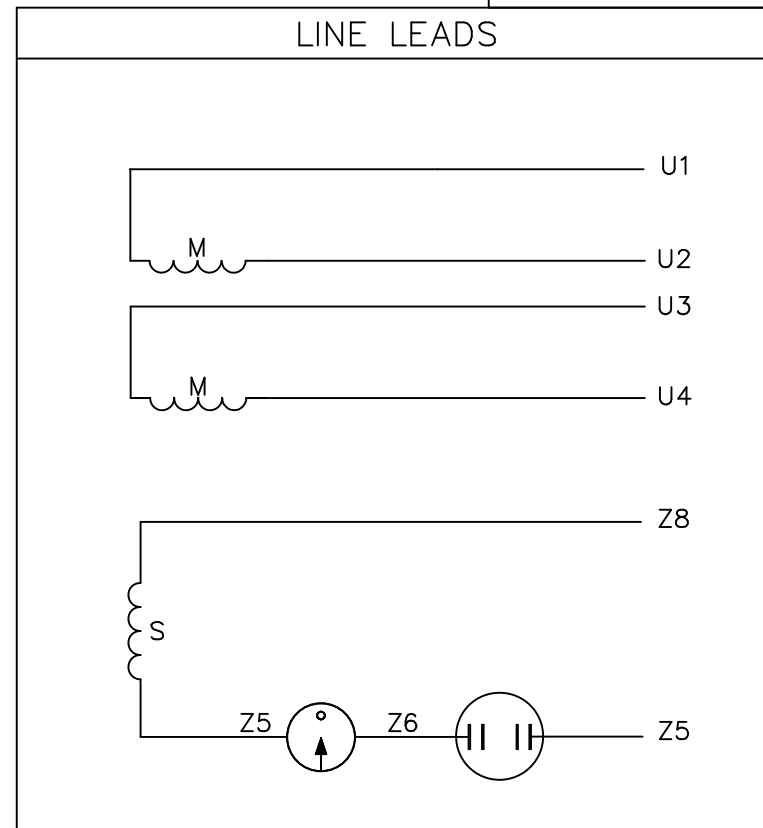
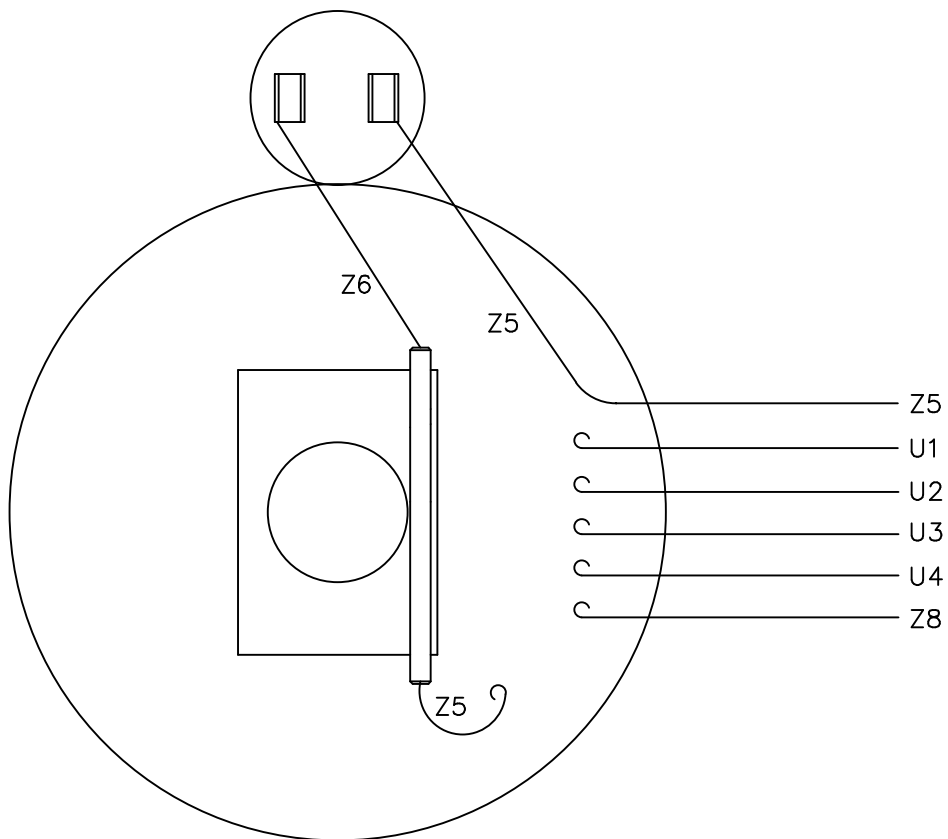
2

DRAWN BY RDW
DATE 7/1/04
APPROVED BY SW
DATE 7/1/04
REFERENCE 028601
THIRD ANGLE PROJECTION

Regal Beloit America, Inc.	
DESCRIPTION OUTLINE 56-FRAME DRIP PROOF -RIGID	
MATERIAL	PROCESS/FINISH
SIZE B	DRAWING NUMBER 028601
	SHEET 1 OF 1

1

VIEW FROM OUTSIDE OF MOTOR AT SWITCH END.



	ROTATION FACING LEAD END	L1	L2	JOIN
HIGH VOLT	C.C.W.	U1	U4 Z5	U2,U3 Z8
	C.W.	U1	U4 Z8	U2,U3 Z5
LOW VOLT	C.C.W.	U1,U3 Z8	U2,U4 Z5	---
	C.W.	U1,U3 Z5	U2,U4 Z8	---

NO.	REVISION	BY & DATE	CHK	TOLERANCES UNLESS SPECIFIED	
				DEC.	INCHES
				.X	±.1
				.XX	±.01
				.XXX	±.005
				.XXXX	±.0005
				ANG	±1/2°



ELECTRIC MOTORS  
GEARMOTORS  
AND DRIVES

DRAWN	RSK 09/09/96
CHK	
APPD	
SCALE	1=1
REF	005005-01
FMF	114964.00
PREV	

TITLE	EXTERNAL WIRING DIAGRAM TYPE "C" W/O PROTECTOR
MAT'L.	DECAL - 080642
FINISH	LEESON CANADA
CAD FILE	00539001
SIZE	A
DRAWING NO.	005390-01

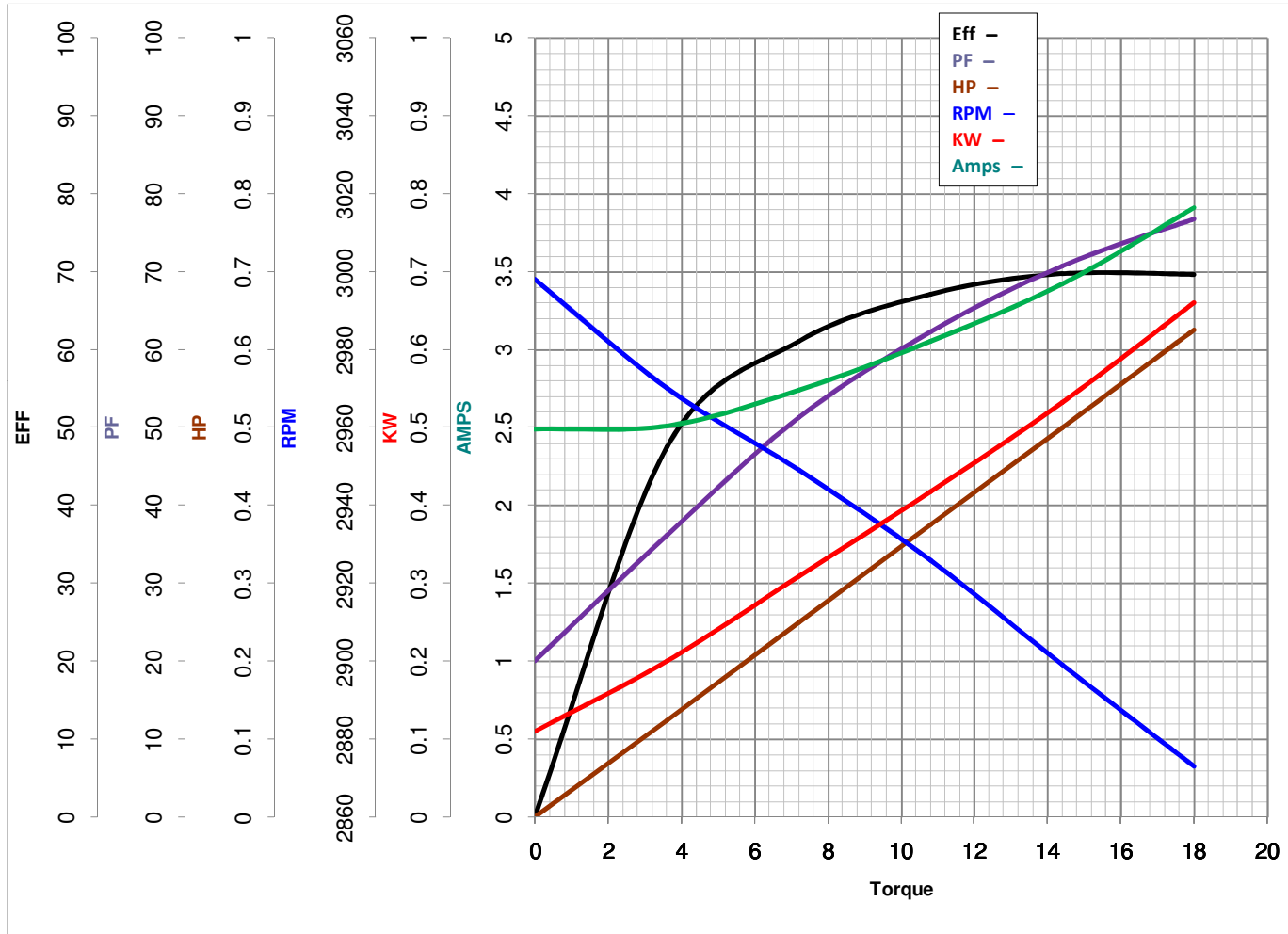


**LEESON ELECTRIC CORPORATION**  
TYPICAL PERFORMANCE CURVE for AC MOTOR

Model No 113901.00

Catalog No 113901.00

Curve at 220 Volts      HP 0.50      PHASE 1  
50 HZ  
0.5 HP      VOLTS 110/220  
HZ 50      RPM 2850



Torque in Oz.Ft

FL TORQUE 14.4 Oz.Ft  
 BD TORQUE 45.0 Oz.Ft  
 LR TORQUE 50 Oz.Ft

FL AMPS 7.6/3.8  
 PU TORQUE 36.0 Oz.Ft  
 LR AMPS 19.6

WINDING C632229-4

Date 3/23/2018