

PRODUCT INFORMATION PACKET



Model No: 113912.00
Catalog No: 113912.00
0.50 HP Special Voltage Motor, 1 phase, 3000 RPM, 110/220 V, 56C Frame, TEFC
50 Hz Motors



Regal and Leeson are trademarks of Regal Beloit Corporation or one of its affiliated companies.
©2020 Regal Beloit Corporation, All Rights Reserved. MC017097E





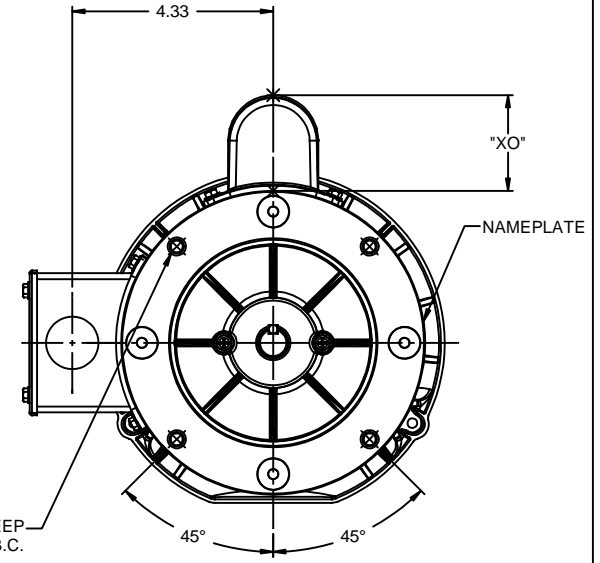
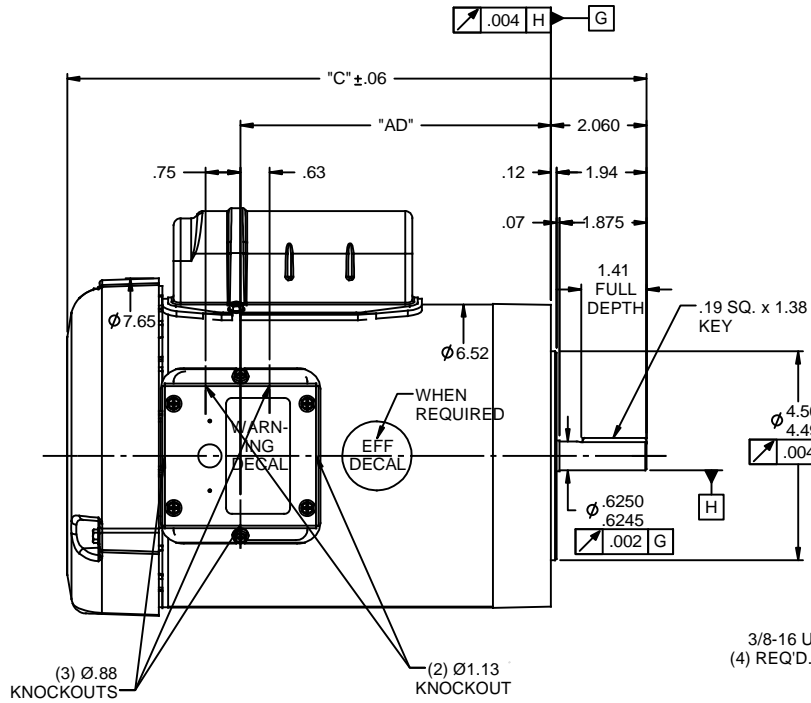
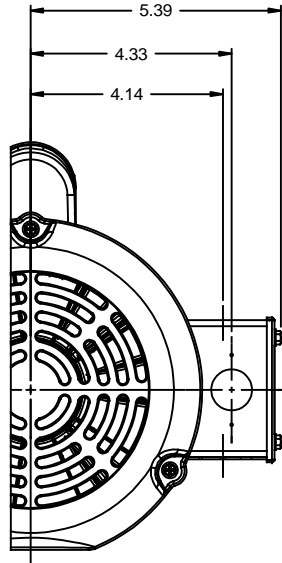
Nameplate Specifications

Output HP	0.50 Hp	Output KW	0.37 kW
Frequency	50 Hz	Voltage	110/220 V
Current	7.6/3.8 A	Speed	2850 rpm
Service Factor	1	Phase	1
Efficiency	70 %	Power Factor	71
Duty	Continuous	Insulation Class	B
Design Code	N	KVA Code	K
Frame	56C	Enclosure	Totally Enclosed Fan Cooled
Thermal Protection	No	Ambient Temperature	40 °C
Drive End Bearing Size	6203	Opp Drive End Bearing Size	6203
UL	Recognized	CSA	Y
CE	Y	IP Code	54

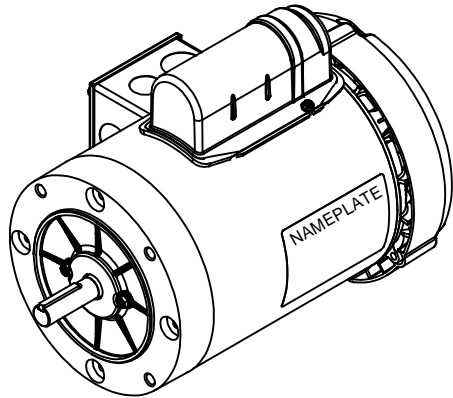
Technical Specifications

Electrical Type	Capacitor Start Induction Run	Starting Method	Across The Line
Poles	2	Rotation	Selective Counterclockwise
Resistance Main	3.68 Ohms	Mounting	Round
Motor Orientation	Horizontal	Drive End Bearing	Ball
Opp Drive End Bearing	Ball	Frame Material	Rolled Steel
Shaft Type	NEMA 56	Overall Length	11.48 in
Frame Length	6.00 in	Shaft Diameter	0.625 in
Shaft Extension	1.88 in	Assembly/Box Mounting	F1 ONLY
Connection Drawing	005390.01	Outline Drawing	028854-600A

This is an uncontrolled document once printed or downloaded and is subject to change without notice. Date Created:14/10/2020



3/8-16 UNC-2B x .56 DEEP
 (4) REQD. ON A Ø5.875 B.C.



DASH NO.	"C"	"AD"	CAP DASH XO	
500	10.48	4.69	A	1.61
550	10.98	5.19	B	2.08
600	11.48	5.69	C	2.32
650	11.98	6.19		
700	12.48	6.69		
750	12.98	7.19		
800	13.48	7.69		
850	13.98	8.19		

NOTES:
 1) GASKETS THROUGHOUT

REVISION		BY & DATE	CHK	ANG	±1/2"	FINISH	SIZE	DRAWING NO	REV
02	ADDED ISOMETRIC VIEW AS PER ISAAC #08-4017	GRB 9/5/2008	DJ	XXX	±.005		B	028854	02
01	ADDED "XO" DIMENSION	SRS 8/28/2008		XXX	±.0005				



**ELECTRIC MOTORS
 GEARMOTORS
 AND DRIVES**

DRAWN GRB 07/17/2008

CHK DJ 07/17/2008

APPR

SCALE 3:8

REF 028852

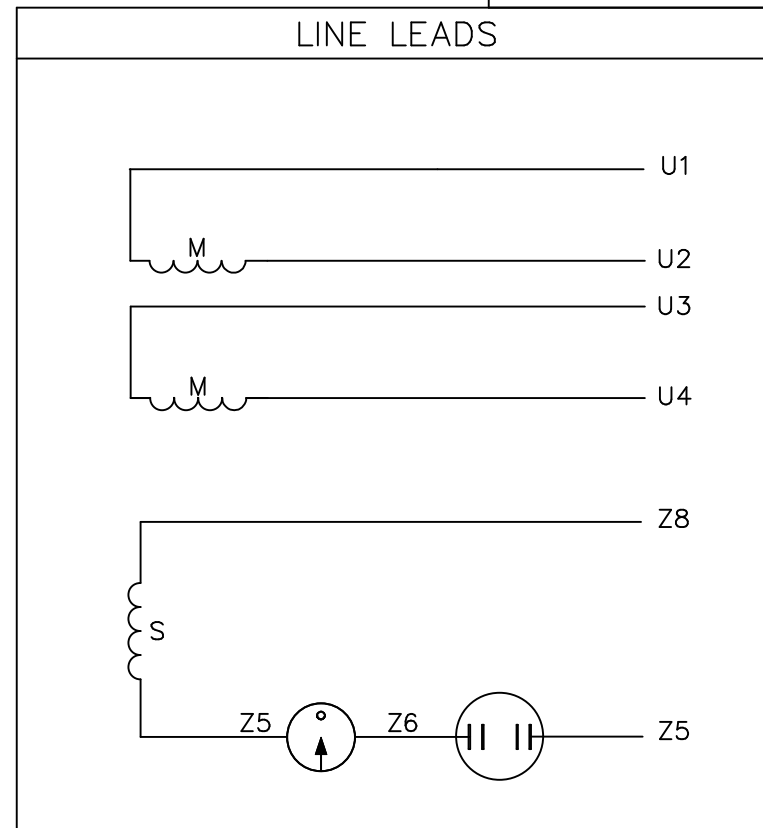
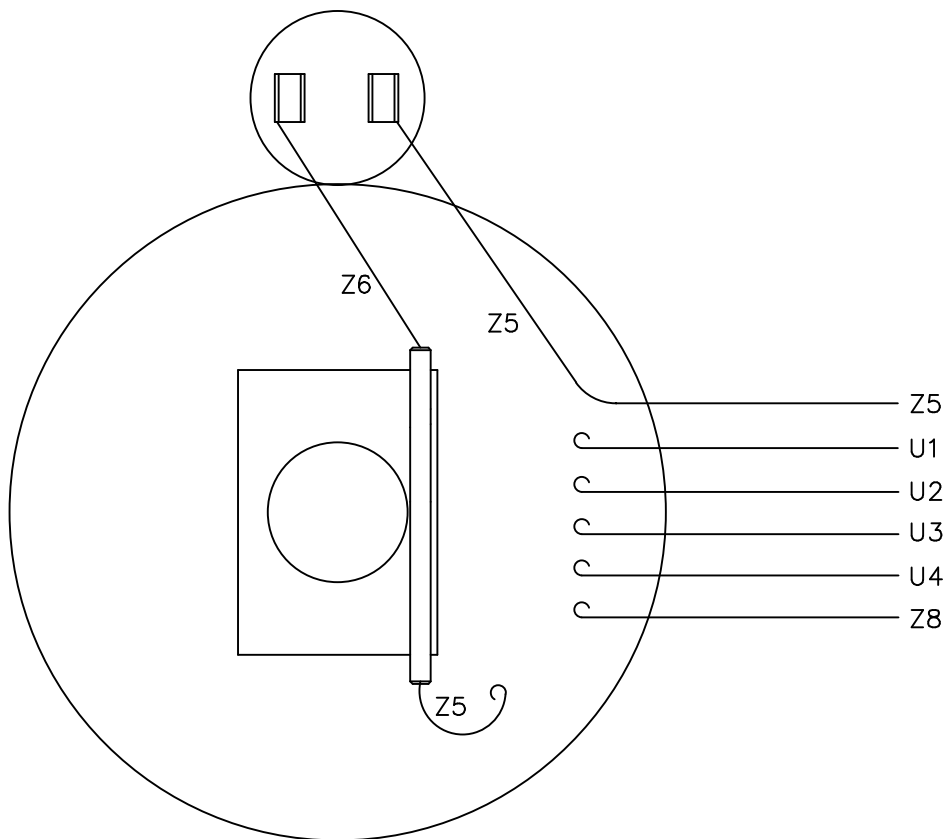
FMF 110419.00

PAGE OF



NETWORK FILE NAME 028854

VIEW FROM OUTSIDE OF MOTOR AT SWITCH END.



	ROTATION FACING LEAD END	L1	L2	JOIN
HIGH VOLT	C.C.W.	U1	U4 Z5	U2,U3 Z8
	C.W.	U1	U4 Z8	U2,U3 Z5
LOW VOLT	C.C.W.	U1,U3 Z8	U2,U4 Z5	---
	C.W.	U1,U3 Z5	U2,U4 Z8	---

NO.	REVISION	BY & DATE	CHK	TOLERANCES UNLESS SPECIFIED	
				DEC.	INCHES
				.X	±.1
				.XX	±.01
				.XXX	±.005
				.XXXX	±.0005
				ANG	±1/2°



ELECTRIC MOTORS
GEARMOTORS
AND DRIVES

DRAWN	RSK 09/09/96
CHK	
APPD	
SCALE	1=1
REF	005005-01
FMF	114964.00
PREV	

TITLE	EXTERNAL WIRING DIAGRAM TYPE "C" W/O PROTECTOR
MAT'L.	DECAL - 080642
FINISH	LEESON CANADA
CAD FILE	00539001
SIZE	A
DRAWING NO.	005390-01



CERTIFICATION DATA SHEET

1051 CHEYENNE AVE.
 GRAFTON, WI 53024
 PH. 262-377-8810

CONN. DIAGRAM: 005390.01

CATALOG #: 113912.00

OUTLINE: 028854-600A

MOUNTING: F1 ONLY

WINDING #: C632229 FR 4 B

TYPICAL MOTOR PERFORMANCE DATA

HP	KW	SYNC. RPM	F.L. RPM	FRAME	ENCLOSURE	KVA CODE	DESIGN
1/2	0.37	3000	2850	56C	TEFC	K	N

PH	Hz	VOLTS	AMPS	START TYPE	DUTY	INSL	S.F.	AMB°C
1	50	110/220	7.6/3.8	CROSS THE LINE	CONTINUOUS	B4	1.0	40

FULL LOAD EFF:	70	3/4 LOAD EFF:	67.1	1/2 LOAD EFF:	61	GTD. EFF		ELEC. TYPE
FULL LOAD PF:	71	3/4 LOAD PF:	62.3	1/2 LOAD PF:	51.3	66		CAP START IND RUN

F.L. TORQUE	LOCKED ROTOR AMPS	L.R. TORQUE	B.D. TORQUE	F.L. RISE°C
14.4 OZ-FT	38 / 19	50 OZ-FT	347 %	45 OZ-FT
				312 %
				50

SOUND PRESSURE @ 3 FT.	SOUND POWER	ROTOR WK^2	MAX. WK^2	SAFE STALL TIME	STARTS / HOUR	APPROX. MOTOR WGT
0 DBA	10 DBA	0.037 LB-FT^2	0 LB-FT^2	0 SEC.	0	28 LBS.

*** SUPPLEMENTAL INFORMATION ***

DE BRACKET TYPE	ODE BRACKET TYPE	MOUNT TYPE	ORIENTATION	SEVERE DUTY	HAZARDOUS LOCATION	DRIP COVER	SCREENS	PAINT
C-FACE	STANDARD	ROUND	HORIZONTAL	FALSE	NONE	FALSE	NONE	BLUE - LEESON (ENAMEL)

BEARINGS DE ODE		GREASE	SHAFT TYPE	SPECIAL DE	SPECIAL ODE	SHAFT MATERIAL	FRAME MATERIAL
BALL	BALL	POLYREX EM	STANDARD 56	NONE	NONE	1144 STRESSPROOF (C-223)	ROLLED STEEL
6203	6203						

THERMO-PROTECTORS				THERMISTORS	CONTROL	SPACE HEATERS
THERMOSTATS	PROTECTORS	WDG RTDS	BRG RTDS			
NONE	NOT	NONE	NONE	NONE	FALSE	NONE

*

INVERTER TORQUE: NONE
 INV. HP SPEED RANGE: NONE

ENCODER:	NONE
	NONE
	NONE
	PPR

BRAKE:	NONE	NONE
	NONE	P/N NONE
	NONE	NONE
	FT-LB	NONE V NONE HZ

S



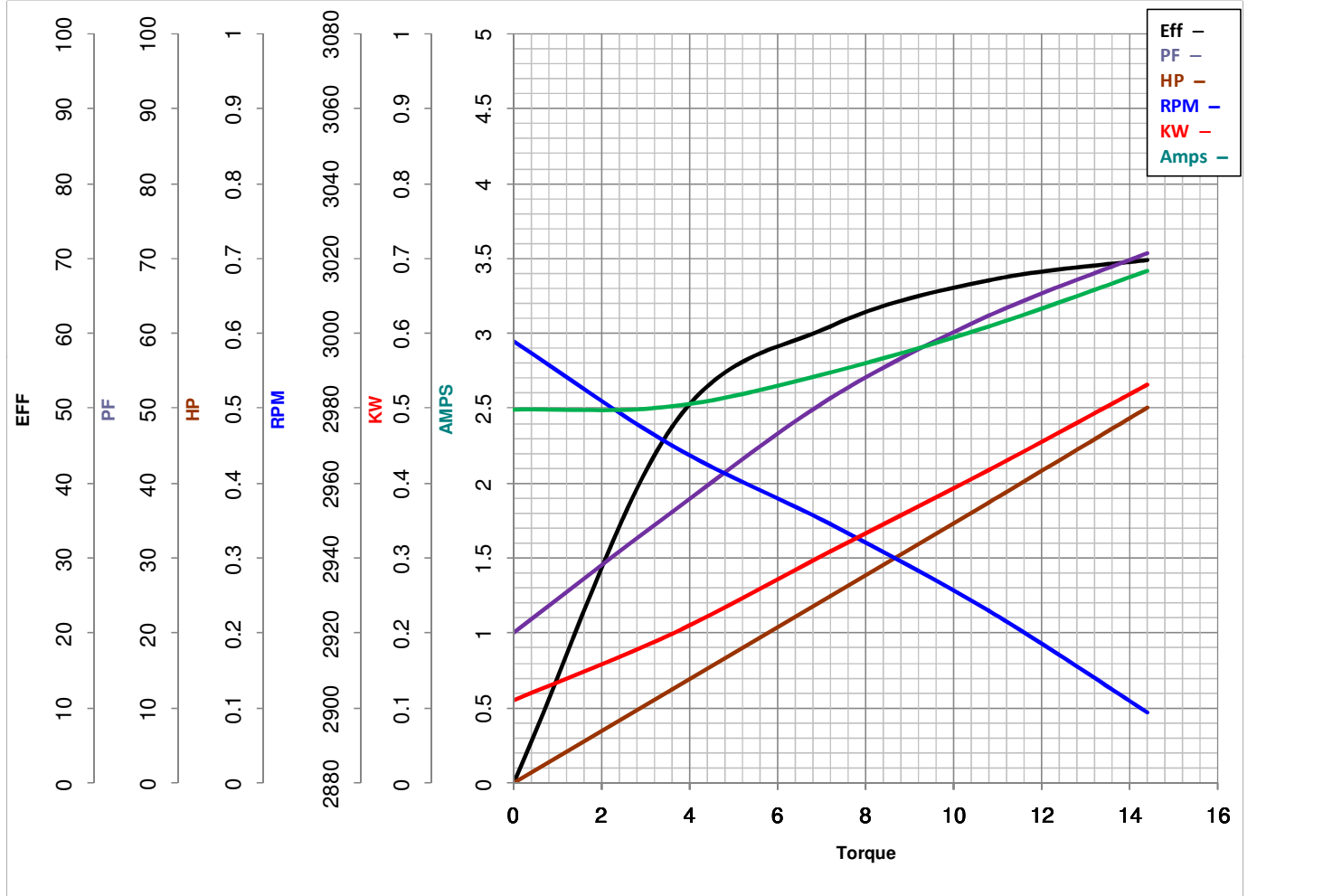
LEESON ELECTRIC CORPORATION
TYPICAL PERFORMANCE CURVE for AC MOTOR

Model No 113912.00

Curve at 220 Volts HP 0.50 PHASE 1
50 HZ
0.5 HP VOLTS 110/220

Catalog No 113912.00

HZ 50 RPM 2850



Torque in Oz.Ft

FL TORQUE 14.4 Oz.Ft
BD TORQUE 45.0 Oz.Ft
LR TORQUE 50 Oz.Ft

FL AMPS 7.6/3.8
PU TORQUE 36.0 Oz.Ft
LR AMPS 19

WINDING C632229-4

Date 4/12/2018